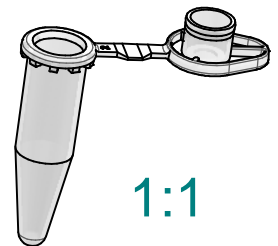
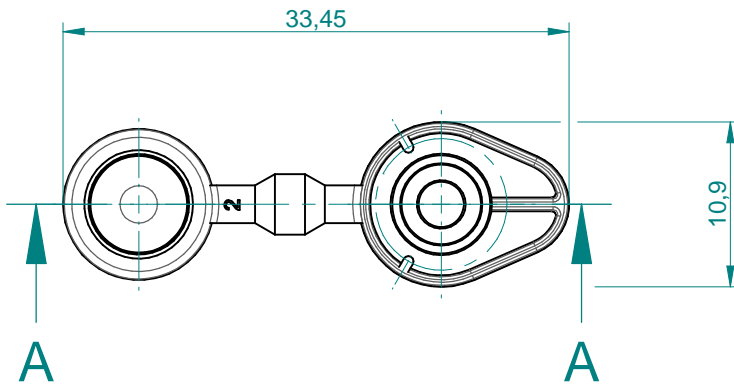
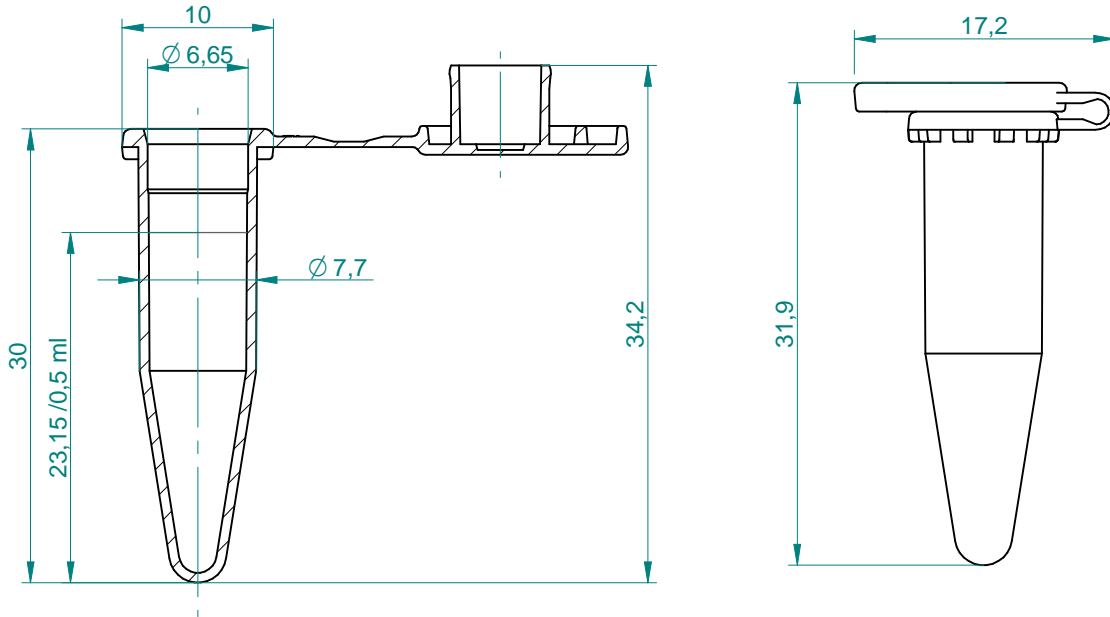


Valid for Item-No.: 667201



"All dimensions in mm"

Customer drawing subject to change without notice!

Uncontrolled Copy

Prior Issue	Drawn	Approved	Released	CONFIDENTIAL: Information contained in this document or drawing is confidential and proprietary to Greiner Bio-One GmbH. This document may not be reproduced for any reason without written permission from Greiner Bio-One GmbH. All rights of design, invention, and copyright are reserved.
Revision	Date	Date	Date	
-	06.05.2020	May 2020	May 2020	
Date	Name	Name	Name	
-	N. Schöfecker	F. Öfferlbauer	Ch. Rathner	