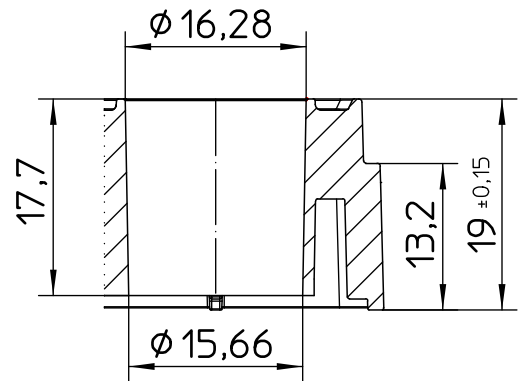
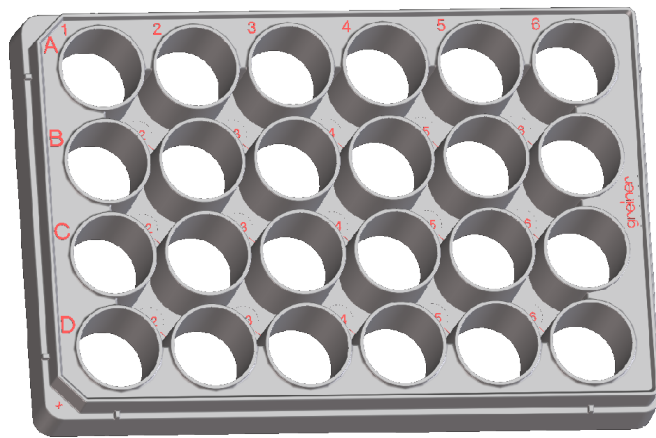
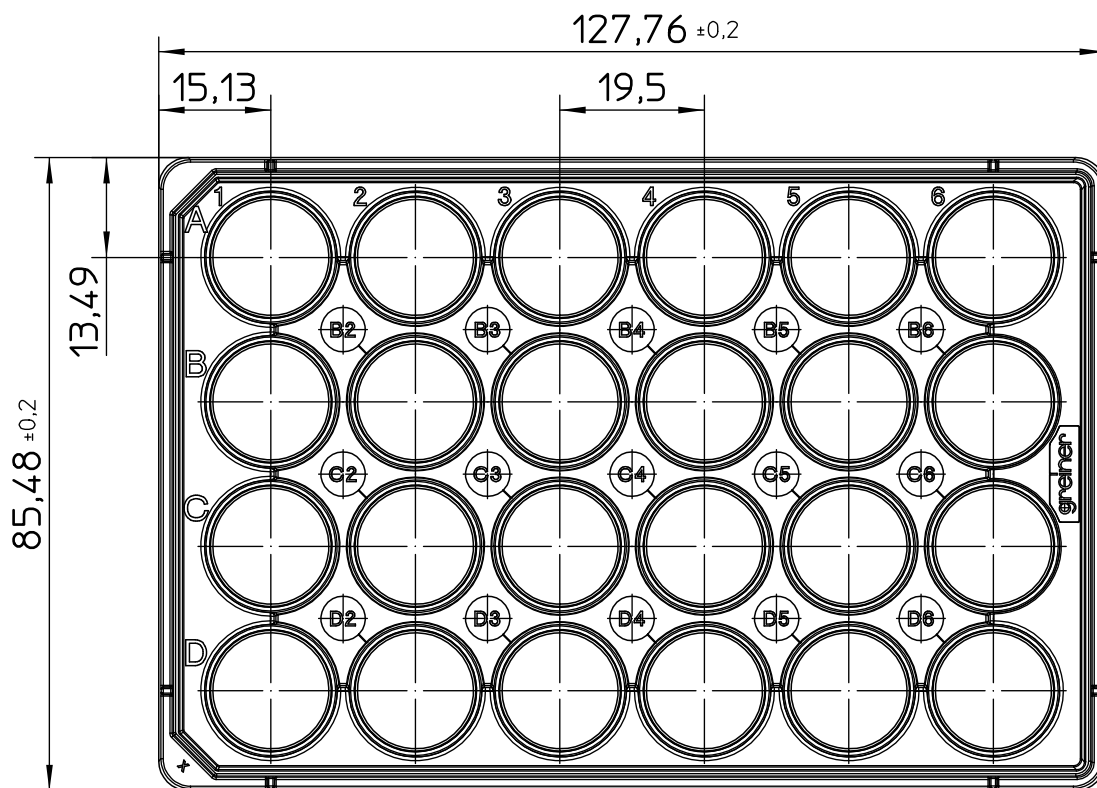
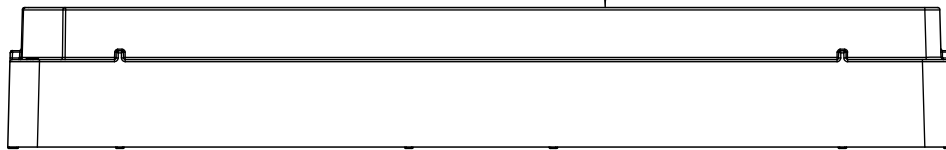


Valid for Item-No.: 662892, 662896



Curvature 0,2



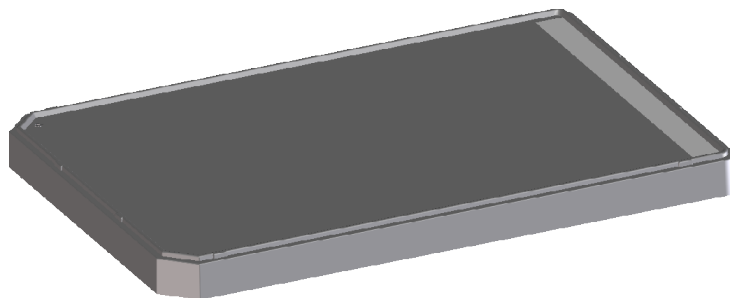
"All dimensions in mm"

Customer drawing subject to change without notice!

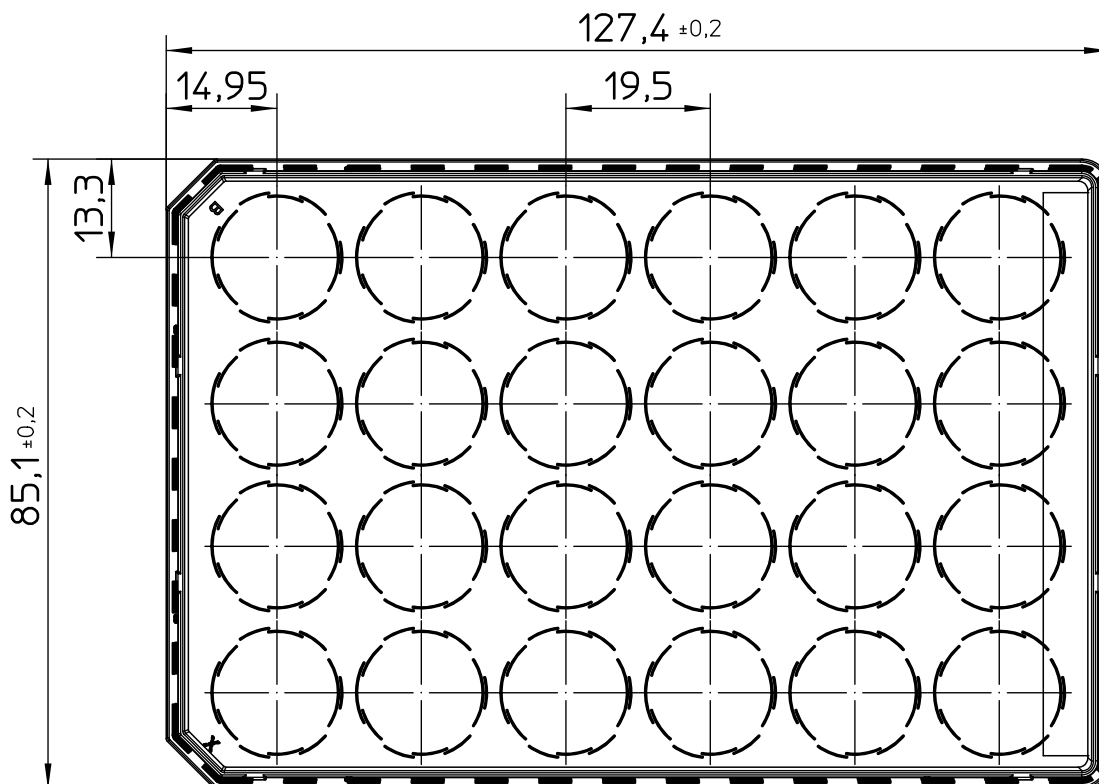
Uncontrolled Copy

Prior Issue	Drawn	Approved	Released	CONFIDENTIAL: Information contained in this document or drawing is confidential and proprietary to Greiner Bio-One GmbH. This document may not be reproduced for any reason without written permission from Greiner Bio-One GmbH. All rights of design, invention, and copyright are reserved.
Revision 8	Date 2011/04/19	Date 2024/09/20	Date 2024/09/20	
Date 2022/10/27	Name forb	Name kleber	Name ziegler	

Valid for Item-No.: 662892, 662896



Curvature  $+0,3$   
 $-0,1$



Only Part-No. 662892 with lid

"All dimensions in mm"

Customer drawing subject to change without notice!

Uncontrolled Copy

Prior Issue	Drawn	Approved	Released	CONFIDENTIAL: Information contained in this document or drawing is confidential and proprietary to Greiner Bio-One GmbH. This document may not be reproduced for any reason without written permission from Greiner Bio-One GmbH. All rights of design, invention, and copyright are reserved.
Revision 8	Date 2011/04/19	Date 2024/09/20	Date 2024/09/20	
Date 2022/10/27	Name forb	Name kleber	Name ziegler	