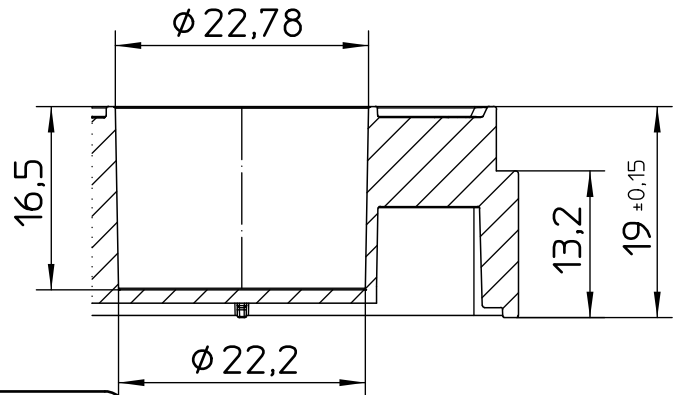
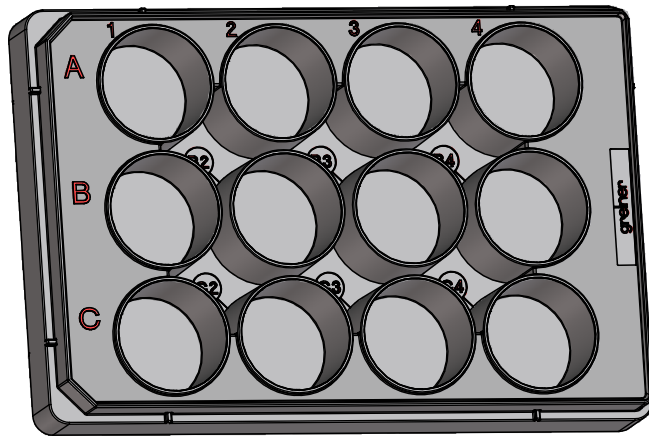
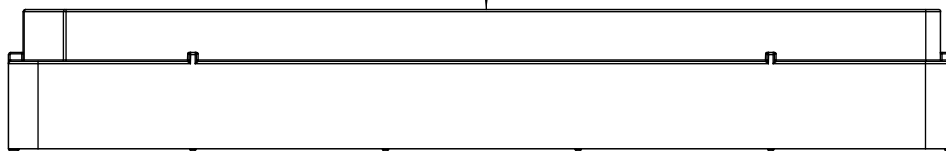


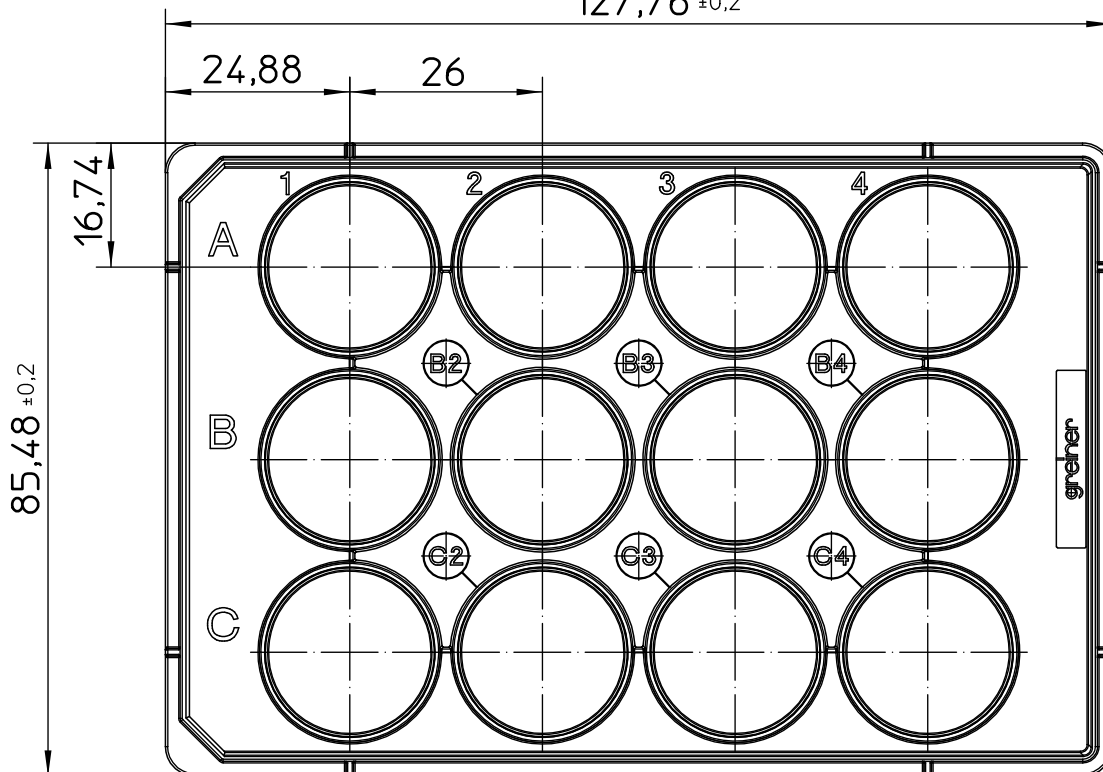
Valid for Item-No.: 665102, 665180, 665970



Curvature +0,2
-0,1



127,76 ±0,2



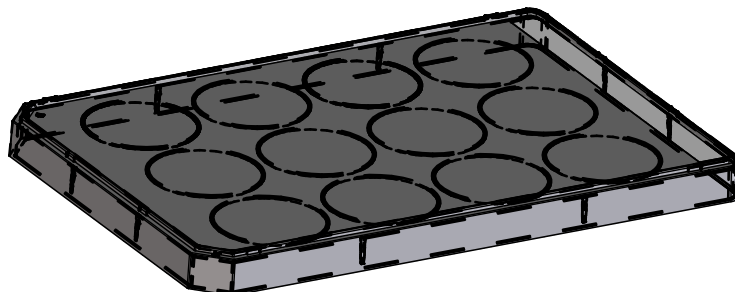
"All dimensions in mm"

Customer drawing subject to change without notice!

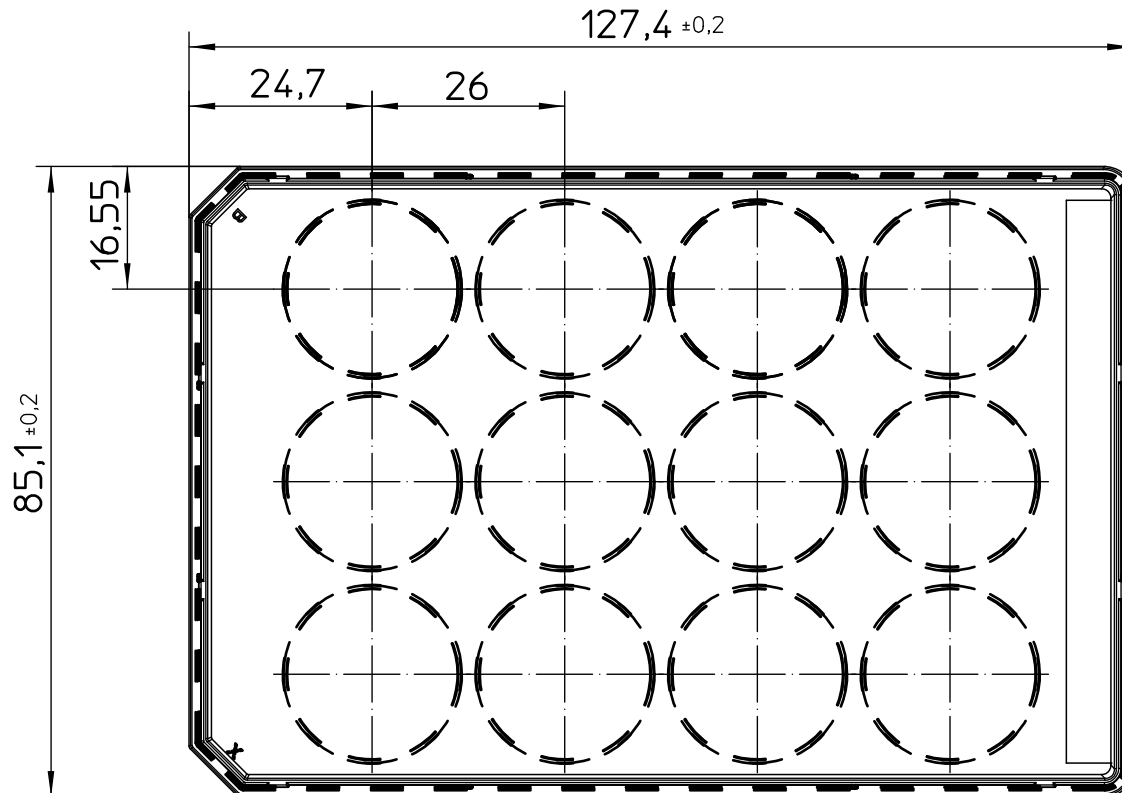
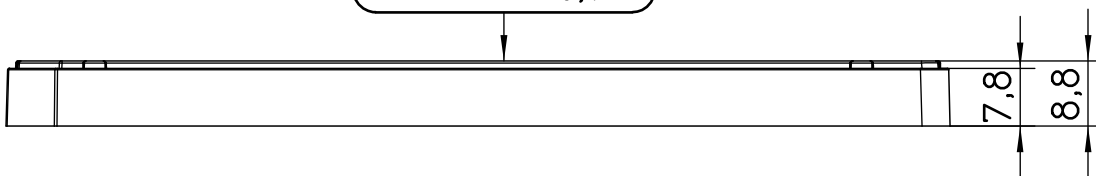
Uncontrolled Copy

Prior Issue	Drawn	Approved	Released	CONFIDENTIAL: Information contained in this document or drawing is confidential and proprietary to Greiner Bio-One GmbH. This document may not be reproduced for any reason without written permission from Greiner Bio-One GmbH. All rights of design, invention, and copyright are reserved.
Revision 5	Date 2011/04/19	Date 2022/11/04	Date 2022/11/07	
Date 2020/04/02	Name forb	Name forb	Name kleber	

Valid for Item-No.: 665102, 665180, 665970



Curvature +0,3
-0,1



"All dimensions in mm"

Customer drawing subject to change without notice!

Uncontrolled Copy

Prior Issue	Drawn	Approved	Released	CONFIDENTIAL: Information contained in this document or drawing is confidential and proprietary to Greiner Bio-One GmbH. This document may not be reproduced for any reason without written permission from Greiner Bio-One GmbH. All rights of design, invention, and copyright are reserved.
Revision 5	Date 2011/04/19	Date 2022/11/04	Date 2022/11/07	
Date 2020/04/02	Name forb	Name forb	Name kleber	