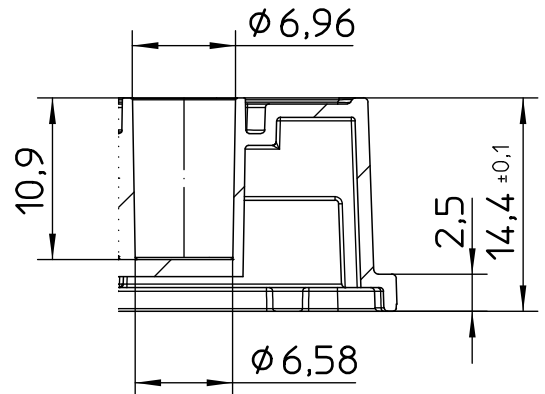
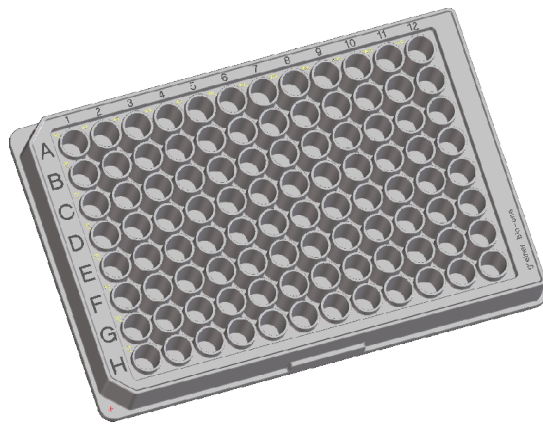
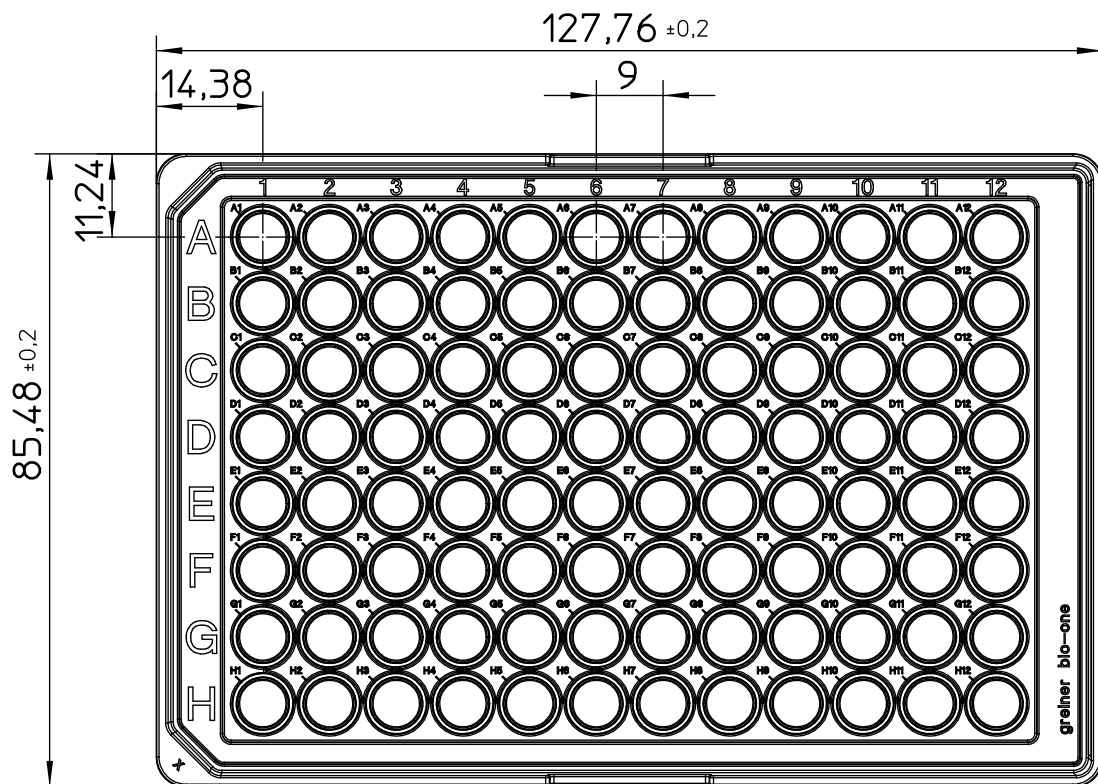
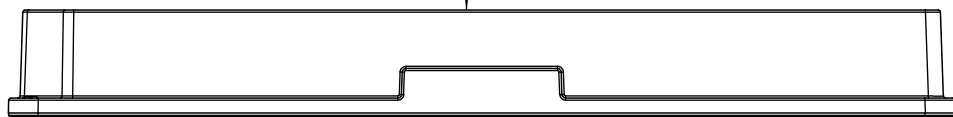


Valid for Item-No.: 655901, 655930, 655940, 655950, 655970, 655980, 655982



Curvature \updownarrow Max.Diff 0.20



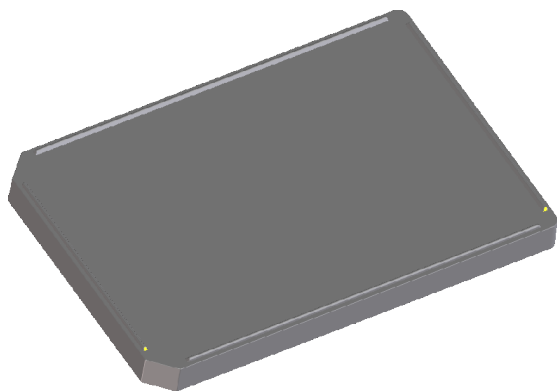
"All dimensions in mm"

Customer drawing subject to change without notice!

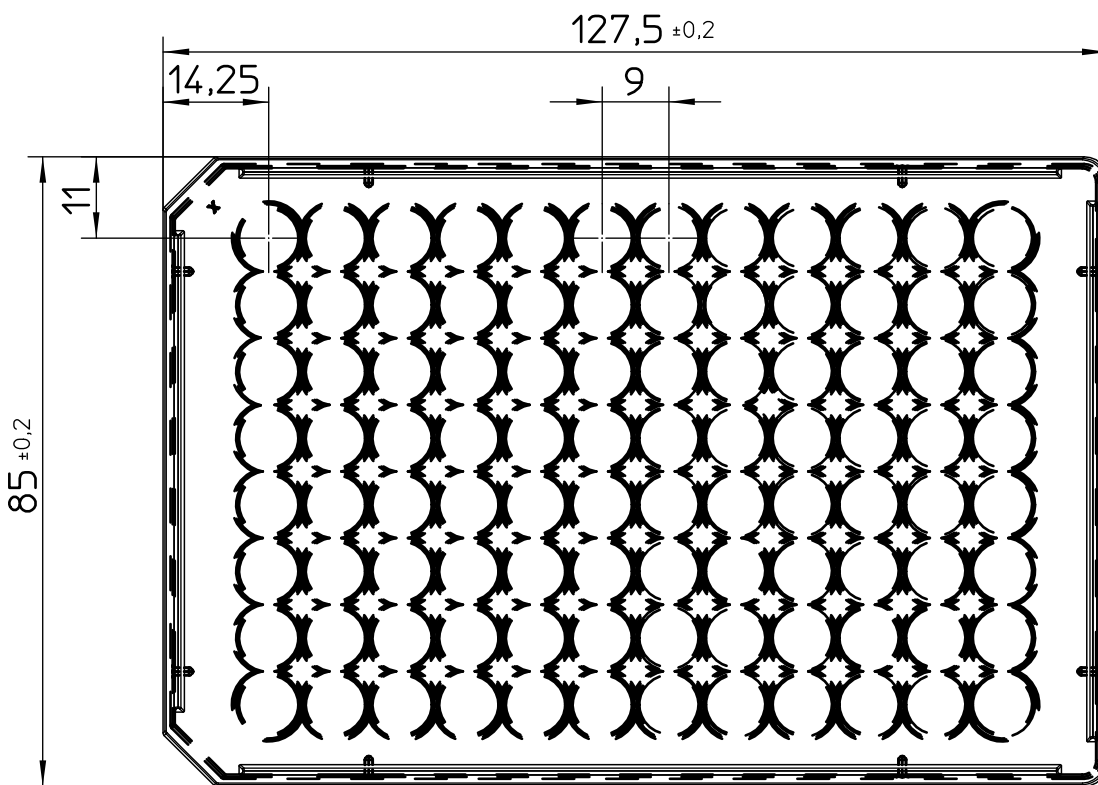
Uncontrolled Copy

Prior Issue	Drawn	Approved	Released	CONFIDENTIAL: Information contained in this document or drawing is confidential and proprietary to Greiner Bio-One GmbH. This document may not be reproduced for any reason without written permission from Greiner Bio-One GmbH. All rights of design, invention, and copyright are reserved.
Revision	Date 2018/11/29	Date 2020/09/28	Date 2020/09/28	
Date	Name forb	Name forb	Name sonntag	

Valid for Item-No.: 655901, 655930, 655940, 655950, 655970, 655980, 655982



Curvature \updownarrow Max.Diff 0.30



"All dimensions in mm"

Customer drawing subject to change without notice!

Uncontrolled Copy

Prior Issue	Drawn	Approved	Released	CONFIDENTIAL: Information contained in this document or drawing is confidential and proprietary to Greiner Bio-One GmbH. This document may not be reproduced for any reason without written permission from Greiner Bio-One GmbH. All rights of design, invention, and copyright are reserved.
Revision	Date 2018/11/29	Date 2020/09/28	Date 2020/09/28	
Date	Name forb	Name forb	Name sonntag	