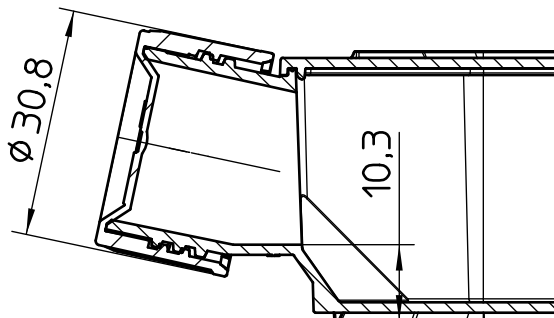
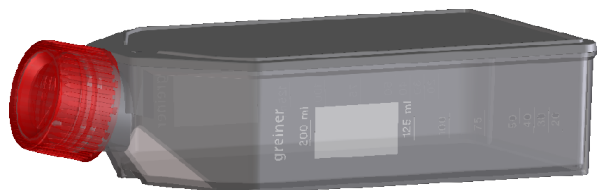
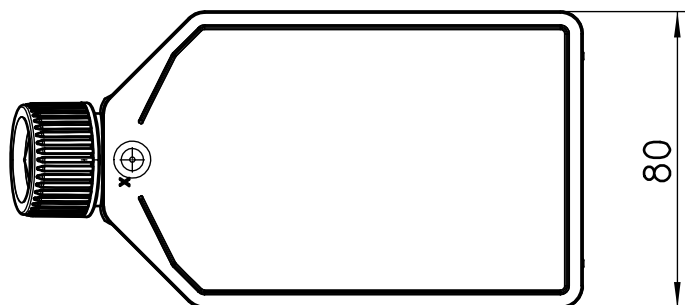
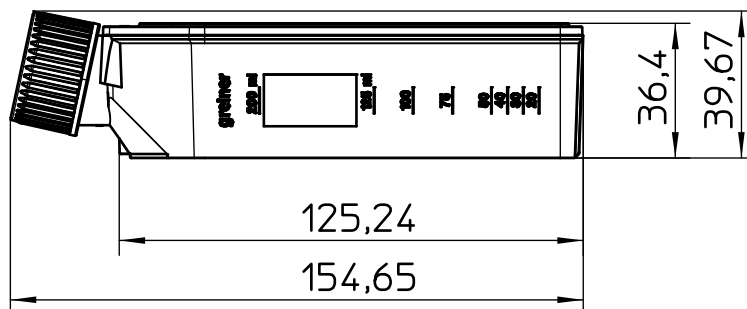


Valid for Item-No.: 658970, 658975



Curvature +0,6
-0,1



"All dimensions in mm"

Customer drawing subject to change without notice!

Uncontrolled Copy

Prior Issue	Drawn	Approved	Released	CONFIDENTIAL: Information contained in this document or drawing is confidential and proprietary to Greiner Bio-One GmbH. This document may not be reproduced for any reason without written permission from Greiner Bio-One GmbH. All rights of design, invention, and copyright are reserved.
Revision 6	Date 2011/08/05	Date 2022/11/10	Date 2022/11/10	
Date 2021/03/04	Name forb	Name kleber	Name forb	