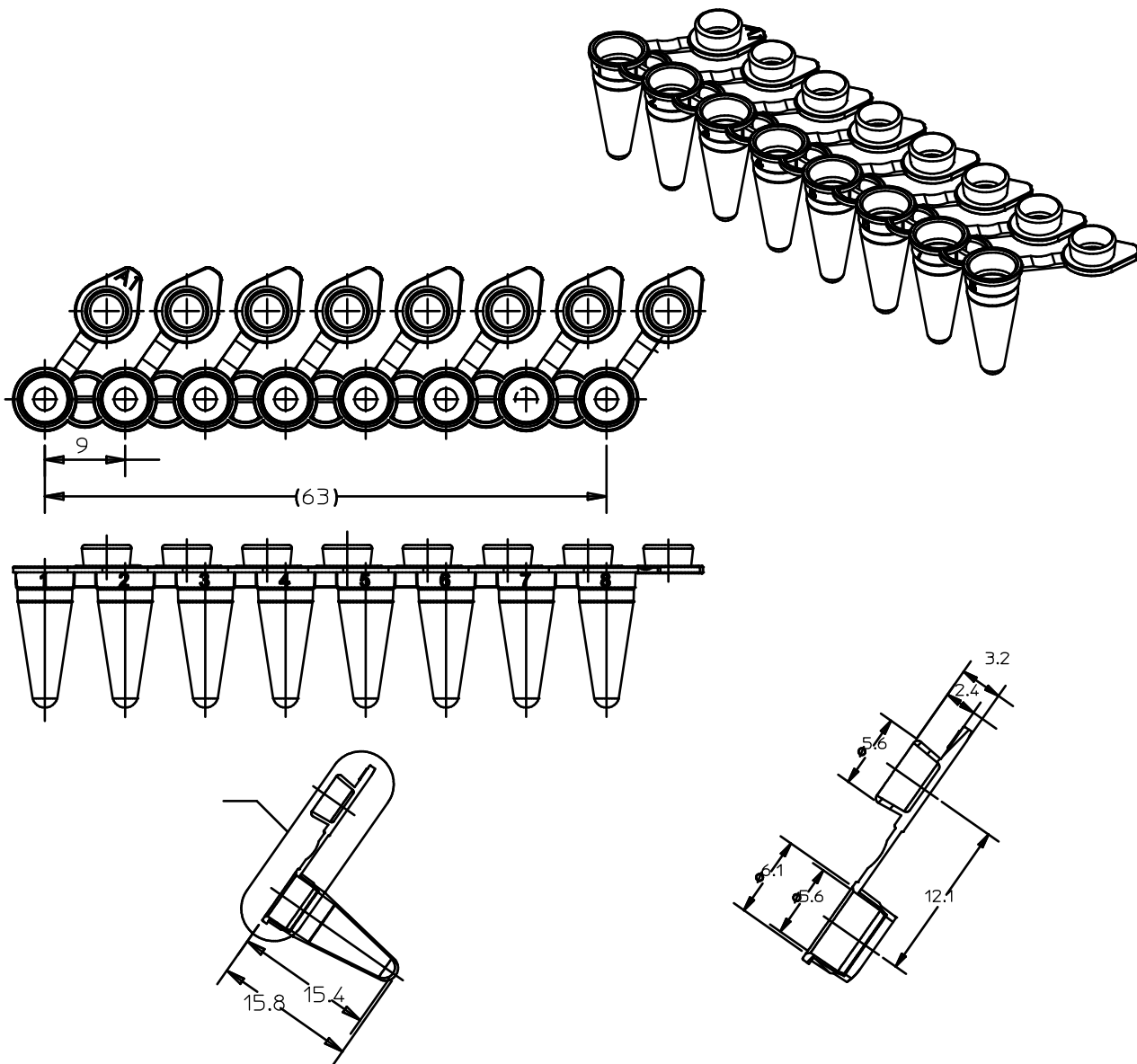


Valid for Item-No.: 671221, 671221-02, 673285



"All dimensions in mm"

Customer drawing subject to change without notice!

Uncontrolled Copy

Prior Issue	Drawn	Approved	Released	CONFIDENTIAL: Information contained in this document or drawing is confidential and proprietary to Greiner Bio-One GmbH. This document may not be reproduced for any reason without written permission from Greiner Bio-One GmbH. All rights of design, invention, and copyright are reserved.
Revision 4	Date 2016/10/19	Date 2022/01/25	Date 2022/02/21	
Date 2020/08/18	Name forb	Name forb	Name kleber	