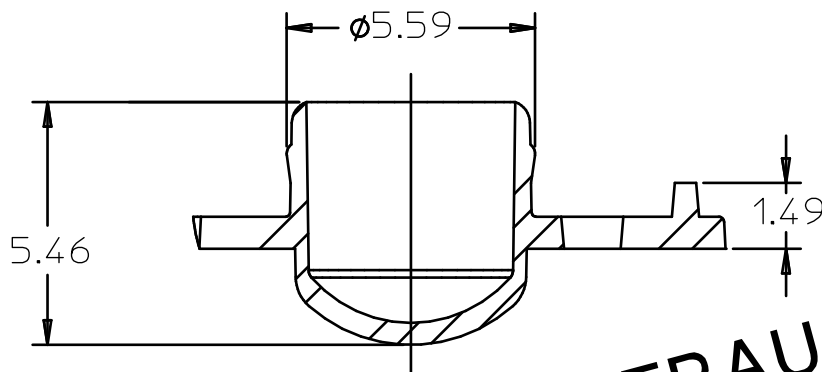
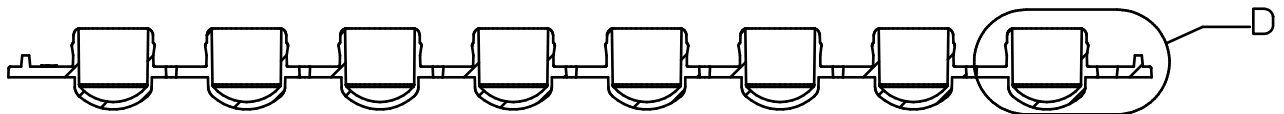
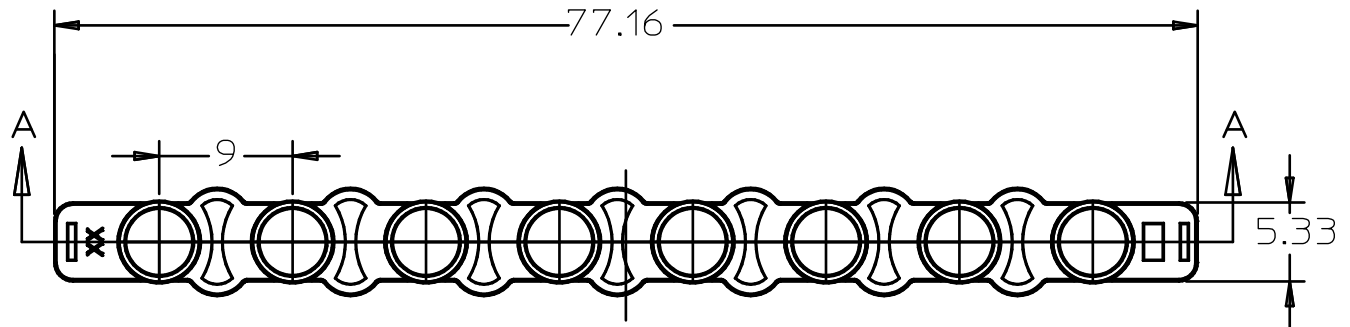


Valid for Item-No.: 373270, 373273, 373274, 373275, 373276, 373277, 373281



**BITTE NICHTS HERAUSMESSEN,  
SIND UMGEWANDELTE DATEN**

"All dimensions in mm"

Customer drawing subject to change without notice!

Uncontrolled Copy

Prior Issue	Drawn	Approved	Released	CONFIDENTIAL: Information contained in this document or drawing is confidential and proprietary to Greiner Bio-One GmbH. This document may not be reproduced for any reason without written permission from Greiner Bio-One GmbH. All rights of design, invention, and copyright are reserved.
Revision 2	Date 2015/04/16	Date 2022/11/14	Date 2022/11/14	
Date 2015/08/06	Name forb	Name forb	Name kleber	