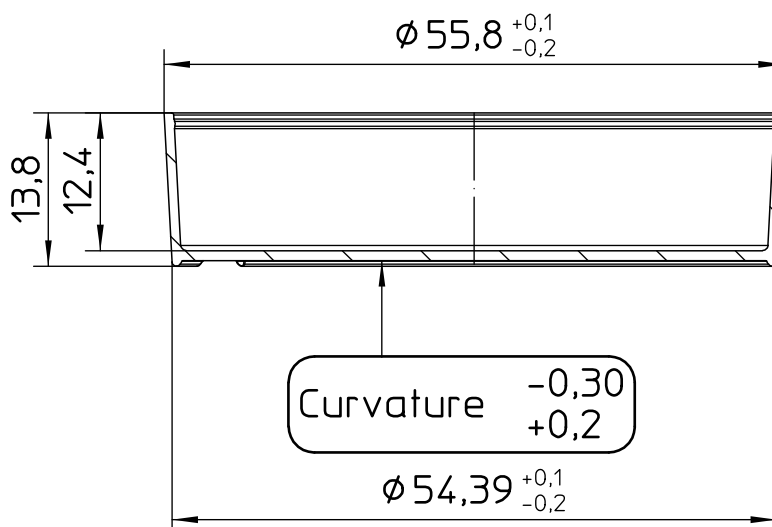
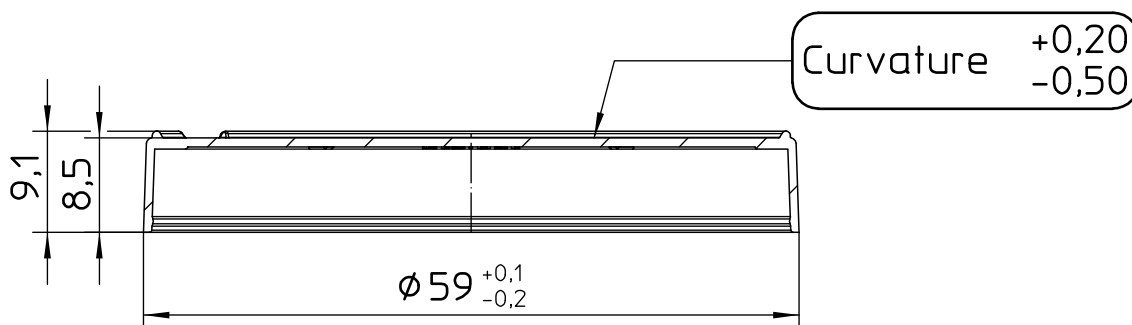
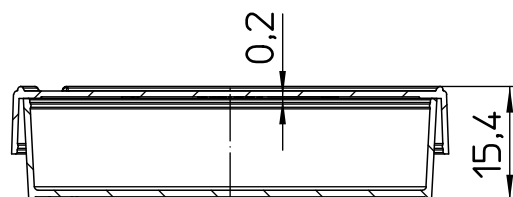
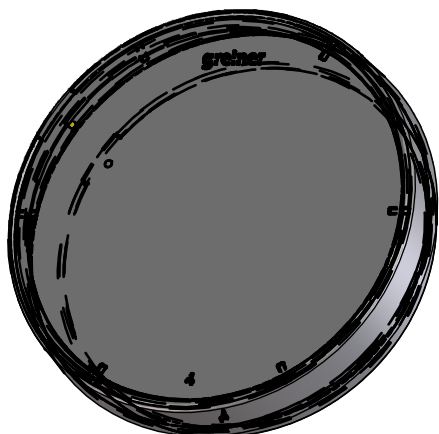


Valid for Item-No.: 628910, 628920, 628930, 628940, 628950



"All dimensions in mm"

Customer drawing subject to change without notice!

Uncontrolled Copy

| Prior Issue | Drawn | Approved | Released | CONFIDENTIAL: Information contained in this document or drawing is confidential and proprietary to Greiner Bio-One GmbH. This document may not be reproduced for any reason without written permission from Greiner Bio-One GmbH. All rights of design, invention, and copyright are reserved. |
|--------------------|--------------------|--------------------|--------------------|--|
| Revision 2 | Date 2017/11/03 | Date 2022/11/14 | Date 2022/11/14 | |
| Date 2020/02/05 | Name gerlach | Name forb | Name kleber | |