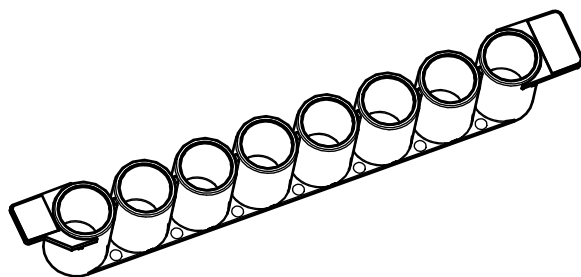
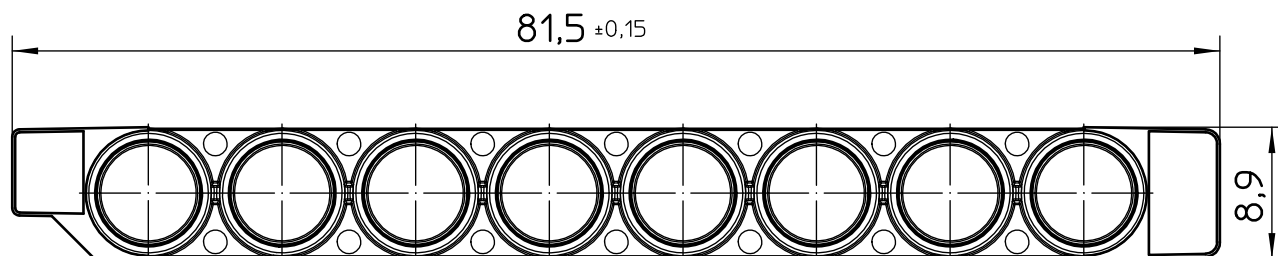
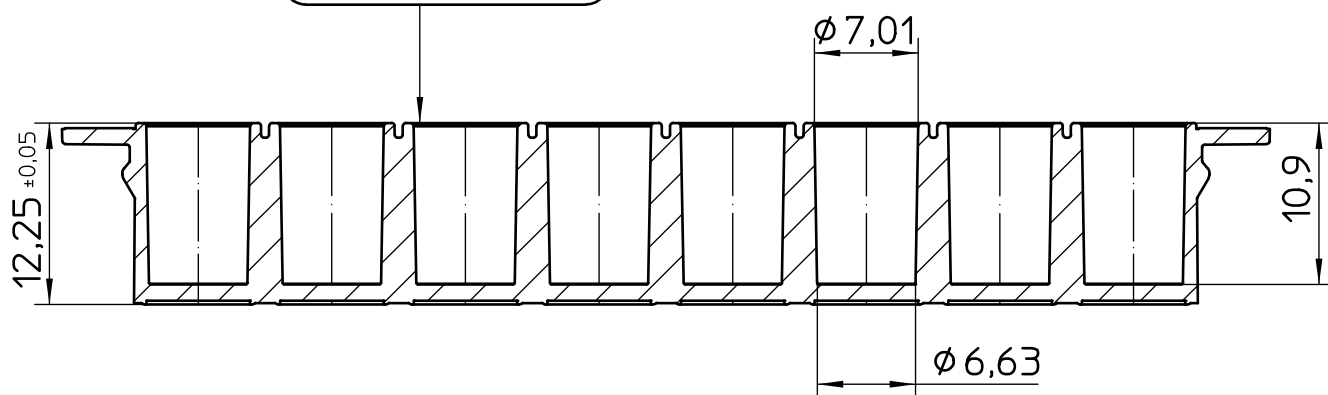


Valid for Item-No.: 762001, 762061



Curvature +0.15
-0.15



"All dimensions in mm"

Customer drawing subject to change without notice!

Uncontrolled Copy

Prior Issue	Drawn	Approved	Released	CONFIDENTIAL: Information contained in this document or drawing is confidential and proprietary to Greiner Bio-One GmbH. This document may not be reproduced for any reason without written permission from Greiner Bio-One GmbH. All rights of design, invention, and copyright are reserved.
Revision 3	Date 2015/05/18	Date 2022/08/03	Date 2022/08/03	
Date 2020/07/01	Name forb	Name forb	Name kleber	