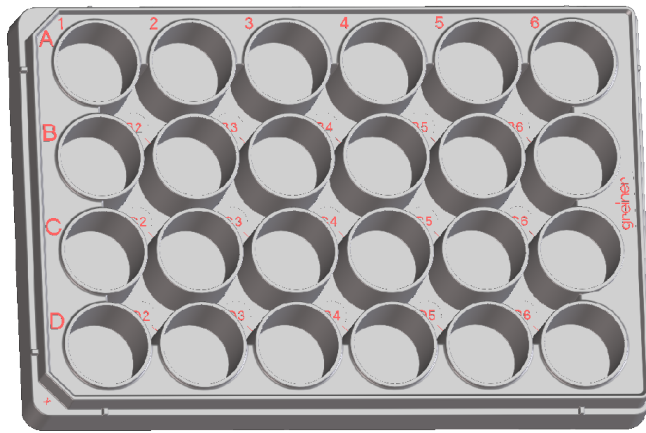
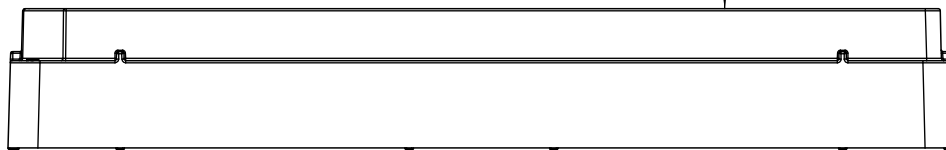


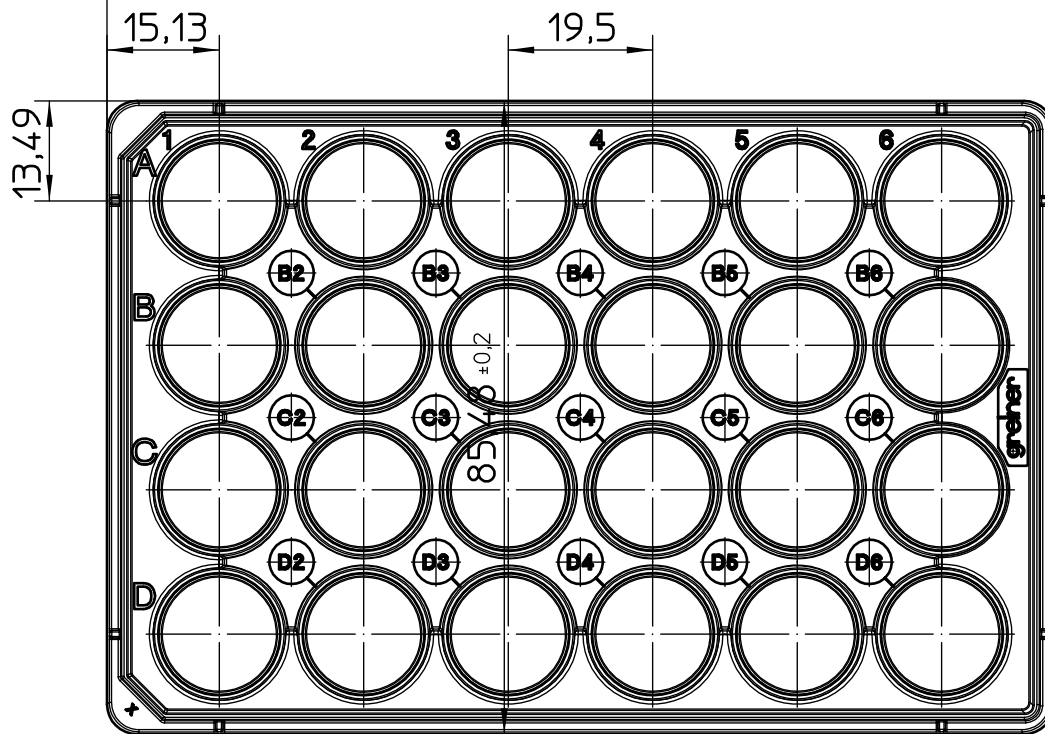
Valid for Item-No.: 662610, 662630, 662631, 662638, 662640, 662641



Curvature 0,2



127,76 ±0,2



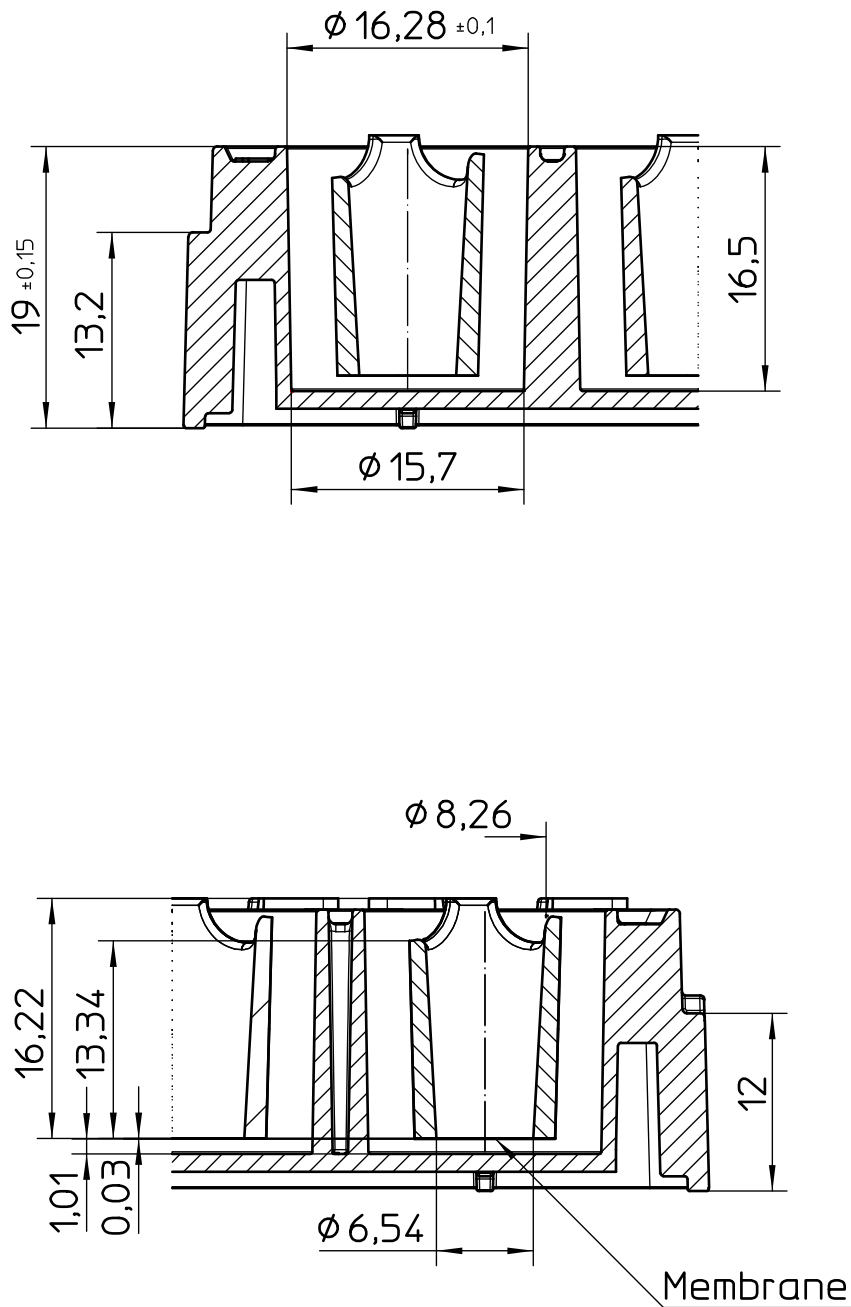
"All dimensions in mm"

Customer drawing subject to change without notice!

Uncontrolled Copy

Prior Issue	Drawn	Approved	Released	CONFIDENTIAL: Information contained in this document or drawing is confidential and proprietary to Greiner Bio-One GmbH. This document may not be reproduced for any reason without written permission from Greiner Bio-One GmbH. All rights of design, invention, and copyright are reserved.
Revision 7	Date 2011/08/09	Date 2022/10/27	Date 2022/10/27	
Date 2022/08/19	Name forb	Name kleber	Name lang	

Valid for Item-No.: 662610, 662630, 662631, 662638, 662640, 662641



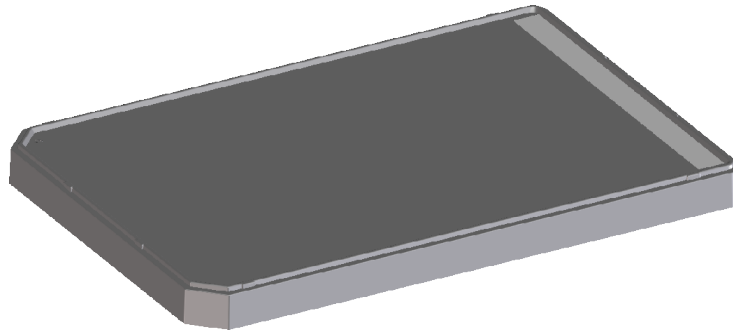
"All dimensions in mm"

Customer drawing subject to change without notice!

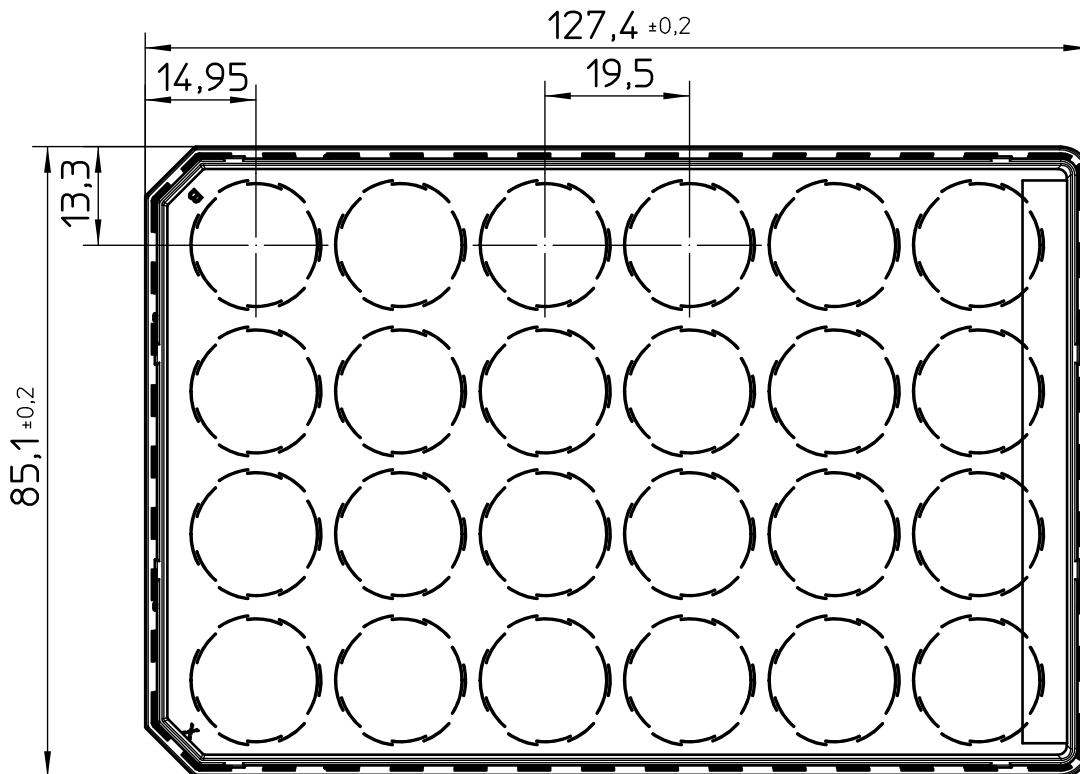
Uncontrolled Copy

Prior Issue	Drawn	Approved	Released	CONFIDENTIAL: Information contained in this document or drawing is confidential and proprietary to Greiner Bio-One GmbH. This document may not be reproduced for any reason without written permission from Greiner Bio-One GmbH. All rights of design, invention, and copyright are reserved.
Revision	Date	Date	Date	
7	2011/08/09	2022/10/27	2022/10/27	
Date	Name	Name	Name	
2022/08/19	forb	kleber	lang	

Valid for Item-No.: 662610, 662630, 662631, 662638, 662640, 662641



Curvature +0,3
-0,1



"All dimensions in mm"

Customer drawing subject to change without notice!

Uncontrolled Copy

Prior Issue	Drawn	Approved	Released	CONFIDENTIAL: Information contained in this document or drawing is confidential and proprietary to Greiner Bio-One GmbH. This document may not be reproduced for any reason without written permission from Greiner Bio-One GmbH. All rights of design, invention, and copyright are reserved.
Revision	Date	Date	Date	
7	2011/08/09	2022/10/27	2022/10/27	
Date	Name	Name	Name	
2022/08/19	forb	kleber	lang	