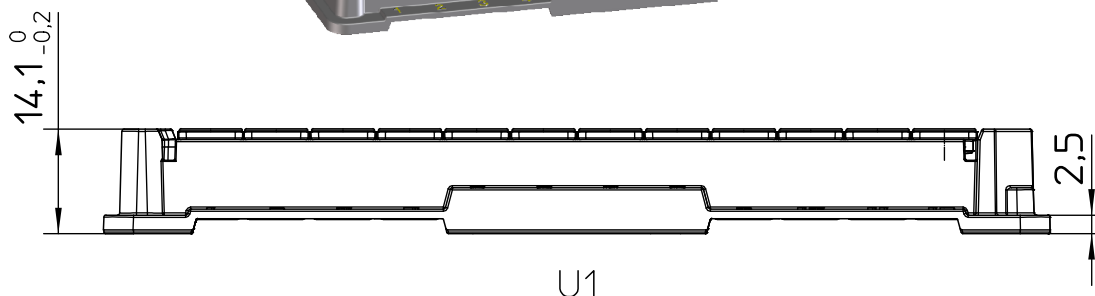
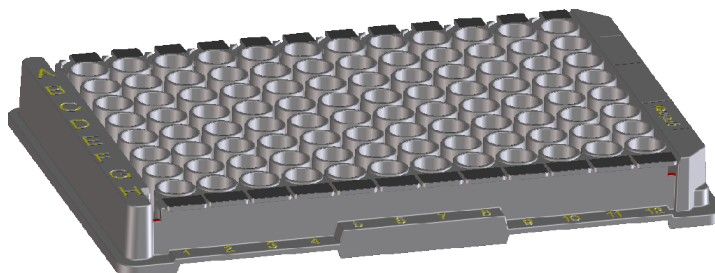
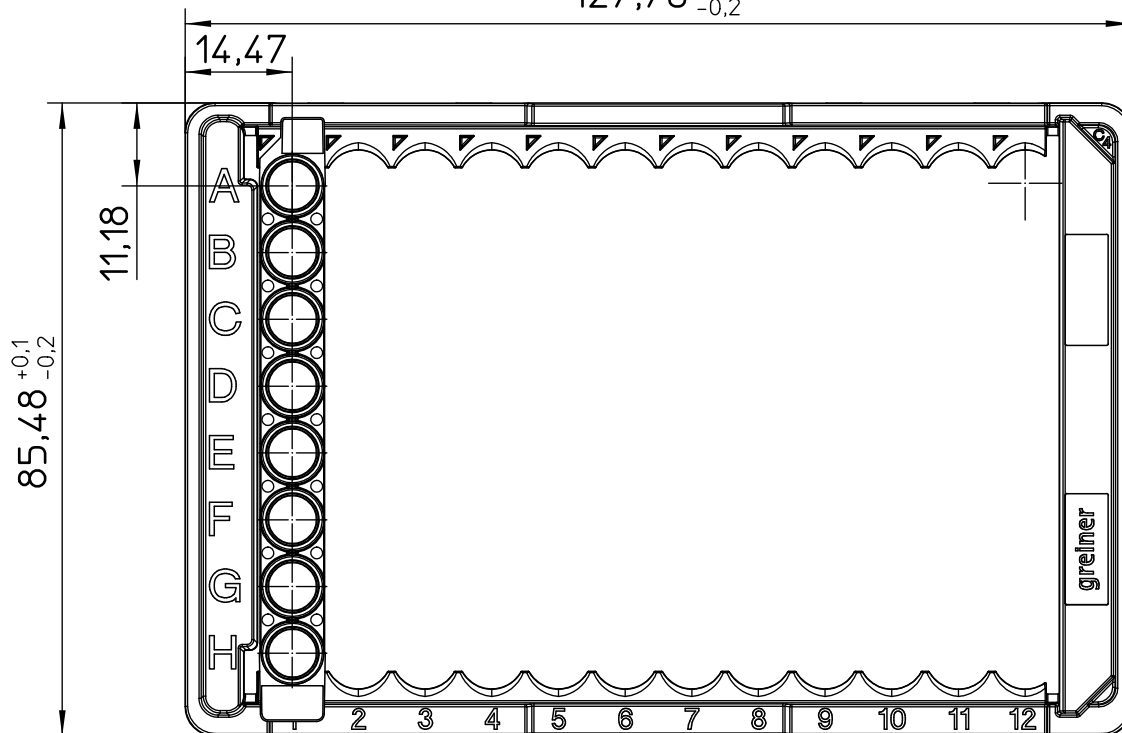


Valid for Item-No.: 762070, 762071, 762074, 762075, 762076, 762077



U1

127,76^{+0,1}_{-0,2}



V7

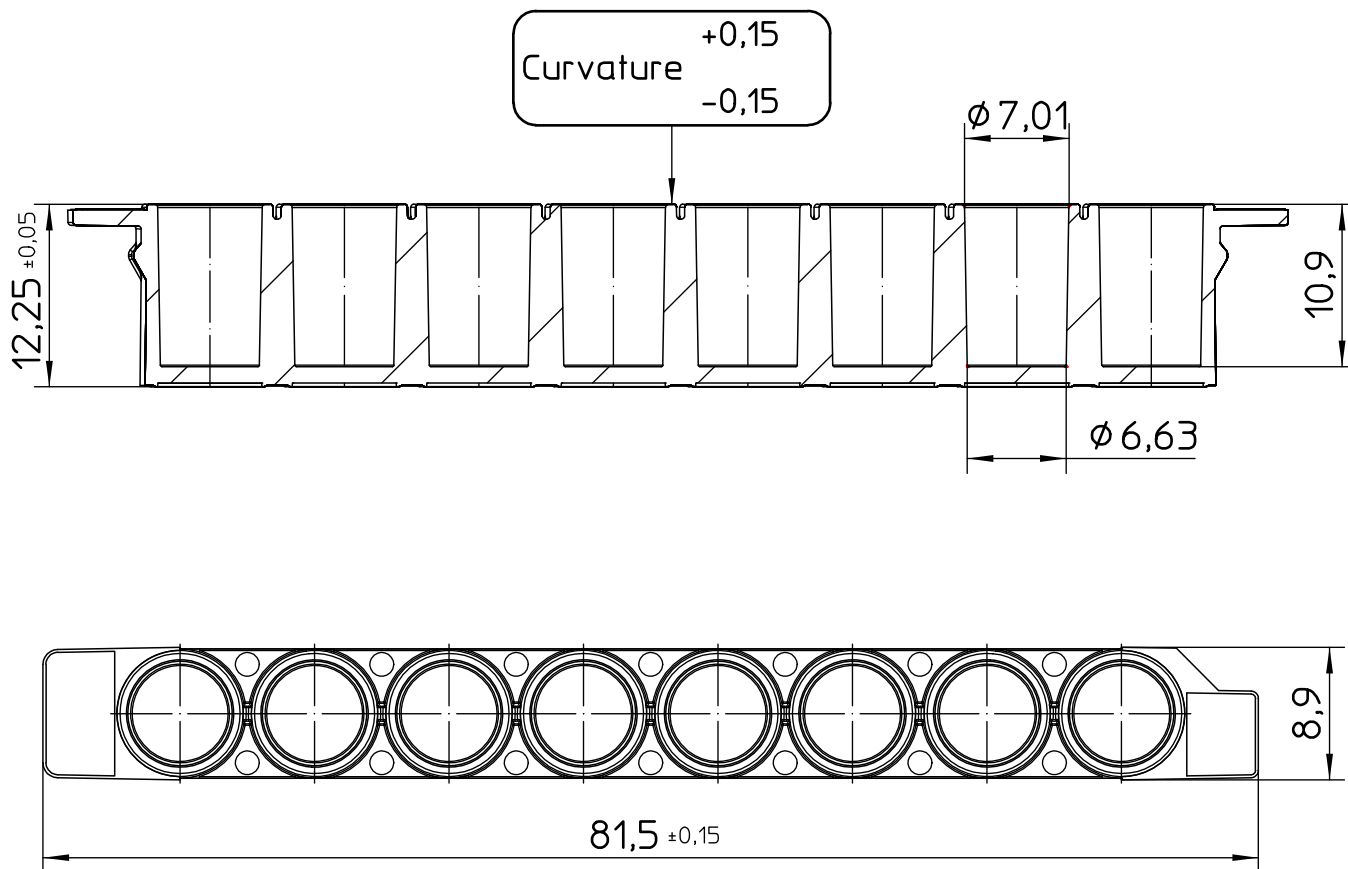
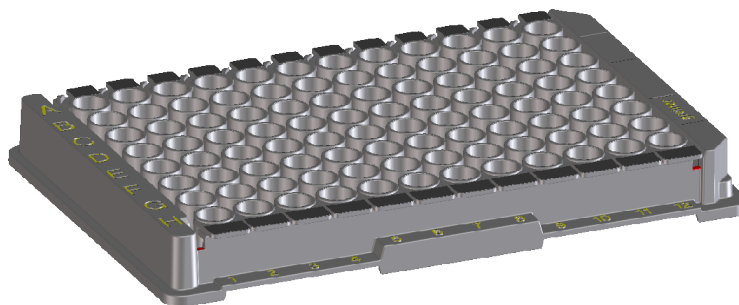
"All dimensions in mm"

Customer drawing subject to change without notice!

Uncontrolled Copy

Prior Issue	Drawn	Approved	Released	CONFIDENTIAL: Information contained in this document or drawing is confidential and proprietary to Greiner Bio-One GmbH. This document may not be reproduced for any reason without written permission from Greiner Bio-One GmbH. All rights of design, invention, and copyright are reserved.
Revision 5	Date 2014/08/27	Date 2023/09/01	Date 2023/09/01	
Date 2022/08/11	Name schwarzj	Name kessler	Name kronm	

Valid for Item-No.: 762070, 762071, 762074, 762075, 762076, 762077



"All dimensions in mm"

Customer drawing subject to change without notice!

Uncontrolled Copy

Prior Issue	Drawn	Approved	Released	CONFIDENTIAL: Information contained in this document or drawing is confidential and proprietary to Greiner Bio-One GmbH. This document may not be reproduced for any reason without written permission from Greiner Bio-One GmbH. All rights of design, invention, and copyright are reserved.
Revision 5	Date 2014/08/27	Date 2023/09/01	Date 2023/09/01	
Date 2022/08/11	Name schwarzj	Name kessler	Name kronm	