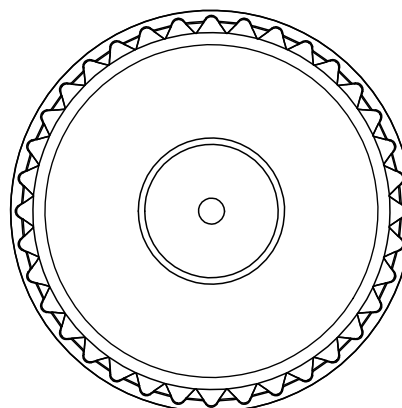
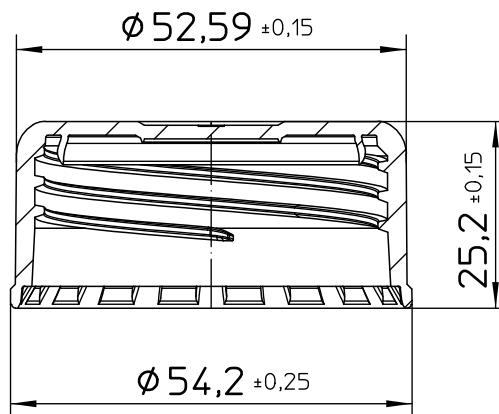
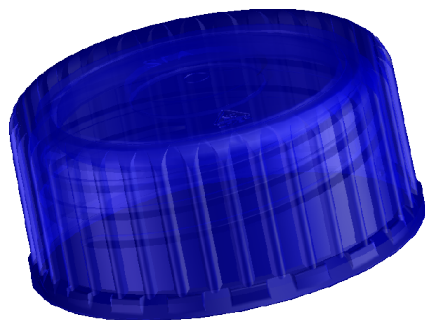


Valid for Item-No.: 383374, 383374-10, 383361



"All dimensions in mm"

Customer drawing subject to change without notice!

Uncontrolled Copy

Prior Issue	Drawn	Approved	Released	CONFIDENTIAL: Information contained in this document or drawing is confidential and proprietary to Greiner Bio-One GmbH. This document may not be reproduced for any reason without written permission from Greiner Bio-One GmbH. All rights of design, invention, and copyright are reserved.
Revision	Date	Date	Date	
3	2022/03/03	2024/07/23	2024/07/23	
Date	Name	Name	Name	
2023/11/07	forb	kleber	ziegler	