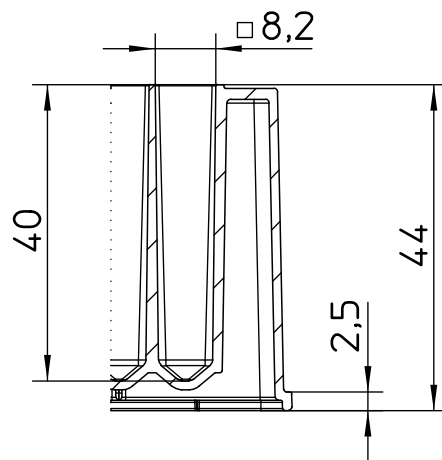
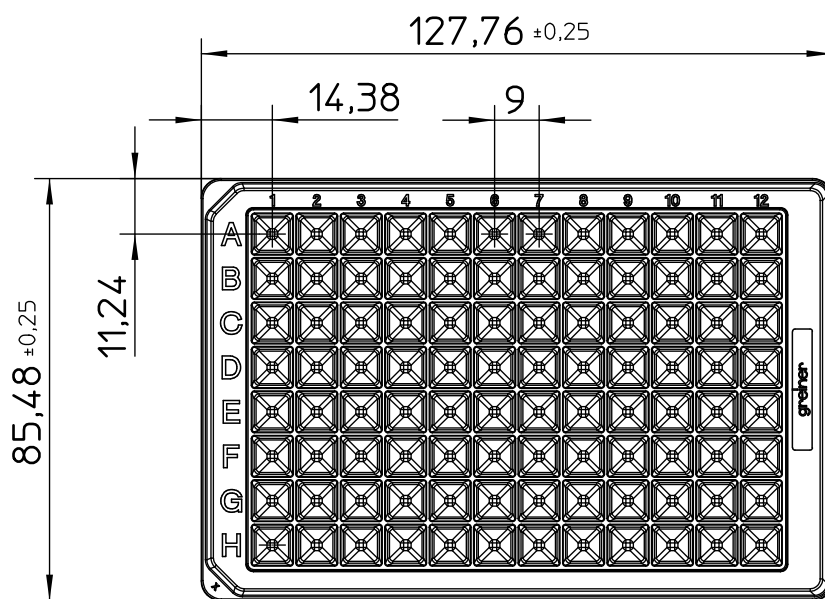
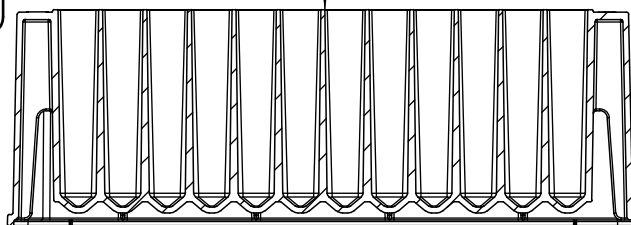


Valid for Item-No.: 780270, 780271, 780280, 780285



Curvature  $\updownarrow$  Max.Diff 0.25



"All dimensions in mm"

Customer drawing subject to change without notice!

Uncontrolled Copy

Prior Issue	Drawn	Approved	Released	CONFIDENTIAL: Information contained in this document or drawing is confidential and proprietary to Greiner Bio-One GmbH. This document may not be reproduced for any reason without written permission from Greiner Bio-One GmbH. All rights of design, invention, and copyright are reserved.
Revision	Date 2017/08/23	Date 2020/10/08	Date 2020/10/08	
Date	Name forb	Name forb	Name sonntag	