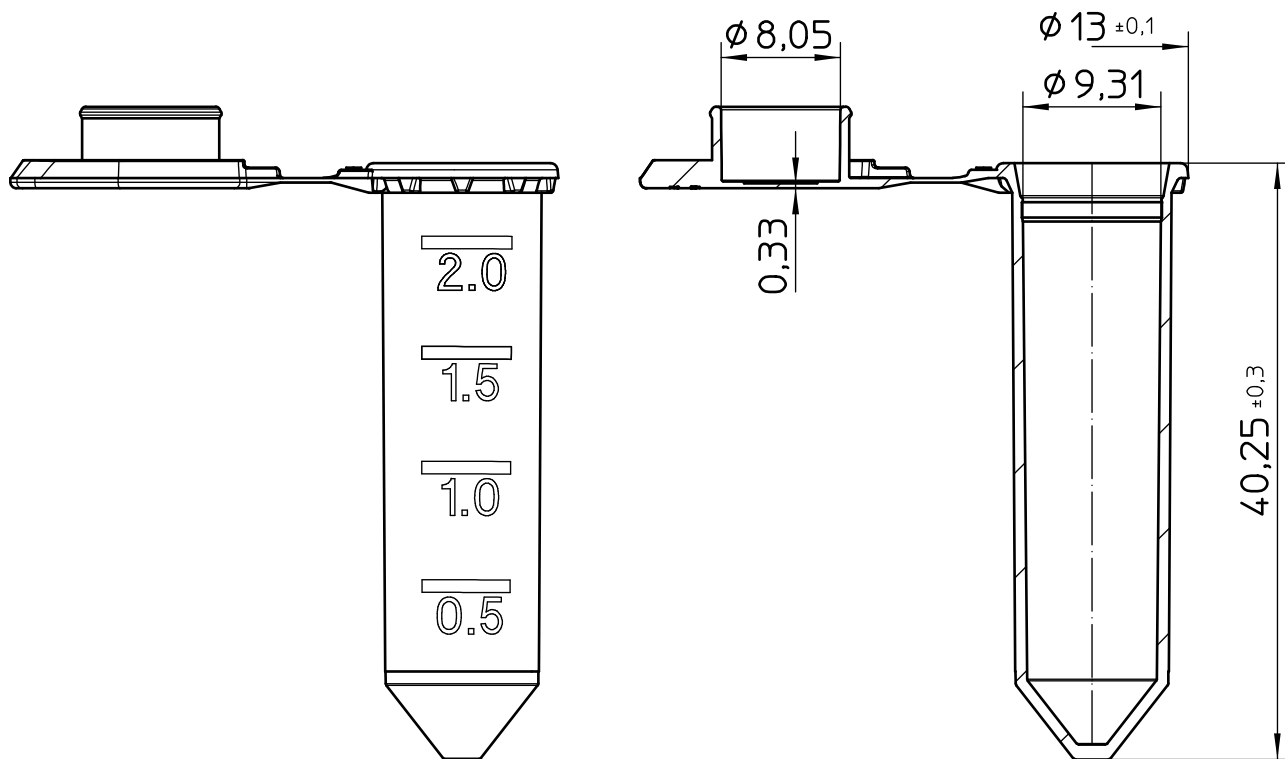


Valid for Item-No.: 623201, 623273, 623275, 623276



"All dimensions in mm"

Customer drawing subject to change without notice!

Uncontrolled Copy

Prior Issue	Drawn	Approved	Released	CONFIDENTIAL: Information contained in this document or drawing is confidential and proprietary to Greiner Bio-One GmbH. This document may not be reproduced for any reason without written permission from Greiner Bio-One GmbH. All rights of design, invention, and copyright are reserved.
Revision 3	Date 2011/05/17	Date 2023/12/08	Date 2023/12/08	
Date 2021/10/07	Name forb	Name kleber	Name sigel	