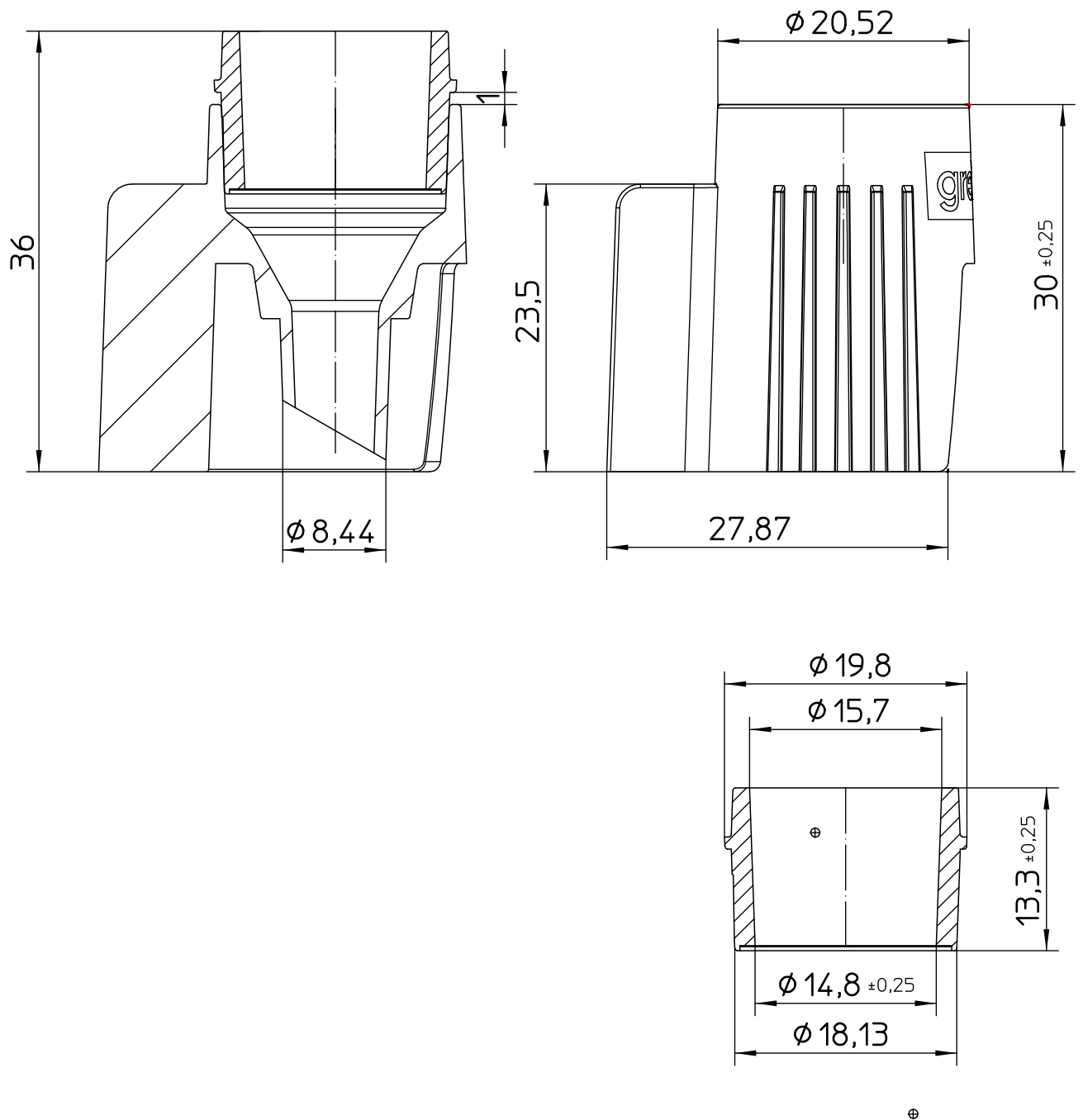


Valid for Item-No.: 542100, 542120, 542140, 542170



"All dimensions in mm"

Customer drawing subject to change without notice!

Uncontrolled Copy

| Prior Issue | Drawn | Approved | Released | CONFIDENTIAL: Information contained in this document or drawing is confidential and proprietary to Greiner Bio-One GmbH. This document may not be reproduced for any reason without written permission from Greiner Bio-One GmbH. All rights of design, invention, and copyright are reserved. |
|-----------------|-----------------|-----------------|-----------------|--|
| Revision 3 | Date 2020/05/28 | Date 2021/02/04 | Date 2021/02/04 | |
| Date 2020/08/20 | Name forb | Name ziegler | Name schwarzej | |