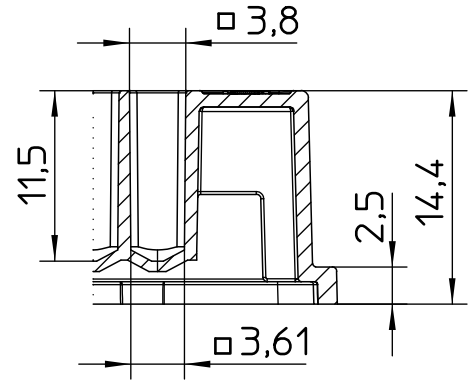
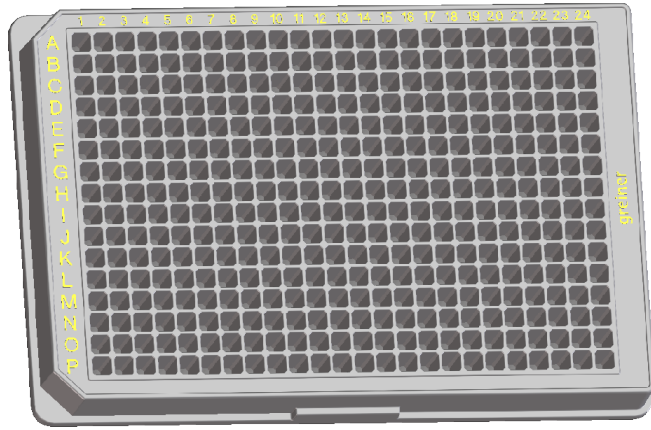
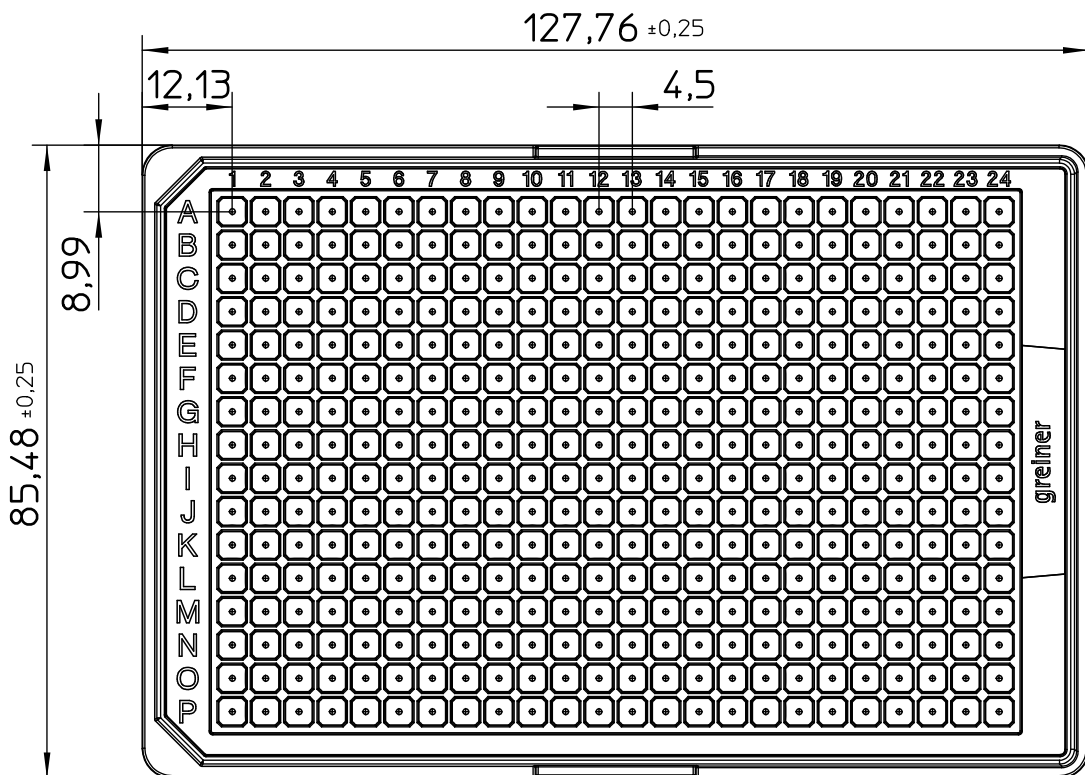
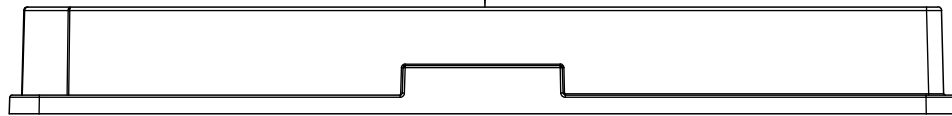


Valid for Item-No.: 781280, 781281, 781281-GL



Curvature \updownarrow Max.Diff 0.25



"All dimensions in mm"

Customer drawing subject to change without notice!

Uncontrolled Copy

Prior Issue	Drawn	Approved	Released	CONFIDENTIAL: Information contained in this document or drawing is confidential and proprietary to Greiner Bio-One GmbH. This document may not be reproduced for any reason without written permission from Greiner Bio-One GmbH. All rights of design, invention, and copyright are reserved.
Revision 6	Date 2011/08/30	Date 2024/01/11	Date 2024/01/11	
Date 2023/08/02	Name forb	Name kleber	Name kessler	