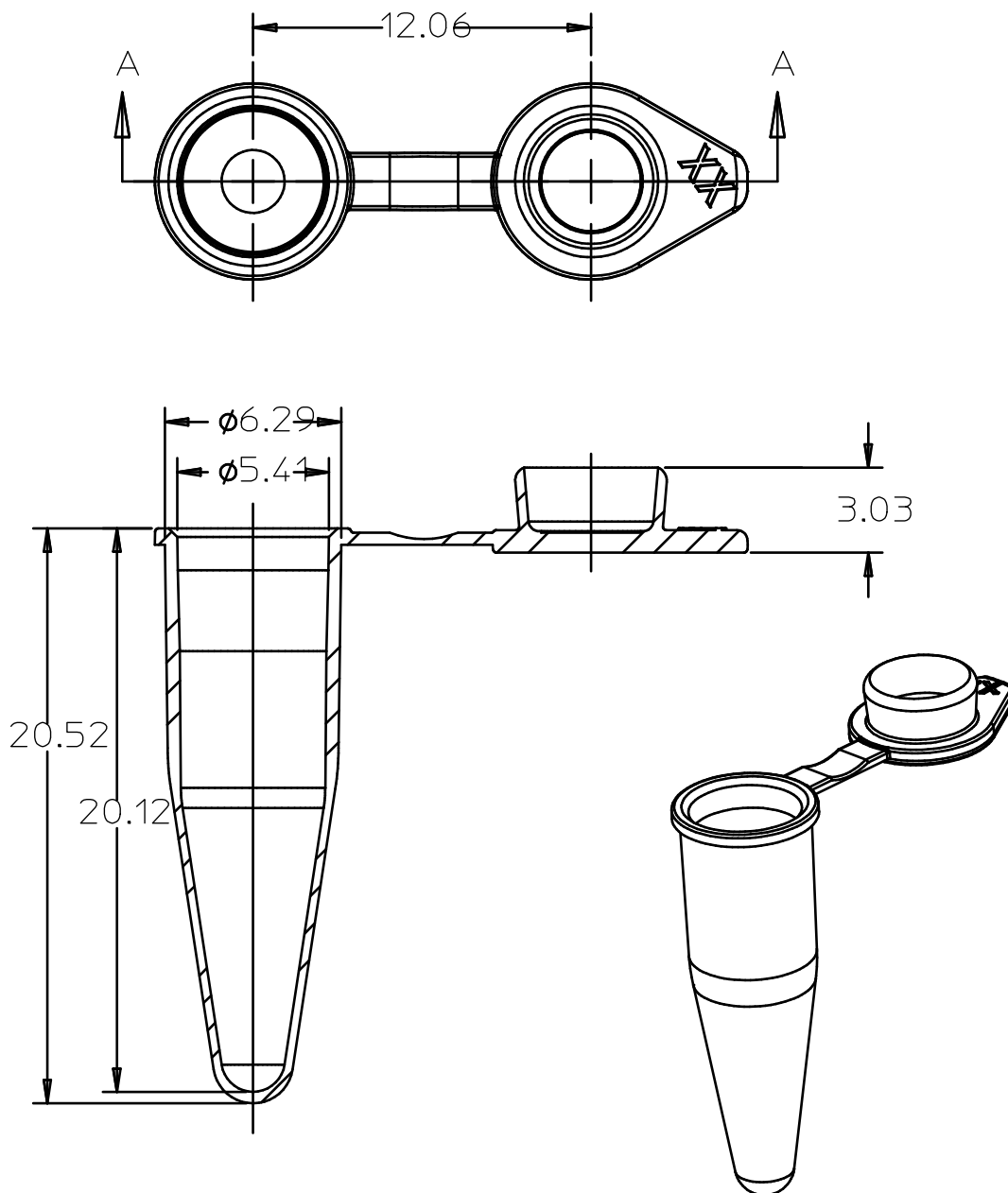


Valid for Item-No.: 683201, 683271, 683273, 683274, 683275, 683276, 683277



"All dimensions in mm"

Customer drawing subject to change without notice!

Uncontrolled Copy

| Prior Issue | Drawn | Approved | Released | CONFIDENTIAL: Information contained in this document or drawing is confidential and proprietary to Greiner Bio-One GmbH. This document may not be reproduced for any reason without written permission from Greiner Bio-One GmbH. All rights of design, invention, and copyright are reserved. |
|--------------------|--------------------|--------------------|--------------------|--|
| Revision 3 | Date 2011/08/15 | Date 2022/01/25 | Date 2022/02/15 | |
| Date 2015/11/23 | Name forb | Name forb | Name kleber | |