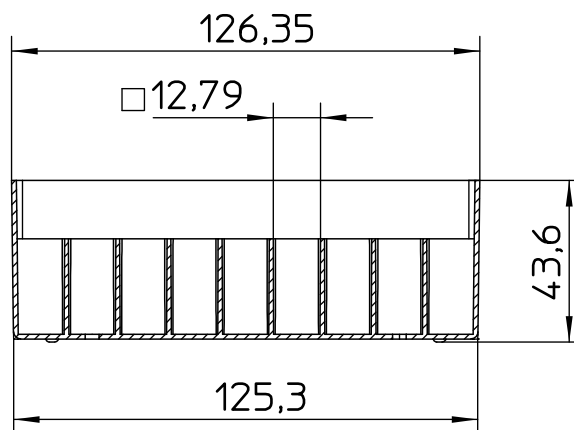
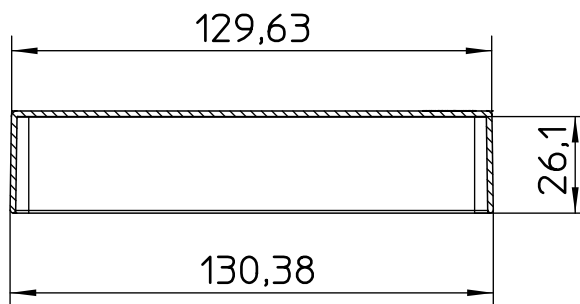
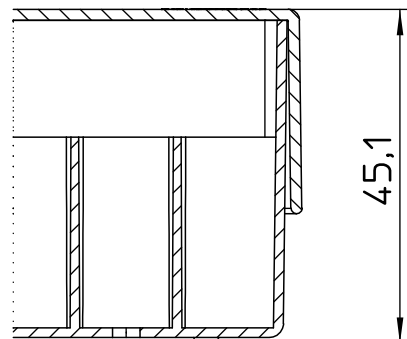
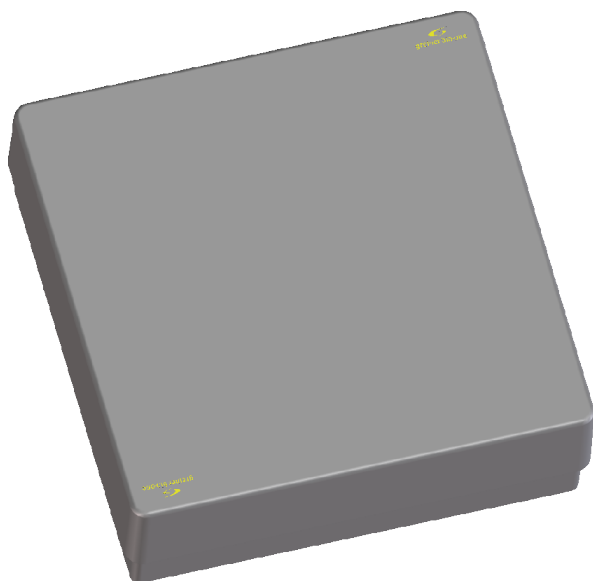


Valid for Item-No.: 802202, 802203, 802204, 802206, 802225



"All dimensions in mm"

Customer drawing subject to change without notice!

Uncontrolled Copy

Prior Issue	Drawn	Approved	Released	CONFIDENTIAL: Information contained in this document or drawing is confidential and proprietary to Greiner Bio-One GmbH. This document may not be reproduced for any reason without written permission from Greiner Bio-One GmbH. All rights of design, invention, and copyright are reserved.
Revision 3	Date 2011/03/01	Date 2022/11/14	Date 2022/11/14	
Date 2015/08/25	Name forb	Name forb	Name kleber	