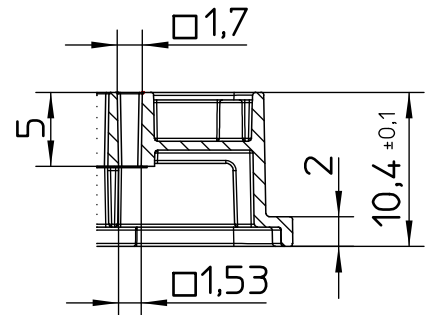
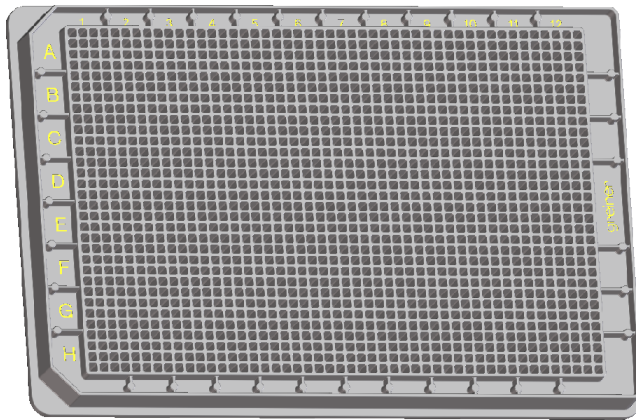
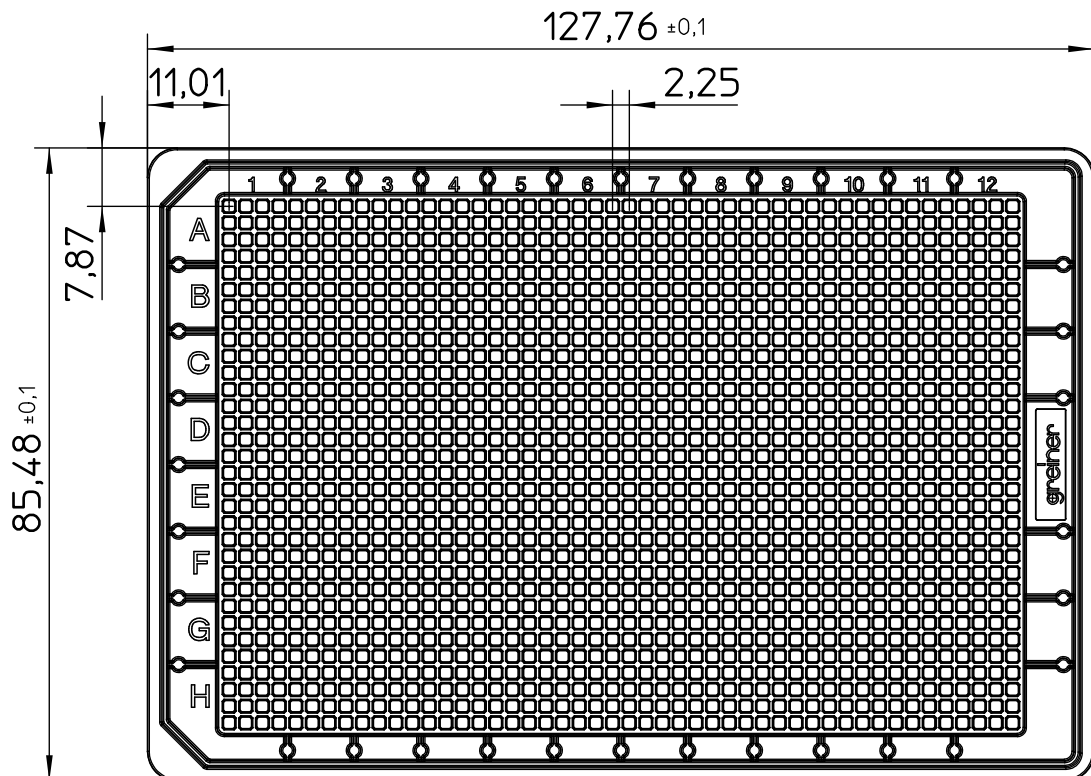
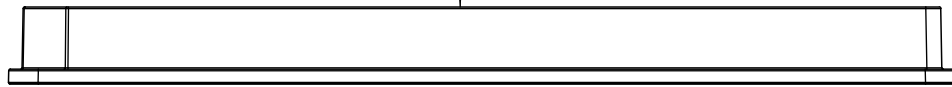


Valid for Item-No.: 782092, 782093, 782094, 782095, 782096, 782097



Curvature  $\updownarrow$  Max.Diff 0,15



"All dimensions in mm"

Customer drawing subject to change without notice!

Uncontrolled Copy

Prior Issue	Drawn	Approved	Released	CONFIDENTIAL: Information contained in this document or drawing is confidential and proprietary to Greiner Bio-One GmbH. This document may not be reproduced for any reason without written permission from Greiner Bio-One GmbH. All rights of design, invention, and copyright are reserved.
Revision 5	Date 2011/03/23	Date 2021/07/28	Date 2021/07/28	
Date 2020/04/06	Name forb	Name forb	Name kessler	