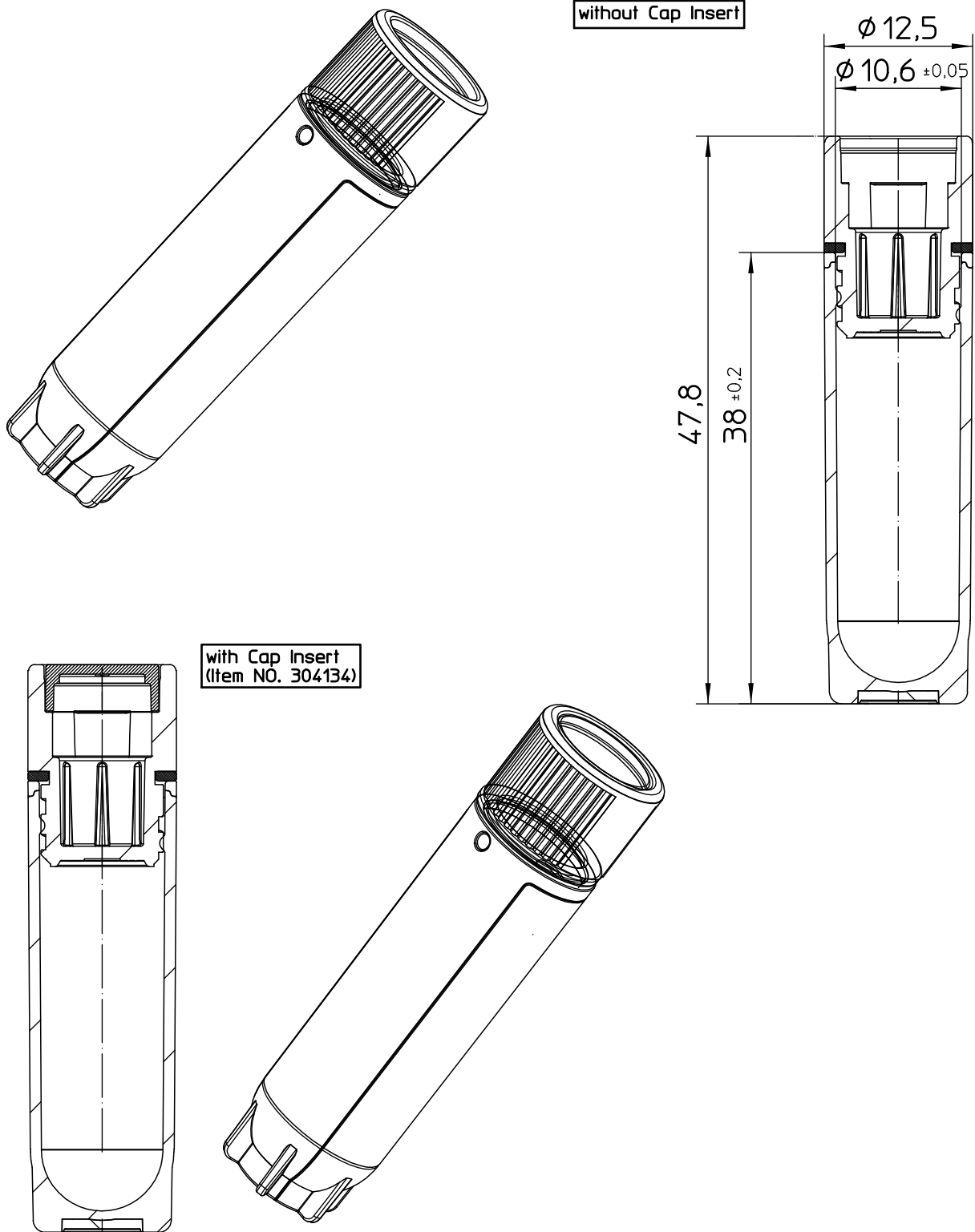


Valid for Item-No.: 122263-2DG, 122263-2D3, 122272-2D1, 122277-2DG, 122277-2D3, 122278-2DG, 122278-2D3, 122279-2DG, 122279-2D3, 122280-2DG, 122280-2D3



"All dimensions in mm"

Customer drawing subject to change without notice!

Uncontrolled Copy

Prior Issue	Drawn	Approved	Released	CONFIDENTIAL: Information contained in this document or drawing is confidential and proprietary to Greiner Bio-One GmbH. This document may not be reproduced for any reason without written permission from Greiner Bio-One GmbH. All rights of design, invention, and copyright are reserved.
Revision 4	Date 2022/04/01	Date 2023/06/14	Date 2023/09/25	
Date 2023/04/28	Name forb	Name forb	Name kessler	