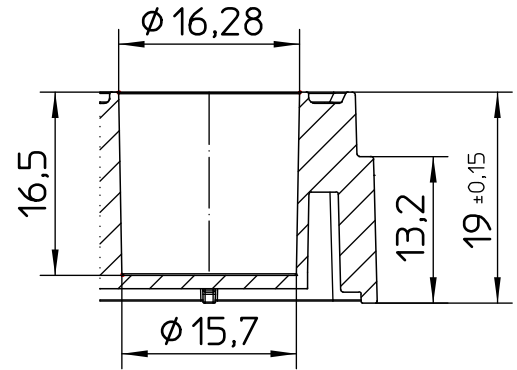
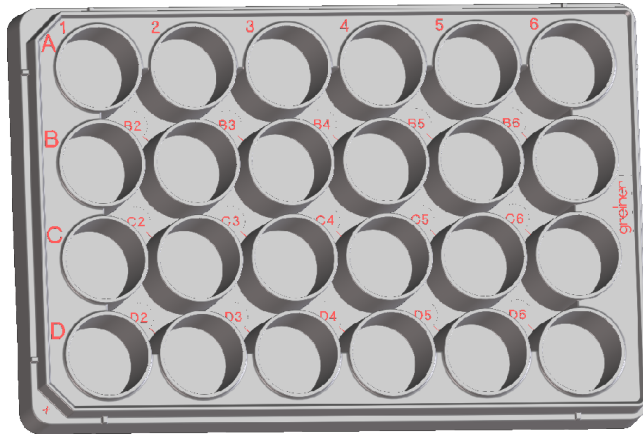
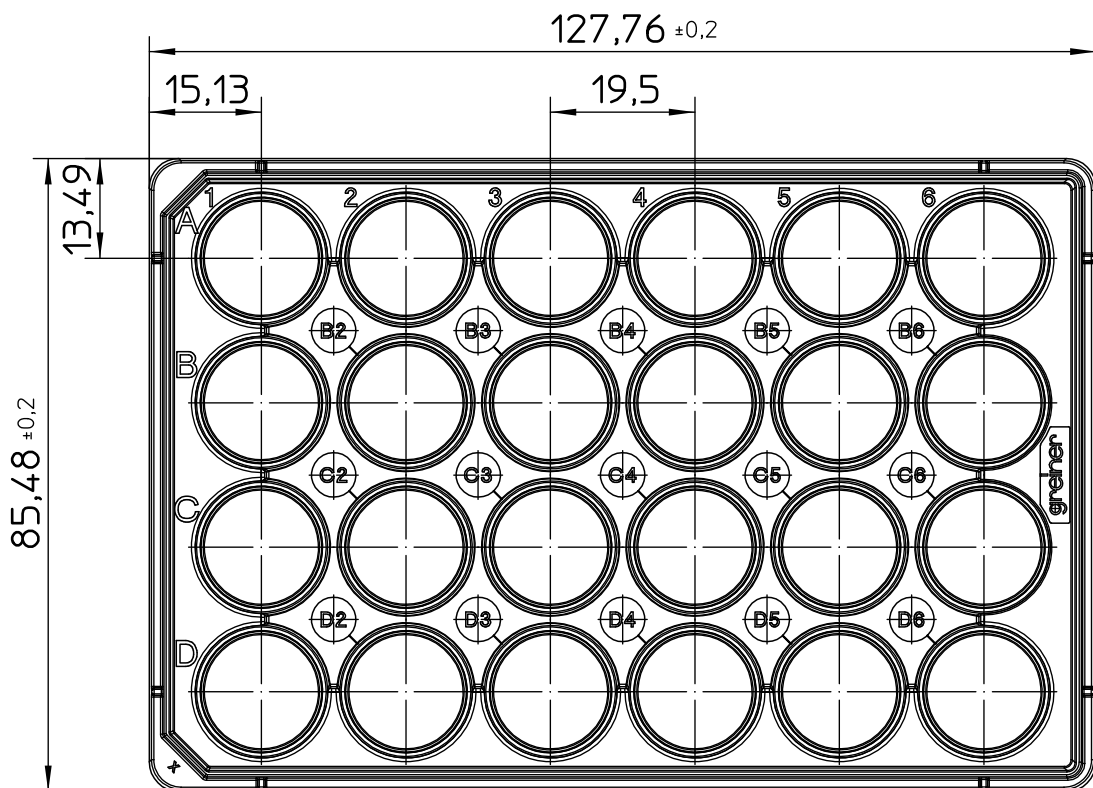
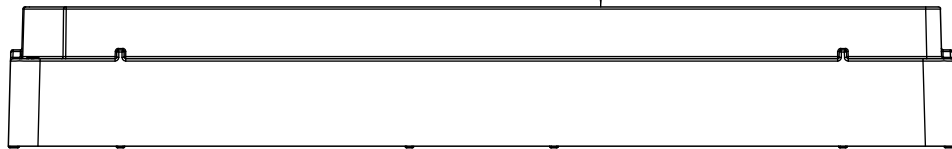


Valid for Item-No.: 662102, 662160, 662165, 662174



Curvature 0,2



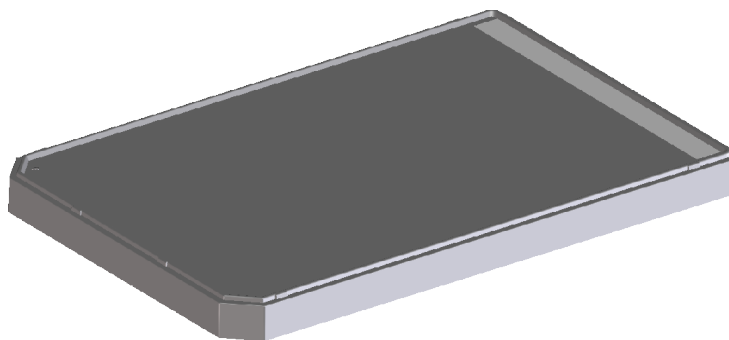
"All dimensions in mm"

Customer drawing subject to change without notice!

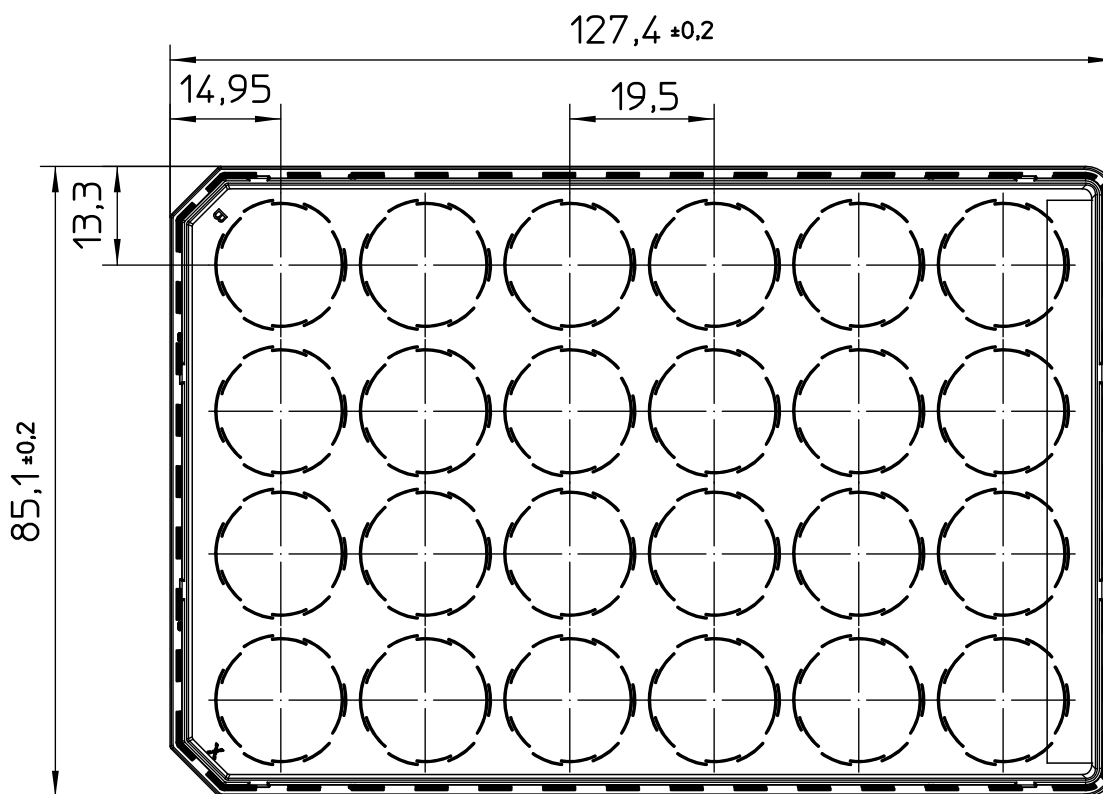
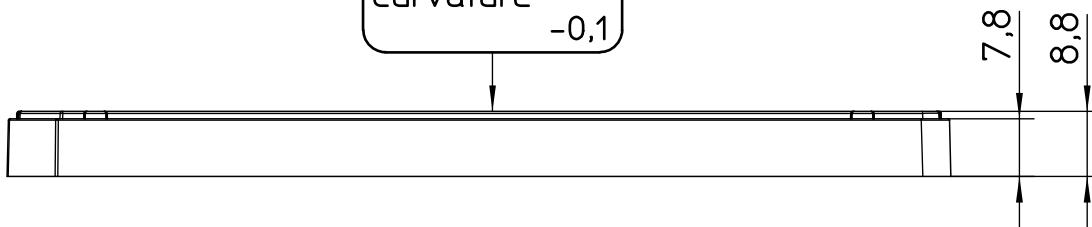
Uncontrolled Copy

Prior Issue	Drawn	Approved	Released	CONFIDENTIAL: Information contained in this document or drawing is confidential and proprietary to Greiner Bio-One GmbH. This document may not be reproduced for any reason without written permission from Greiner Bio-One GmbH. All rights of design, invention, and copyright are reserved.
Revision 12	Date 2011/04/18	Date 2022/11/11	Date 2022/11/14	
Date 2022/11/10	Name forb	Name forb	Name kleber	

Valid for Item-No.: 662102, 662160, 662165, 662174



Curvature $+0,3$
 $-0,1$



"All dimensions in mm"

Customer drawing subject to change without notice!

Uncontrolled Copy

Prior Issue	Drawn	Approved	Released	CONFIDENTIAL: Information contained in this document or drawing is confidential and proprietary to Greiner Bio-One GmbH. This document may not be reproduced for any reason without written permission from Greiner Bio-One GmbH. All rights of design, invention, and copyright are reserved.
Revision 12	Date 2011/04/18	Date 2022/11/11	Date 2022/11/14	
Date 2022/11/10	Name forb	Name forb	Name kleber	