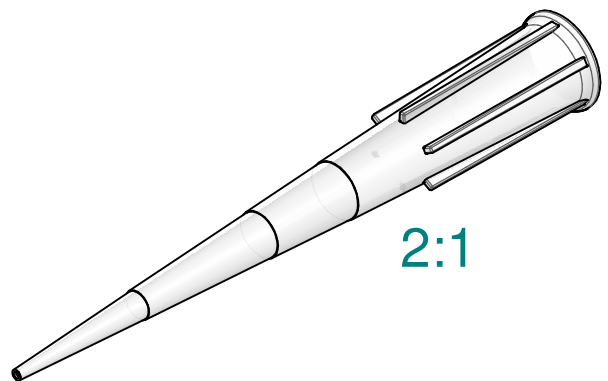
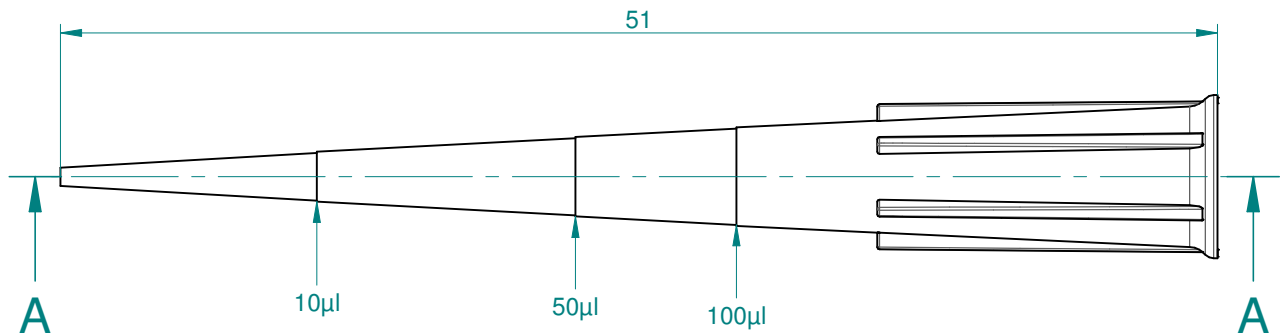
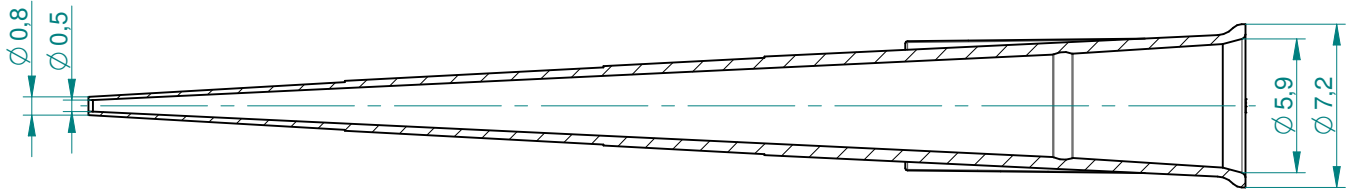


Valid for Item-No.: 775350, 775351, 775352, 775354, 775355

Related box: 770320 (yellow insert)

CONFIDENTIAL

SECTION A-A



"All dimensions in mm"

Customer drawing subject to change without notice!

Uncontrolled Copy

| Prior Issue | Drawn | Approved | Released | CONFIDENTIAL: Information contained in this document or drawing is confidential and proprietary to Greiner Bio-One GmbH. This document may not be reproduced for any reason without written permission from Greiner Bio-One GmbH. All rights of design, invention, and copyright are reserved. |
|---------------|-----------------------|--------------------|-------------------|---|
| Revision - | Date 24.07.2019 | Date Jul. 2019 | Date Jul. 2019 | |
| Date - | Name N. Schöfecker | Name M. Mizelli | Name R. Heller | |