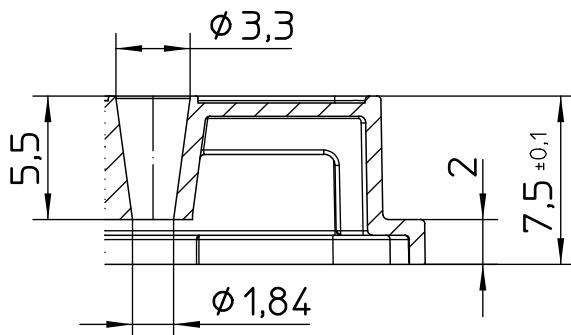
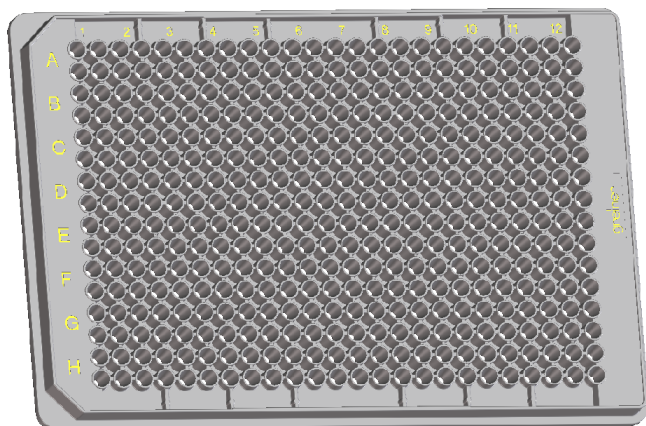
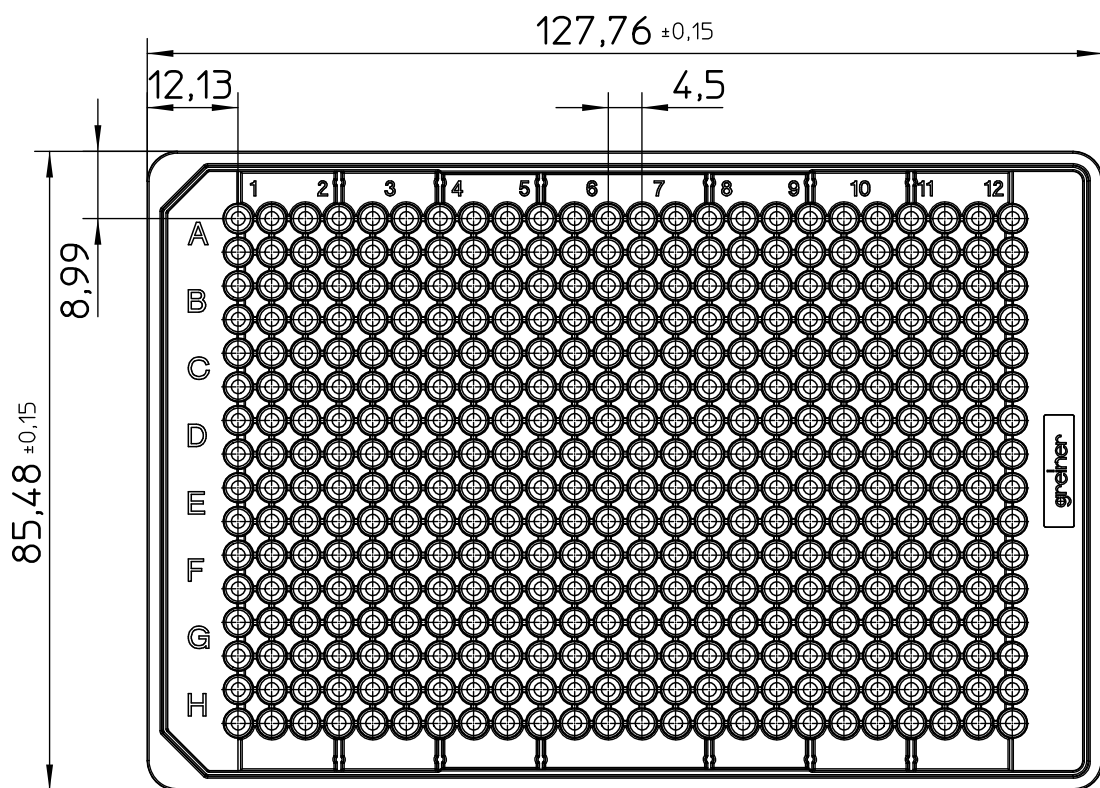
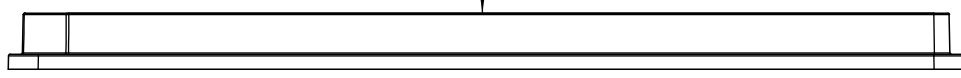




Valid for Item-No.: 788983, 788986



Curvature +0,15  
-0,15



"All dimensions in mm"

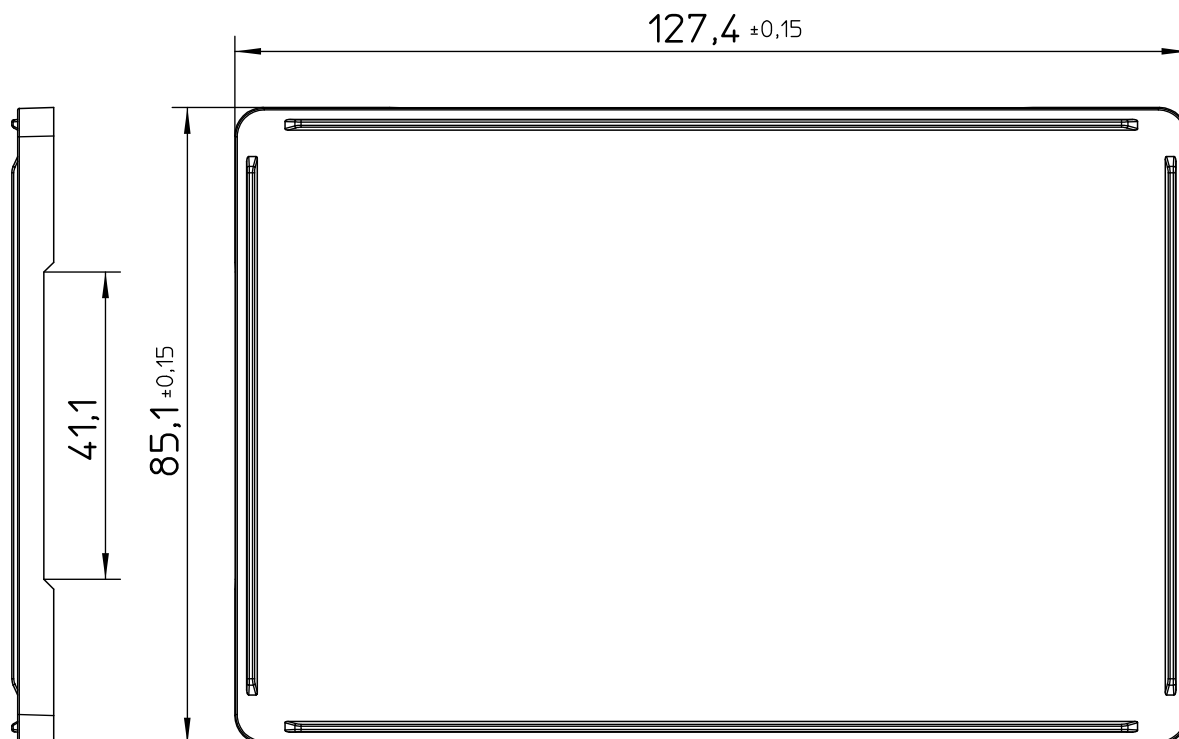
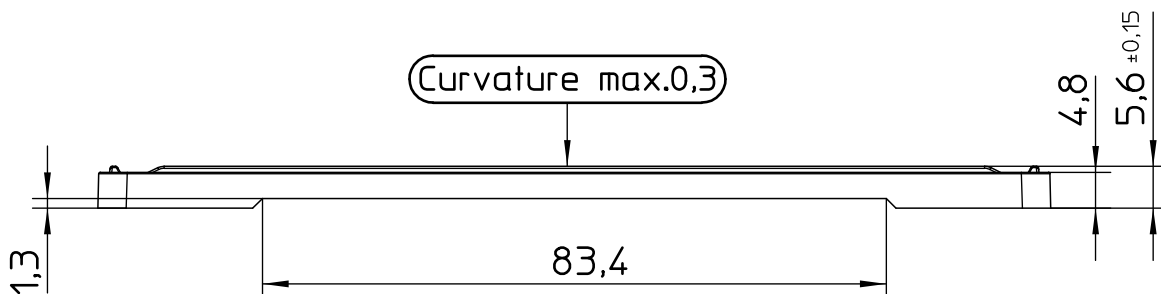
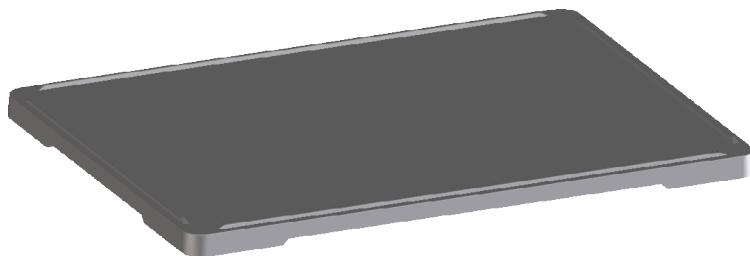
Customer drawing subject to change without notice!

Uncontrolled Copy

Prior Issue	Drawn	Approved	Released	CONFIDENTIAL: Information contained in this document or drawing is confidential and proprietary to Greiner Bio-One GmbH. This document may not be reproduced for any reason without written permission from Greiner Bio-One GmbH. All rights of design, invention, and copyright are reserved.
Revision 4	Date 2011/03/25	Date 2018/10/24	Date 2018/10/24	
Date 2017/01/31	Name forb	Name forb	Name sonntag	



Valid for Item-No.: 788983, 788986



"All dimensions in mm"

Customer drawing subject to change without notice!

Uncontrolled Copy

Prior Issue	Drawn	Approved	Released	CONFIDENTIAL: Information contained in this document or drawing is confidential and proprietary to Greiner Bio-One GmbH. This document may not be reproduced for any reason without written permission from Greiner Bio-One GmbH. All rights of design, invention, and copyright are reserved.
Revision 4	Date 2011/03/25	Date 2018/10/24	Date 2018/10/24	
Date 2017/01/31	Name forb	Name forb	Name sonntag	