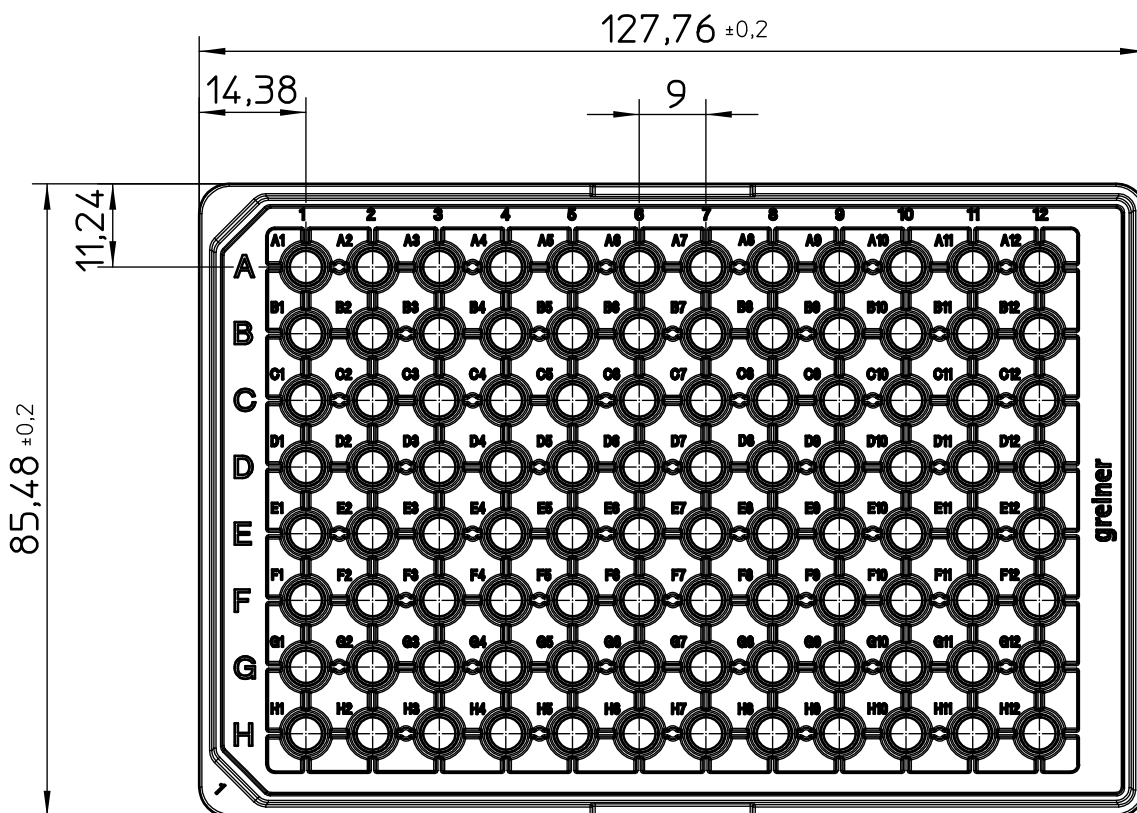


Curvature max. 0,20

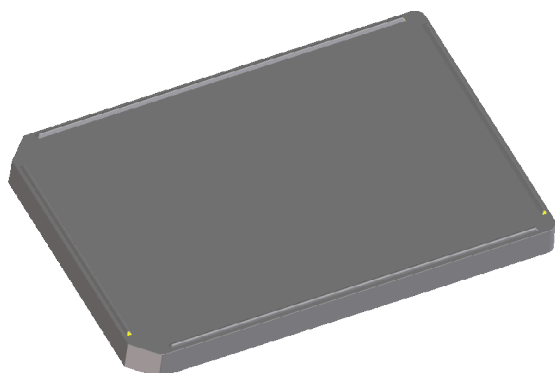


Customer drawing subject to change without notice!

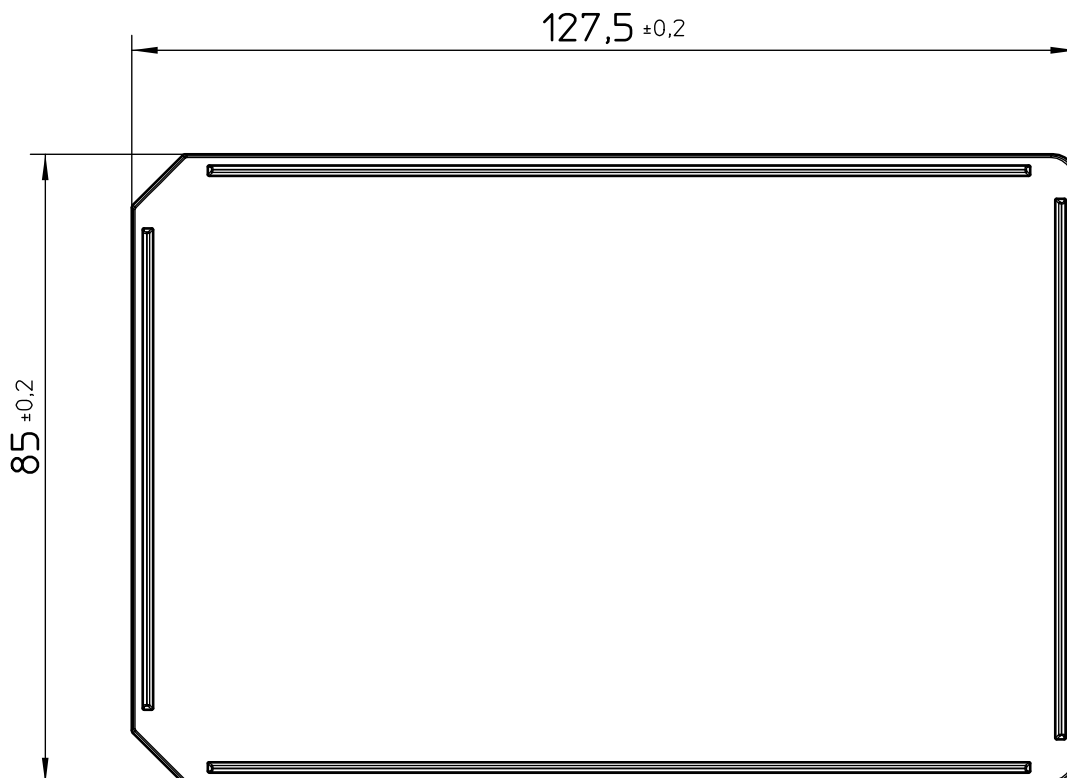
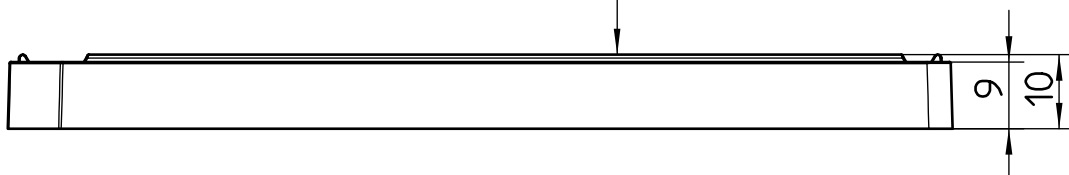
Uncontrolled Copy

Prior Issue	Drawn	Approved	Released	CONFIDENTIAL: Information contained in this document or drawing is confidential and proprietary to Greiner Bio-One GmbH. This document may not be reproduced for any reason without written permission from Greiner Bio-One GmbH. All rights of design, invention, and copyright are reserved.
Revision 1	Date 2015/03/19	Date 2017/02/03	Date 2017/02/03	
Date 2015/03/19	Name forb	Name kessler	Name sonntag	

Valid for Item-No.: 675083, 675086



Curvature +0.30
-0.30



"All dimensions in mm"

Customer drawing subject to change without notice!

Uncontrolled Copy

Prior Issue	Drawn	Approved	Released	CONFIDENTIAL: Information contained in this document or drawing is confidential and proprietary to Greiner Bio-One GmbH. This document may not be reproduced for any reason without written permission from Greiner Bio-One GmbH. All rights of design, invention, and copyright are reserved.
Revision 1	Date 2015/03/19	Date 2017/02/03	Date 2017/02/03	
Date 2015/03/19	Name forb	Name kessler	Name sonntag	