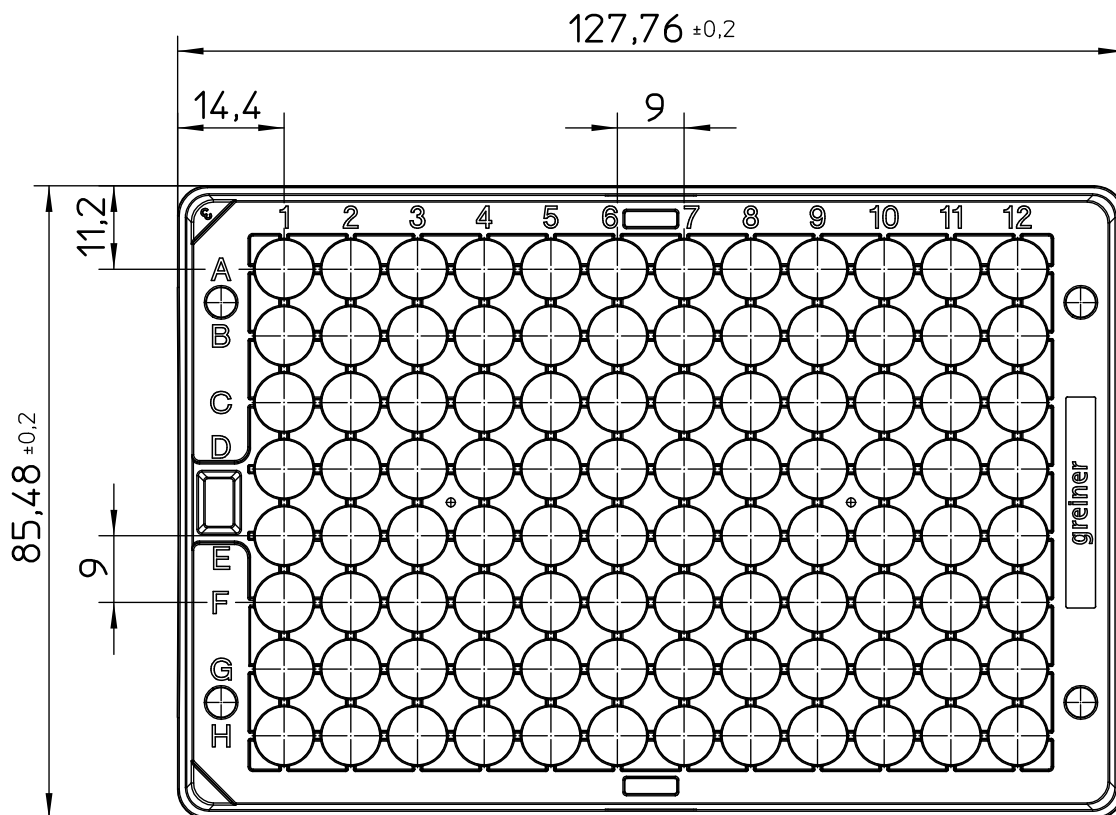
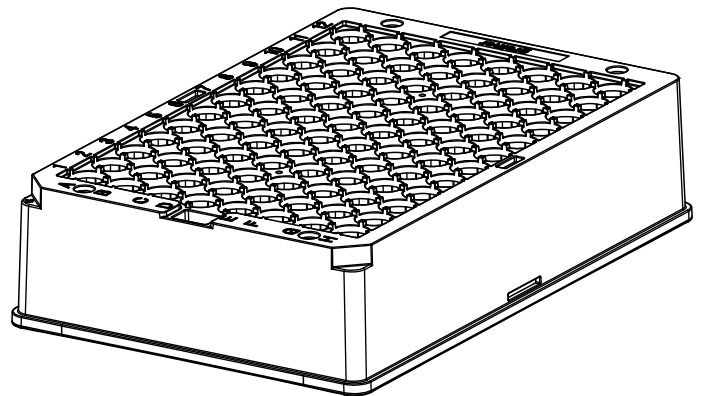
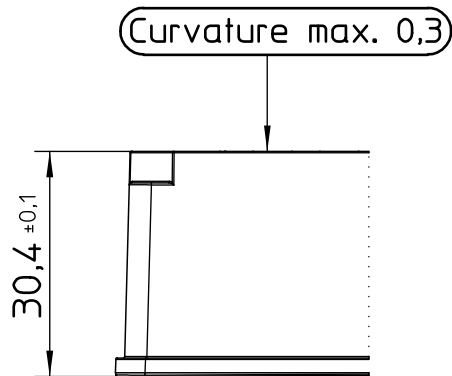


Valid for Item-No.: 977501, 977501-2D1



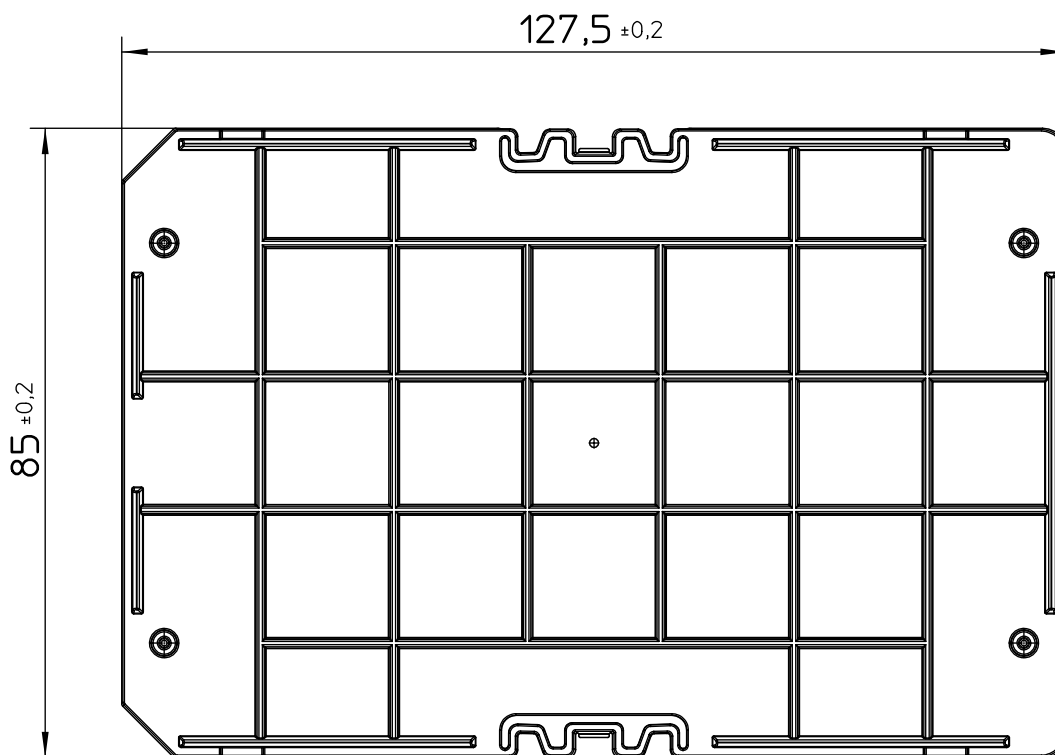
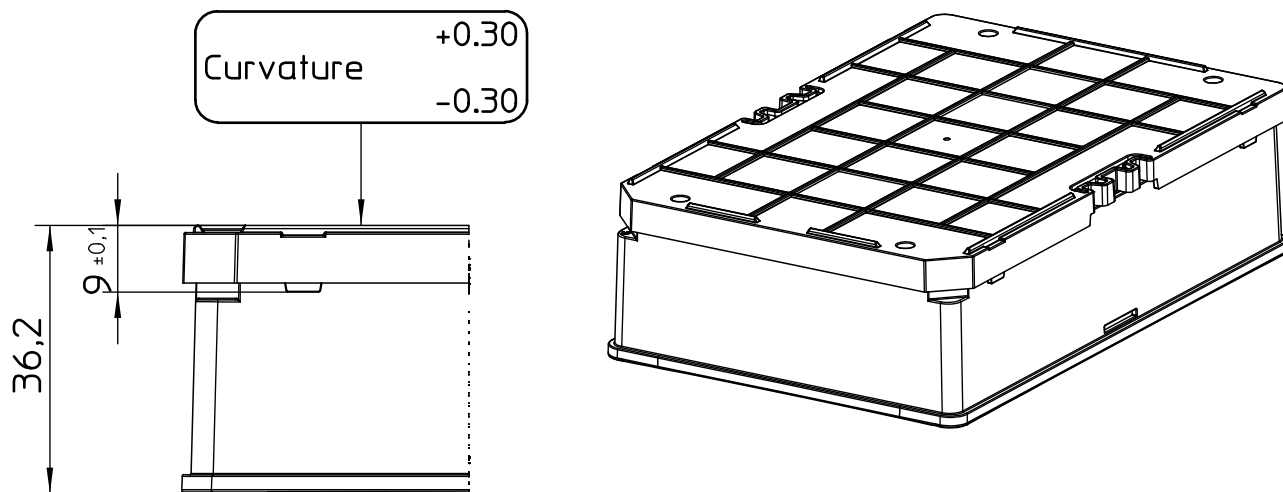
"All dimensions in mm"

Customer drawing subject to change without notice!

Uncontrolled Copy

Prior Issue	Drawn	Approved	Released	CONFIDENTIAL: Information contained in this document or drawing is confidential and proprietary to Greiner Bio-One GmbH. This document may not be reproduced for any reason without written permission from Greiner Bio-One GmbH. All rights of design, invention, and copyright are reserved.
Revision 4	Date 2014/03/24	Date 2022/11/03	Date 2022/11/03	
Date 2020/03/11	Name schwarzj	Name forb	Name kleber	

Valid for Item-No.: 977501, 977501-2D1



"All dimensions in mm"

Customer drawing subject to change without notice!

Uncontrolled Copy

Prior Issue	Drawn	Approved	Released	CONFIDENTIAL: Information contained in this document or drawing is confidential and proprietary to Greiner Bio-One GmbH. This document may not be reproduced for any reason without written permission from Greiner Bio-One GmbH. All rights of design, invention, and copyright are reserved.
Revision 4	Date 2014/03/24	Date 2022/11/03	Date 2022/11/03	
Date 2020/03/11	Name schwarzj	Name forb	Name kleber	