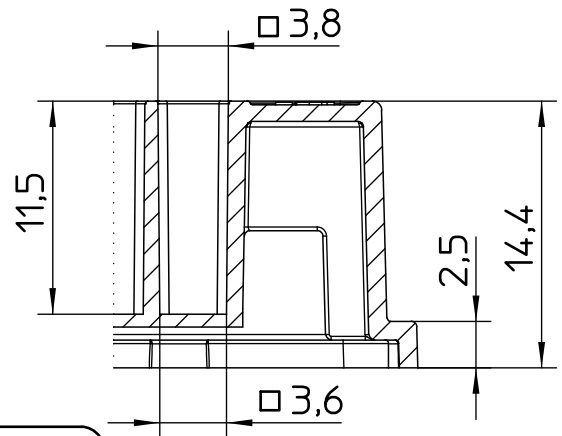
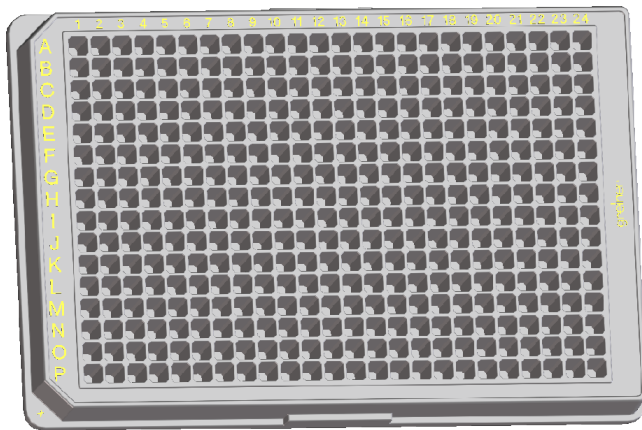
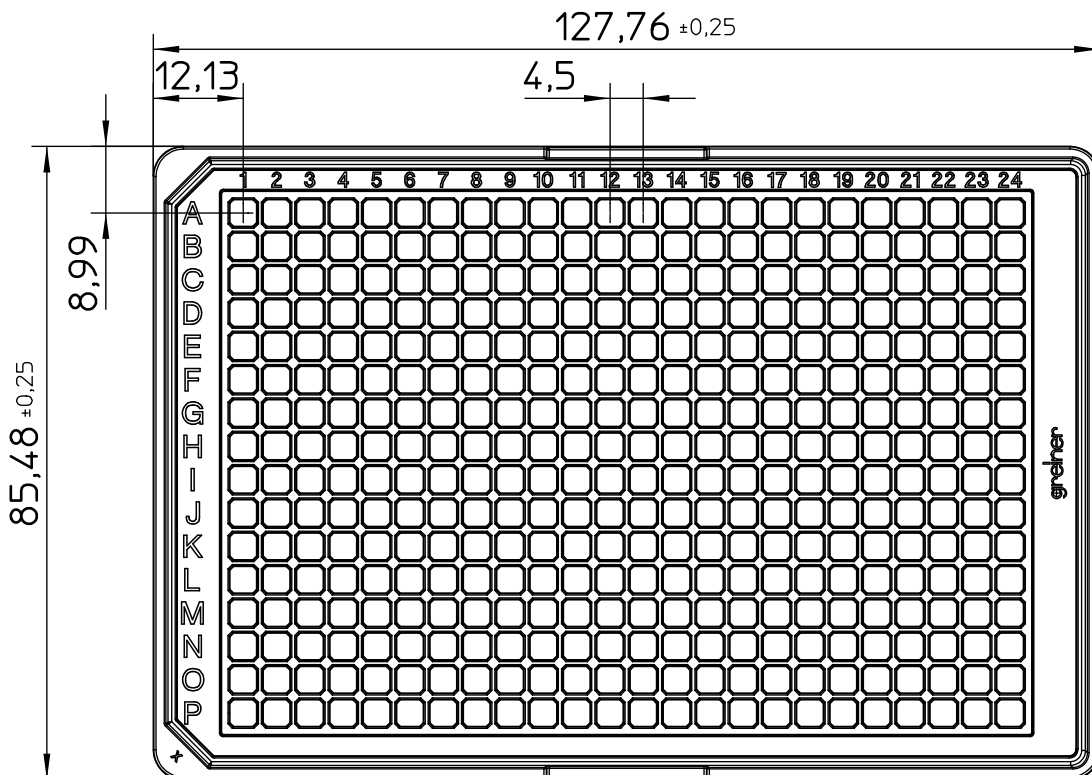
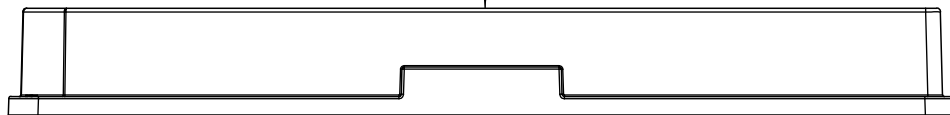


Valid for Item-No.: 781201, 781207, 781209



Curvature 0.35 \uparrow
0.05 \downarrow



"All dimensions in mm"

Customer drawing subject to change without notice!

Uncontrolled Copy

Prior Issue	Drawn	Approved	Released	CONFIDENTIAL: Information contained in this document or drawing is confidential and proprietary to Greiner Bio-One GmbH. This document may not be reproduced for any reason without written permission from Greiner Bio-One GmbH. All rights of design, invention, and copyright are reserved.
Revision 5	Date 2011/08/30	Date 2021/10/12	Date 2021/10/12	
Date 2017/08/03	Name forb	Name forb	Name schwarzj	