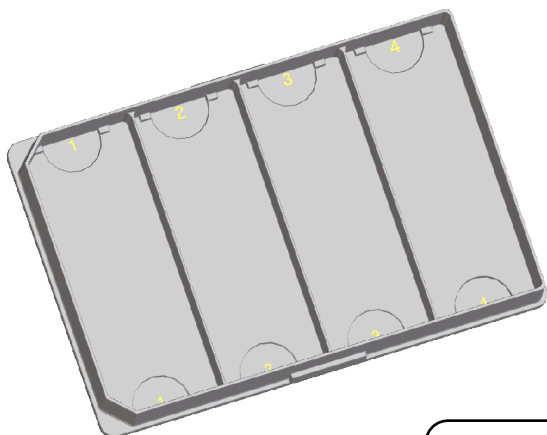
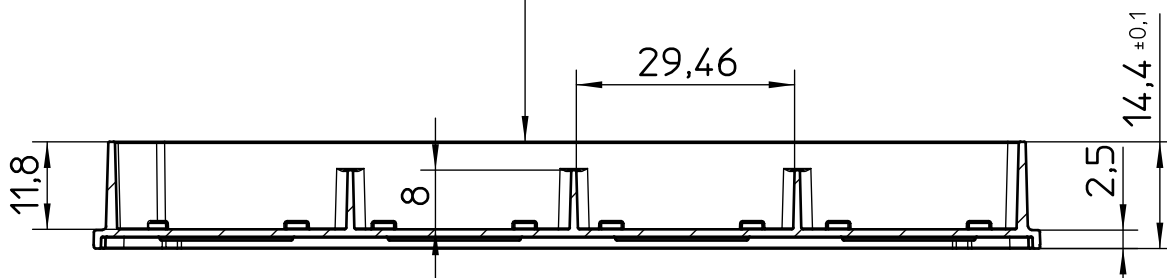


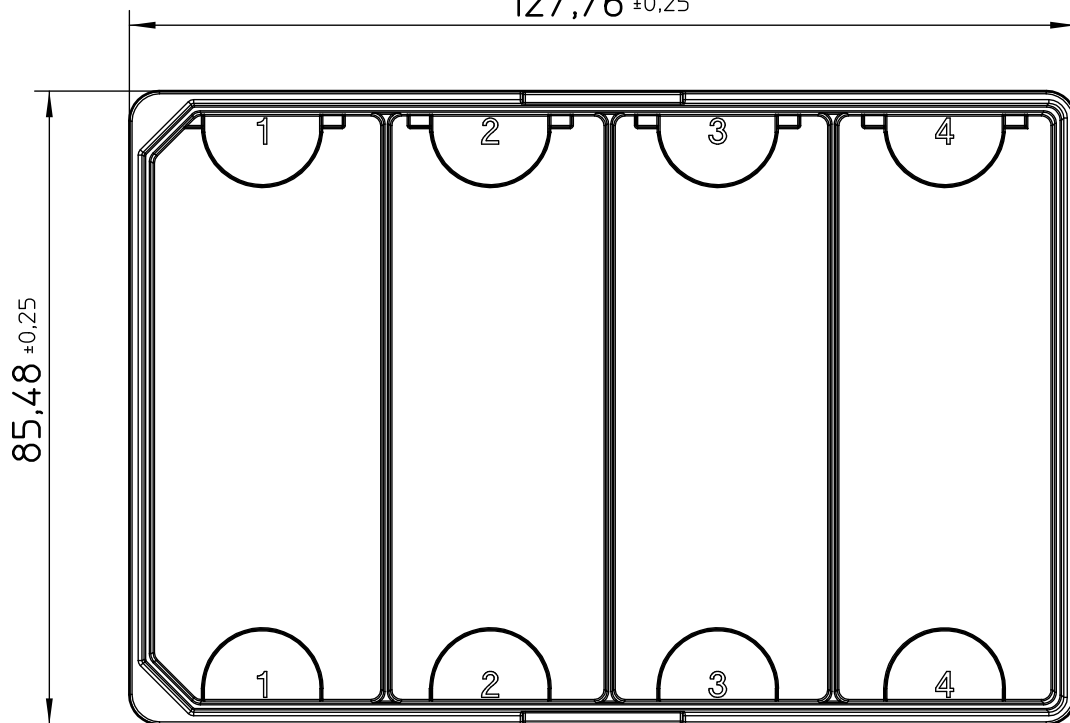
Valid for Item-No.: 96077307



Curvature +0,25  
-0,15



127,76 ±0,25



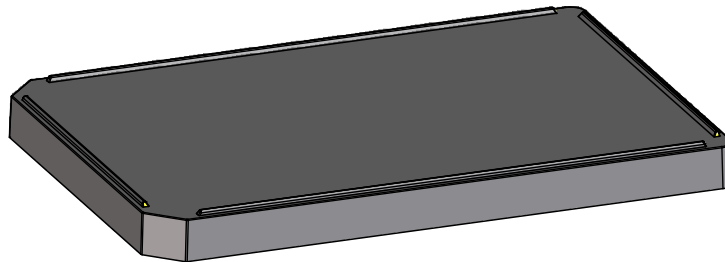
"All dimensions in mm"

Customer drawing subject to change without notice!

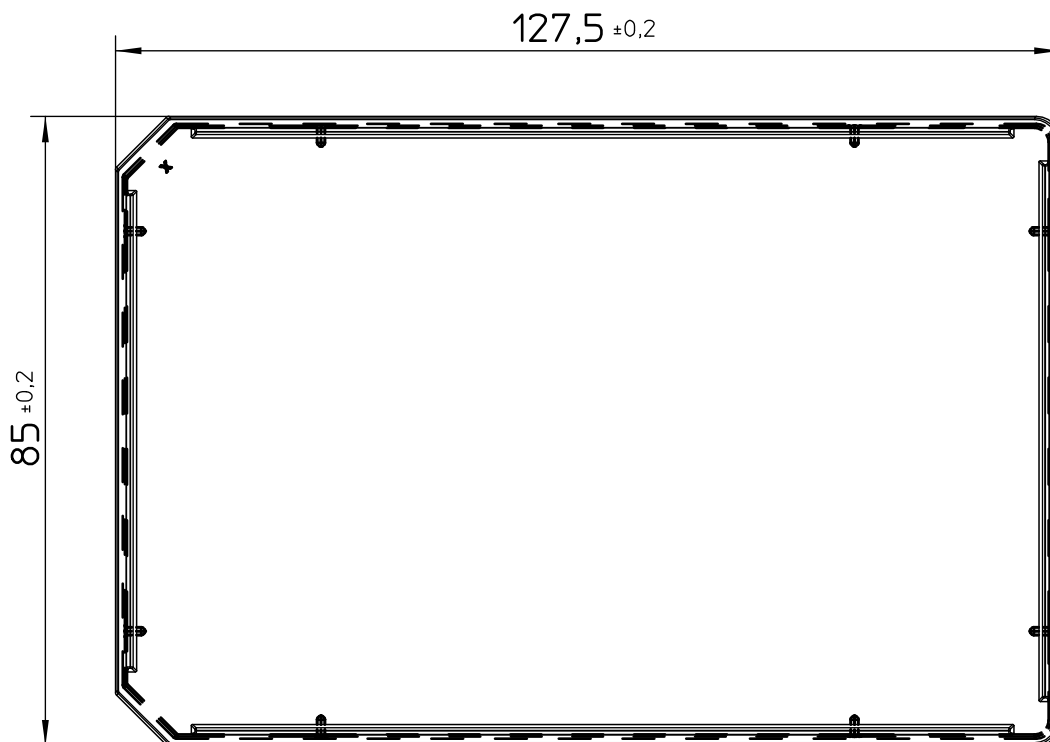
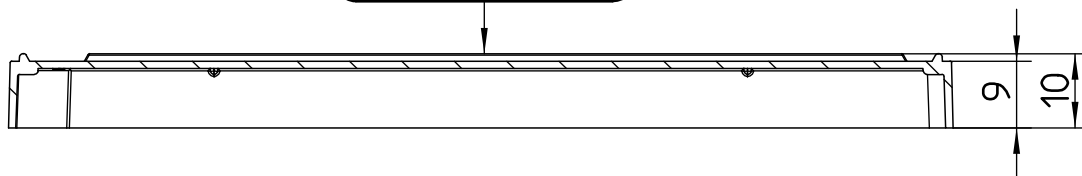
Uncontrolled Copy

Prior Issue	Drawn	Approved	Released	CONFIDENTIAL: Information contained in this document or drawing is confidential and proprietary to Greiner Bio-One GmbH. This document may not be reproduced for any reason without written permission from Greiner Bio-One GmbH. All rights of design, invention, and copyright are reserved.
Revision 3	Date 2016/12/08	Date 2022/11/07	Date 2022/11/08	
Date 2022/08/03	Name schwarzj	Name kleber	Name forb	

Valid for Item-No.: 96077307



Curvature +0,3  
-0,3



"All dimensions in mm"

Customer drawing subject to change without notice!

Uncontrolled Copy

Prior Issue	Drawn	Approved	Released	CONFIDENTIAL: Information contained in this document or drawing is confidential and proprietary to Greiner Bio-One GmbH. This document may not be reproduced for any reason without written permission from Greiner Bio-One GmbH. All rights of design, invention, and copyright are reserved.
Revision	Date	Date	Date	
3	2016/12/08	2022/11/07	2022/11/08	
Date	Name	Name	Name	
2022/08/03	schwarzj	kleber	forb	