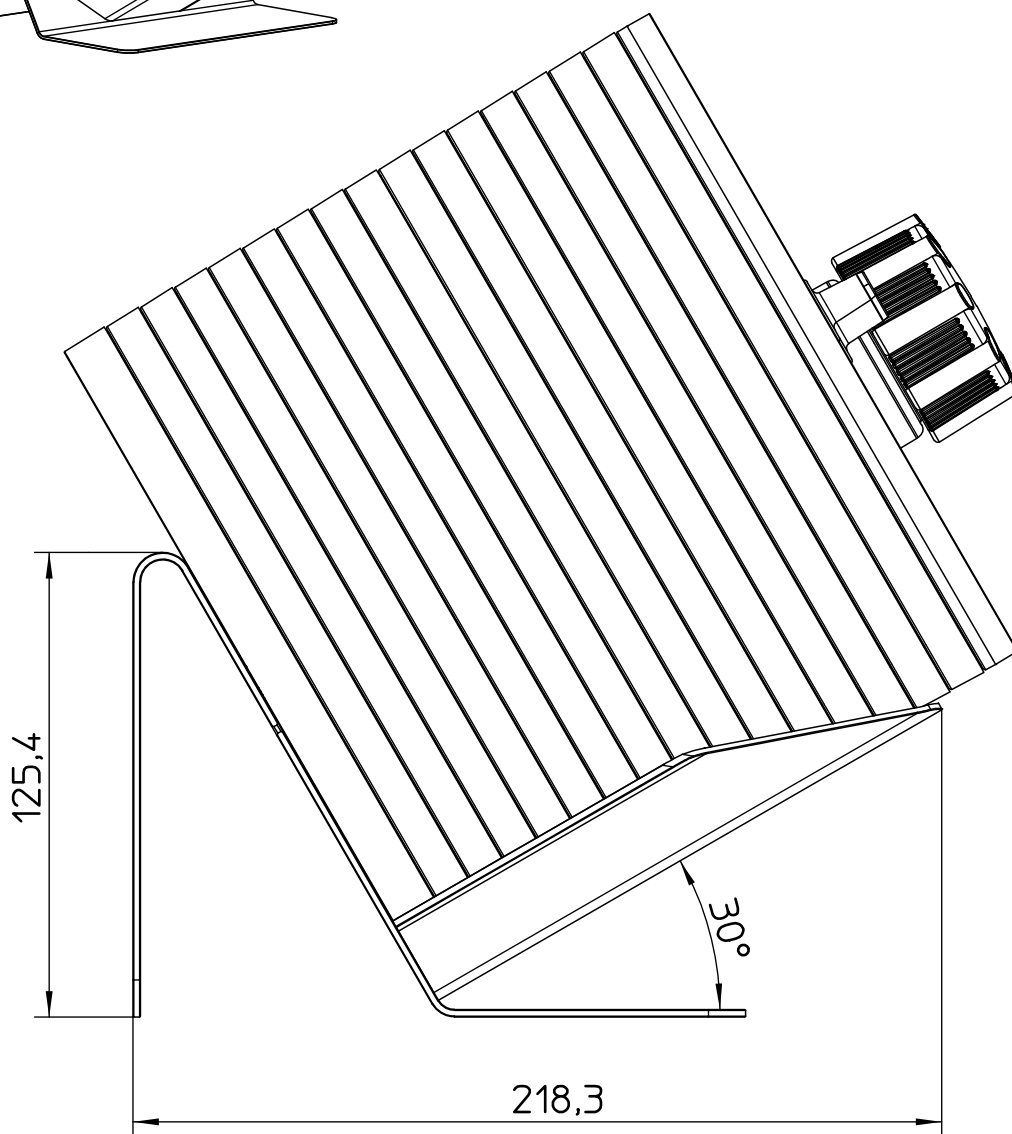
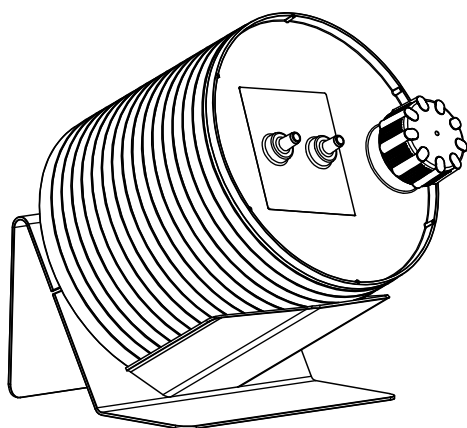


Valid for Item-No.: 878072



"All dimensions in mm"

Customer drawing subject to change without notice!

Uncontrolled Copy

Prior Issue	Drawn	Approved	Released	CONFIDENTIAL: Information contained in this document or drawing is confidential and proprietary to Greiner Bio-One GmbH. This document may not be reproduced for any reason without written permission from Greiner Bio-One GmbH. All rights of design, invention, and copyright are reserved.
Revision 3	Date 2020/05/19	Date 2022/11/07	Date 2022/11/08	
Date 2022/08/03	Name schwarzj	Name kleber	Name forb	