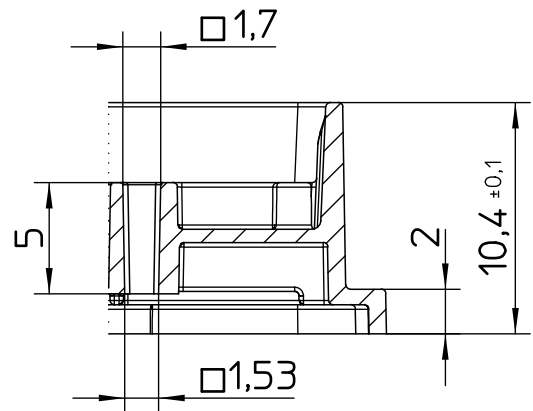
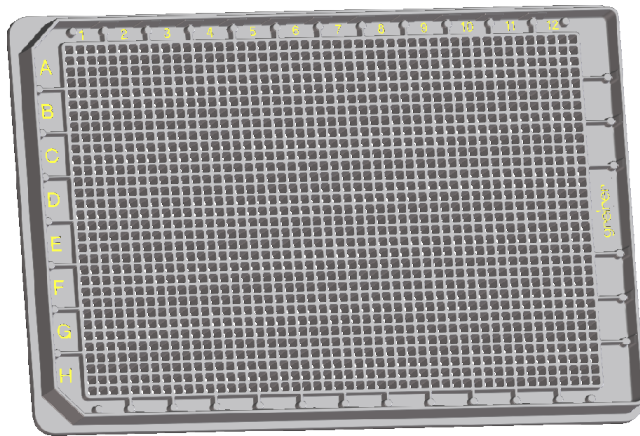
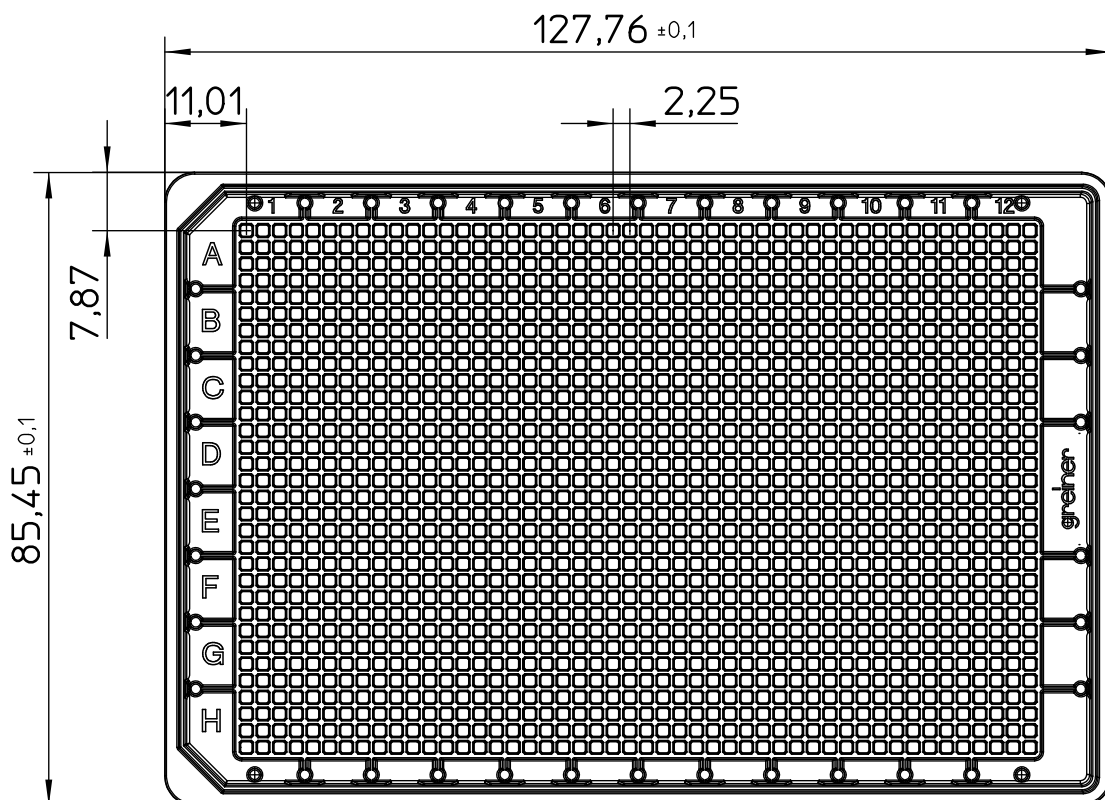
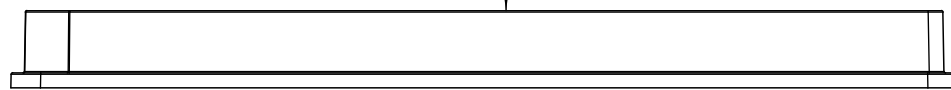


Valid for Item-No.: 783892, 783896



Curvature 0,1



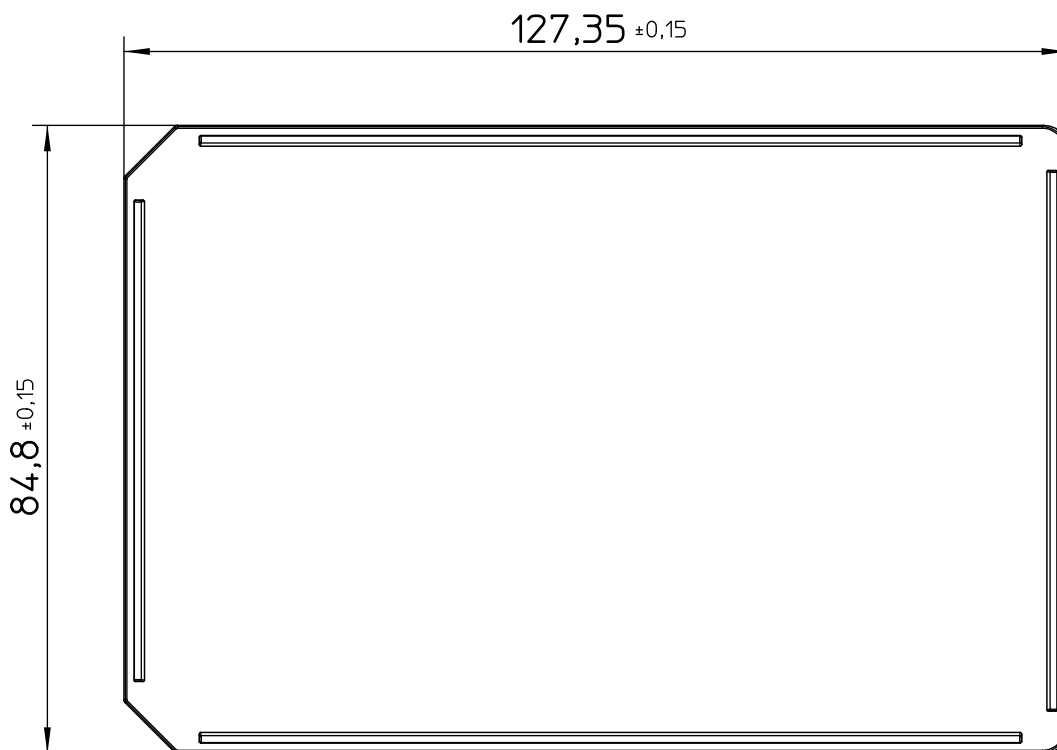
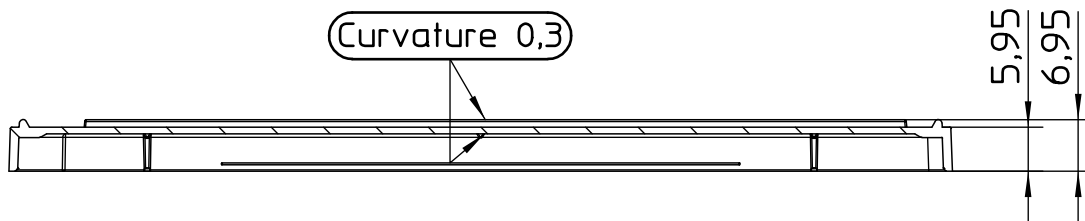
"All dimensions in mm"

Customer drawing subject to change without notice!

Uncontrolled Copy

Prior Issue	Drawn	Approved	Released	CONFIDENTIAL: Information contained in this document or drawing is confidential and proprietary to Greiner Bio-One GmbH. This document may not be reproduced for any reason without written permission from Greiner Bio-One GmbH. All rights of design, invention, and copyright are reserved.
Revision 5	Date 2011/09/01	Date 2021/12/06	Date 2022/11/07	
Date 2018/03/02	Name forb	Name forb	Name kleber	

Valid for Item-No.: 783892, 783896



Only Item-No. 783892 with lid

"All dimensions in mm"  
Customer drawing subject to change without notice!

Uncontrolled Copy

Prior Issue	Drawn	Approved	Released	CONFIDENTIAL: Information contained in this document or drawing is confidential and proprietary to Greiner Bio-One GmbH. This document may not be reproduced for any reason without written permission from Greiner Bio-One GmbH. All rights of design, invention, and copyright are reserved.
Revision 5	Date 2011/09/01	Date 2021/12/06	Date 2022/11/07	
Date 2018/03/02	Name forb	Name forb	Name kleber	