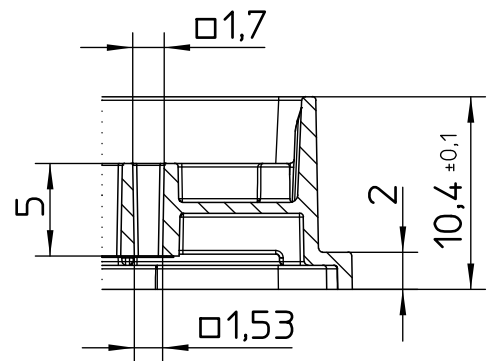
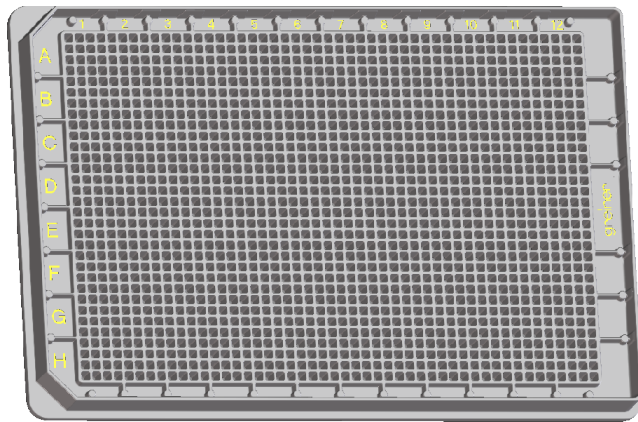
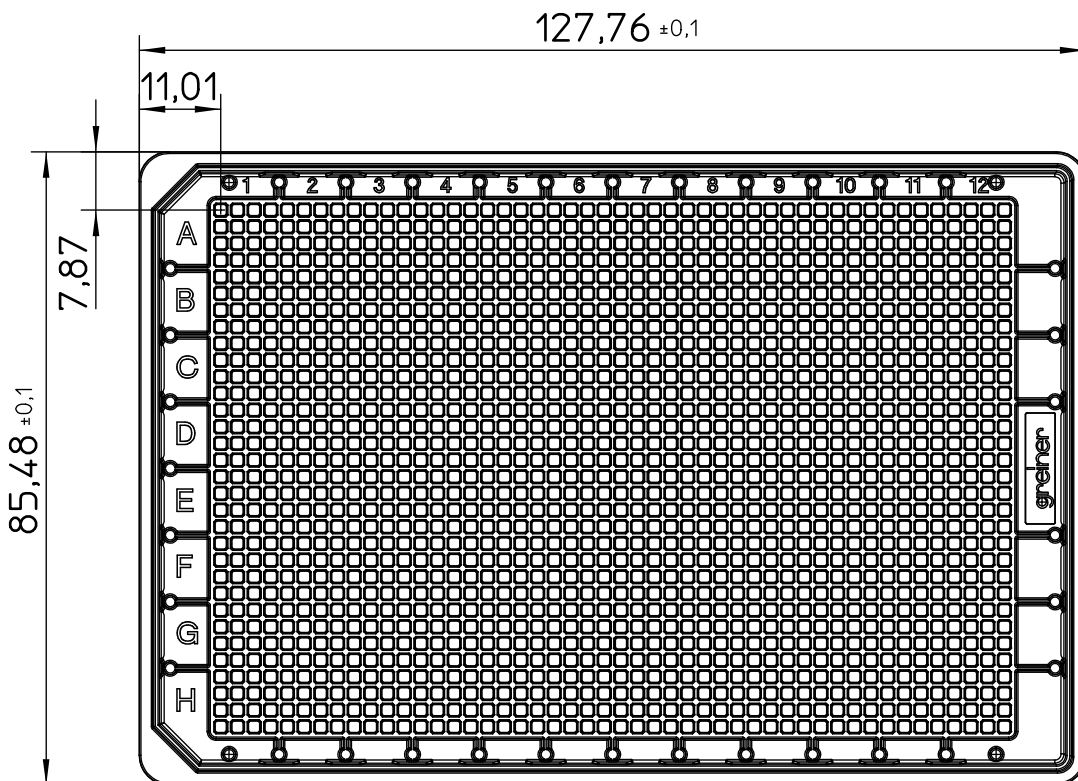
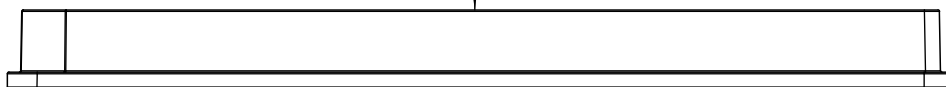


Valid for Item-No.: 783092, 783093, 783095, 783096



Curvature max.0,1



"All dimensions in mm"

Customer drawing subject to change without notice!

Uncontrolled Copy

Prior Issue	Drawn	Approved	Released	CONFIDENTIAL: Information contained in this document or drawing is confidential and proprietary to Greiner Bio-One GmbH. This document may not be reproduced for any reason without written permission from Greiner Bio-One GmbH. All rights of design, invention, and copyright are reserved.
Revision	Date	Date	Date	
2	2011/03/23	2021/12/07	2022/11/07	
Date	Name	Name	Name	
2015/03/11	forb	forb	kleber	