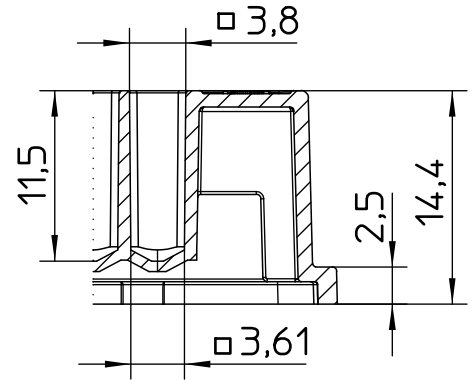
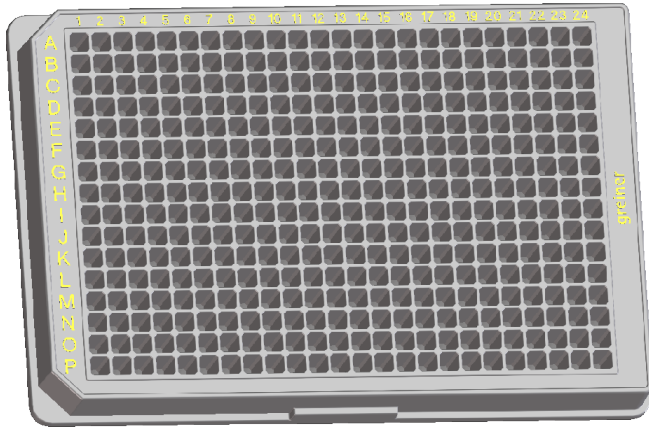
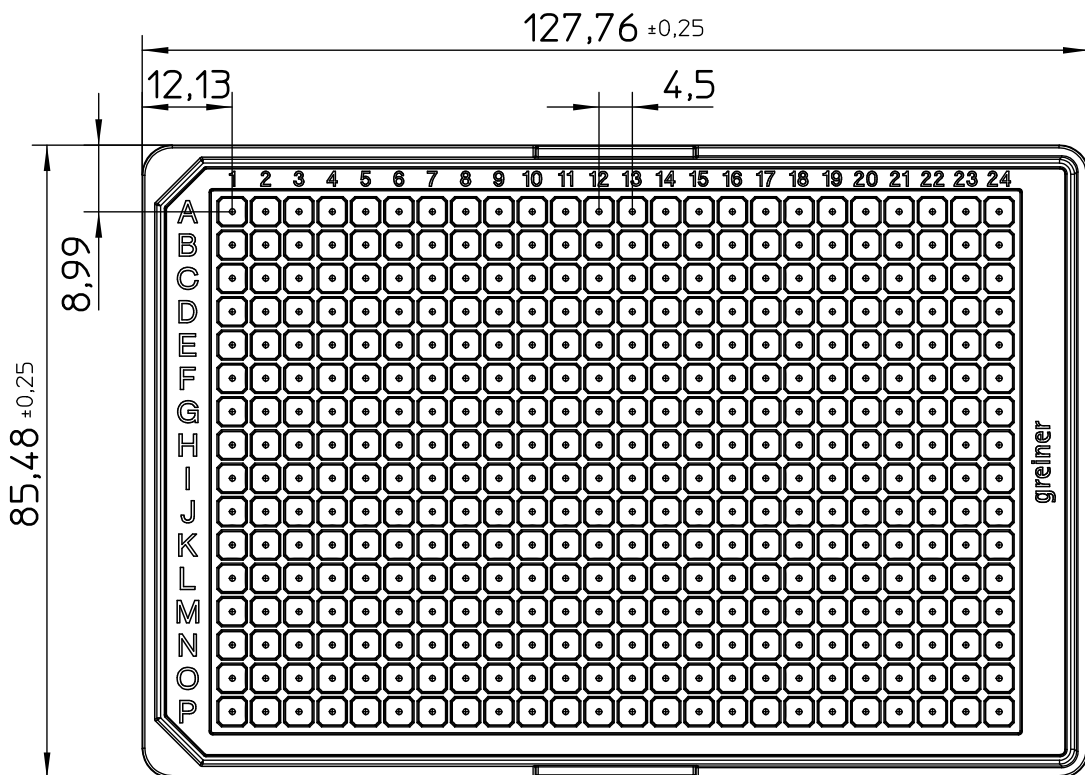
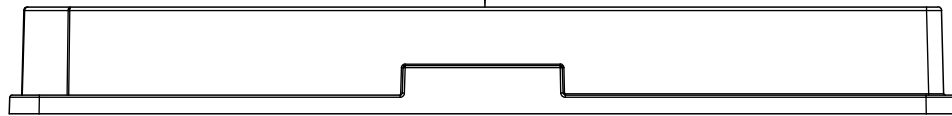


Valid for Item-No.: 781280, 781281



Curvature \updownarrow Max.Diff 0.25



"All dimensions in mm"

Customer drawing subject to change without notice!

Uncontrolled Copy

Prior Issue	Drawn	Approved	Released	CONFIDENTIAL: Information contained in this document or drawing is confidential and proprietary to Greiner Bio-One GmbH. This document may not be reproduced for any reason without written permission from Greiner Bio-One GmbH. All rights of design, invention, and copyright are reserved.
Revision 5	Date 2011/08/30	Date 2023/08/02	Date 2023/08/02	
Date 2020/10/08	Name forb	Name forb	Name kleber	