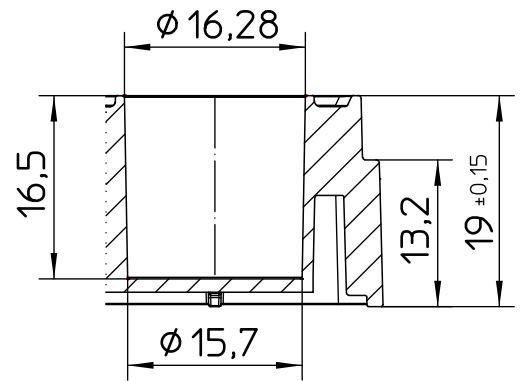
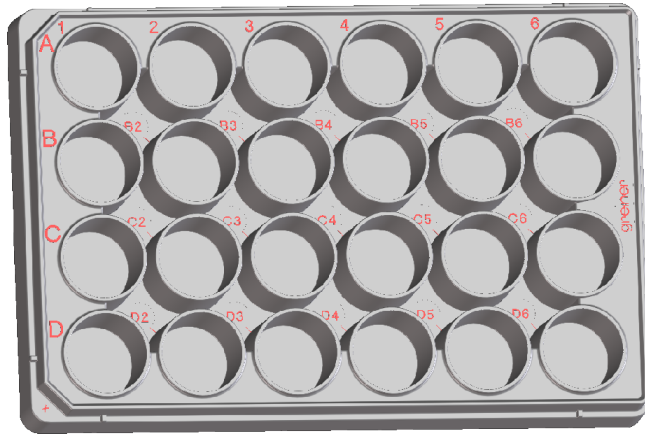
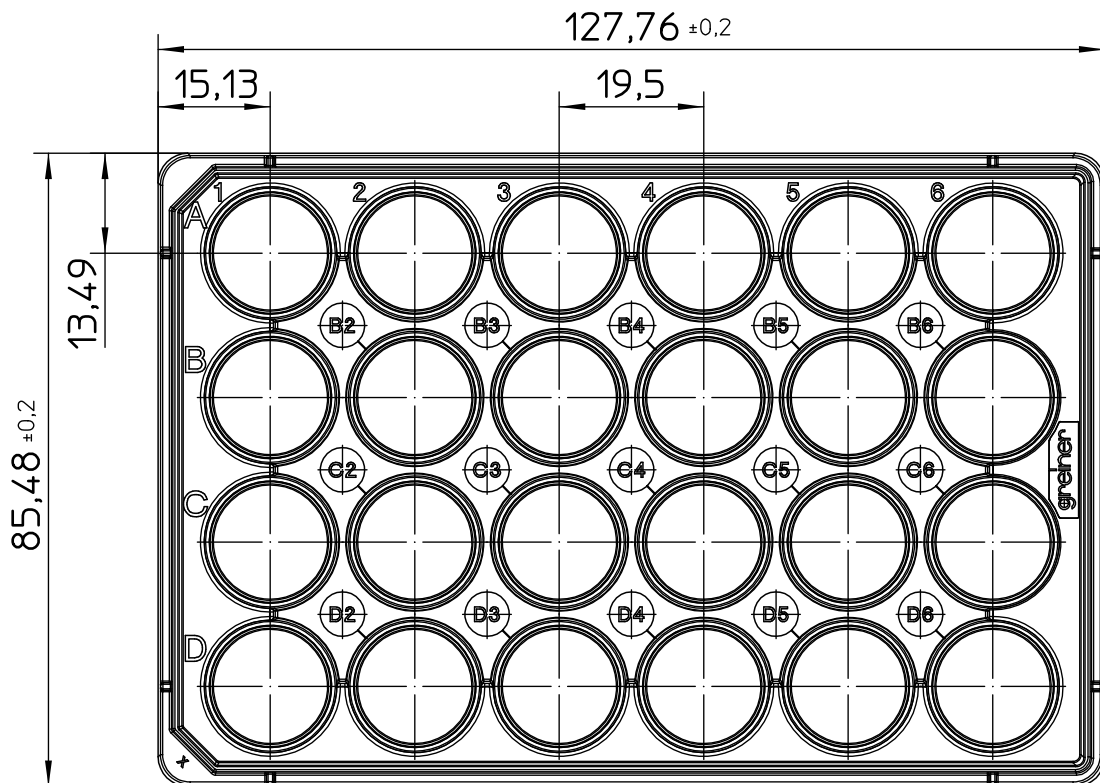
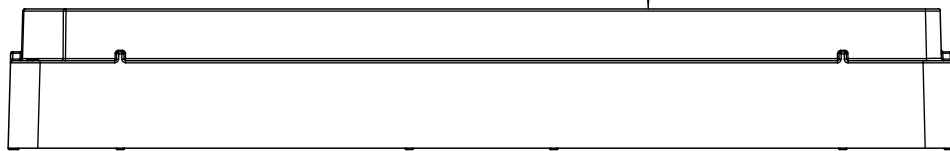


Valid for Item-No.: 662910, 662930, 662940, 662950



Curvature 0,2



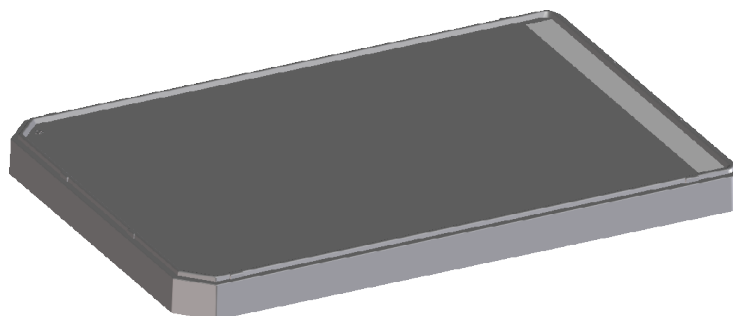
"All dimensions in mm"

Customer drawing subject to change without notice!

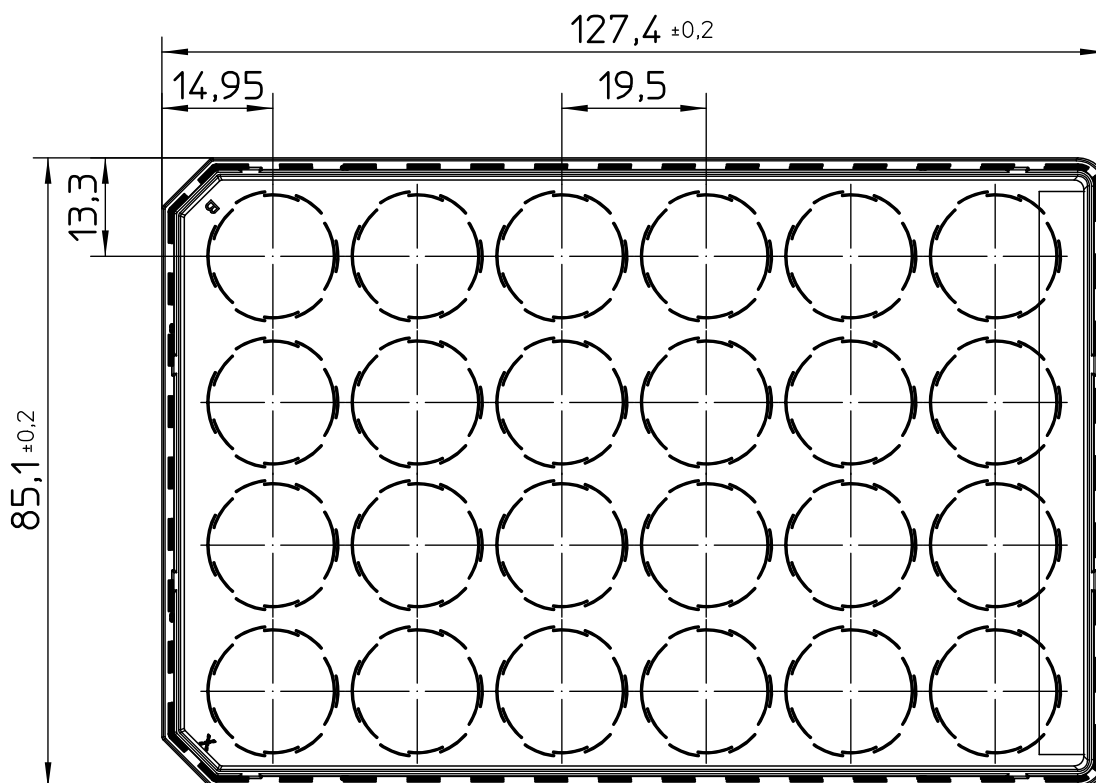
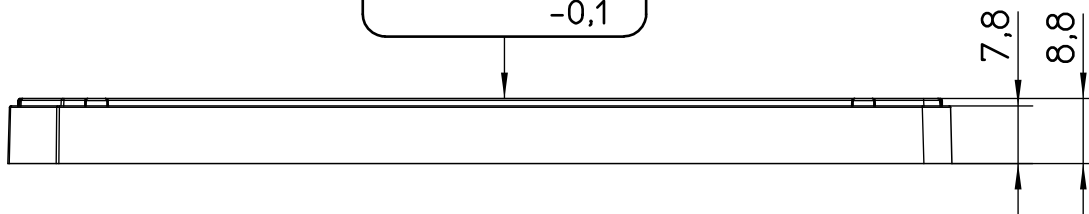
Uncontrolled Copy

Prior Issue	Drawn	Approved	Released	CONFIDENTIAL: Information contained in this document or drawing is confidential and proprietary to Greiner Bio-One GmbH. This document may not be reproduced for any reason without written permission from Greiner Bio-One GmbH. All rights of design, invention, and copyright are reserved.
Revision 8	Date 2011/04/19	Date 2024/09/20	Date 2024/09/20	
Date 2023/07/19	Name forb	Name kleber	Name ziegler	

Valid for Item-No.: 662910, 662930, 662940, 662950



Curvature +0,3  
-0,1



"All dimensions in mm"

Customer drawing subject to change without notice!

Uncontrolled Copy

Prior Issue	Drawn	Approved	Released	CONFIDENTIAL: Information contained in this document or drawing is confidential and proprietary to Greiner Bio-One GmbH. This document may not be reproduced for any reason without written permission from Greiner Bio-One GmbH. All rights of design, invention, and copyright are reserved.
Revision 8	Date 2011/04/19	Date 2024/09/20	Date 2024/09/20	
Date 2023/07/19	Name forb	Name kleber	Name ziegler	