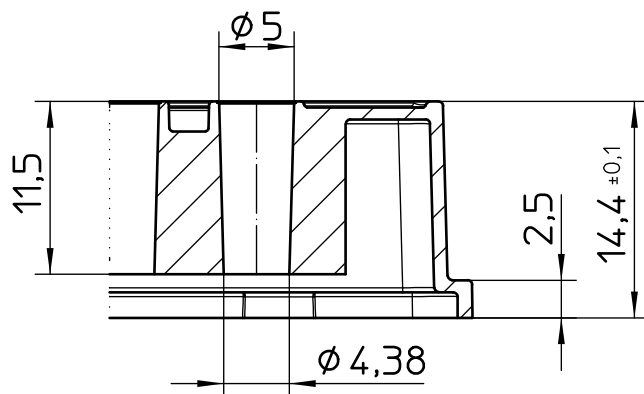
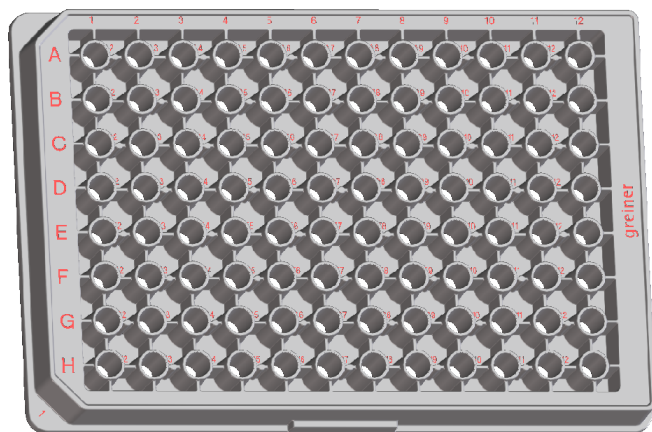
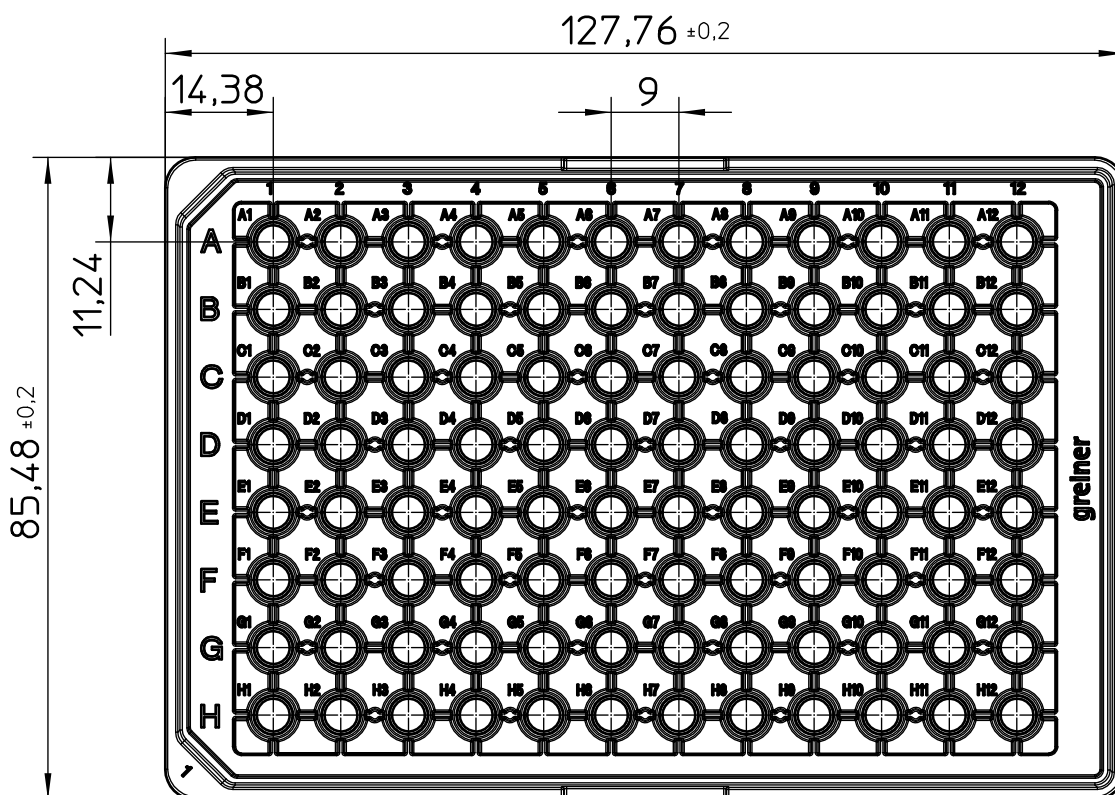
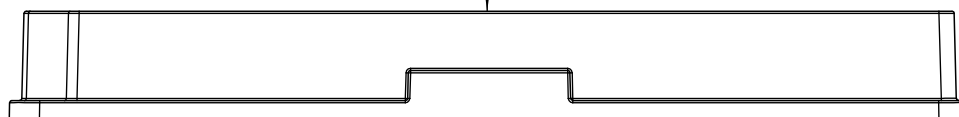




Valid for Item-No.: 675090, 675094, 675095, 675096, 675097, 675098



Curvature max.0,2



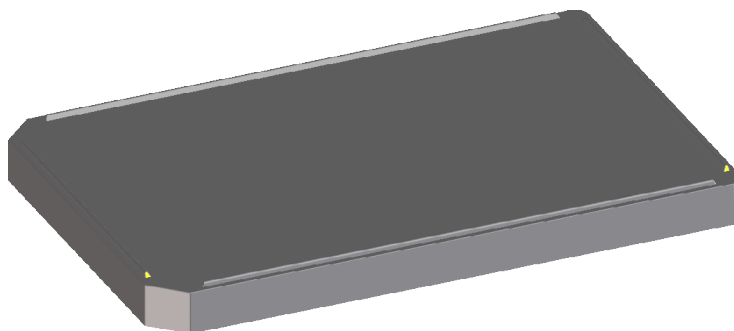
"All dimensions in mm"

Customer drawing subject to change without notice!

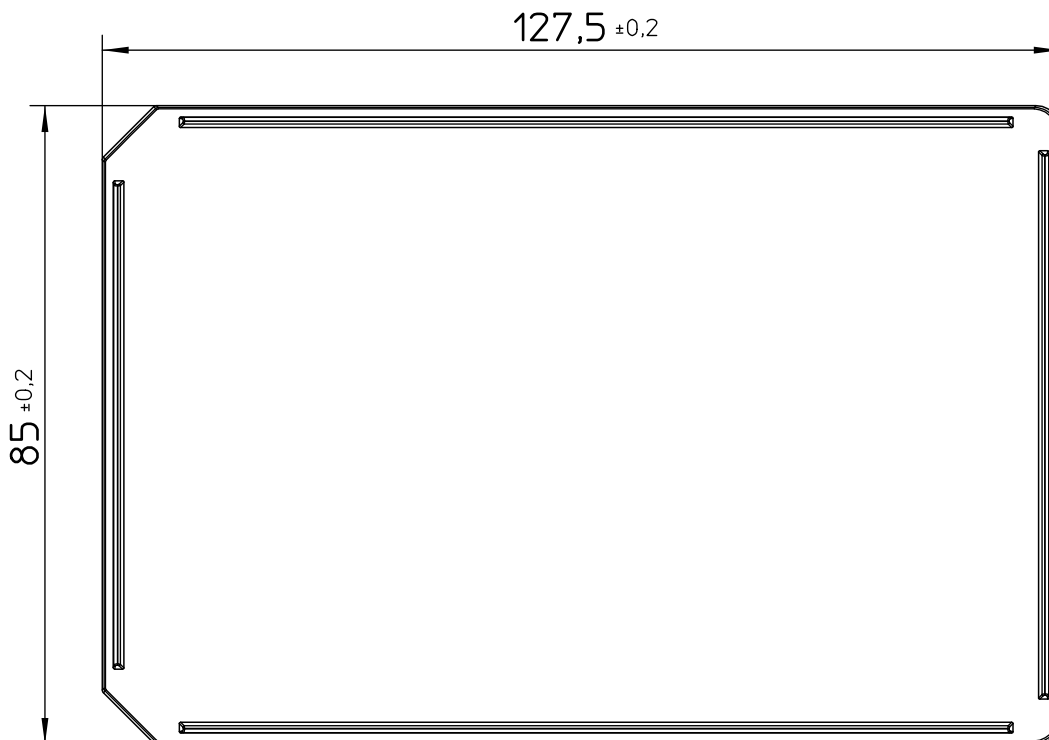
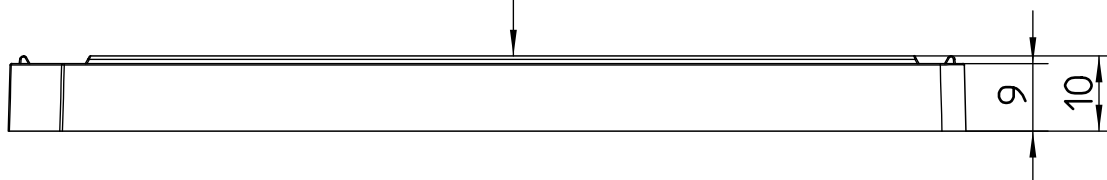
Uncontrolled Copy

Prior Issue	Drawn	Approved	Released	CONFIDENTIAL: Information contained in this document or drawing is confidential and proprietary to Greiner Bio-One GmbH. This document may not be reproduced for any reason without written permission from Greiner Bio-One GmbH. All rights of design, invention, and copyright are reserved.
Revision 1	Date 2011/02/21	Date 2017/02/03	Date 2017/02/03	
Date 2011/02/21	Name forb	Name kessler	Name sonntag	

Valid for Item-No.: 675090, 675094, 675095, 675096, 675097, 675098



Curvature +0,3
-0,3



Only Part-No. 675090, 675098 with lid

"All dimensions in mm"

Customer drawing subject to change without notice!

Uncontrolled Copy

Prior Issue	Drawn	Approved	Released	CONFIDENTIAL: Information contained in this document or drawing is confidential and proprietary to Greiner Bio-One GmbH. This document may not be reproduced for any reason without written permission from Greiner Bio-One GmbH. All rights of design, invention, and copyright are reserved.
Revision 1	Date 2011/02/21	Date 2017/02/03	Date 2017/02/03	
Date 2011/02/21	Name forb	Name kessler	Name sonntag	