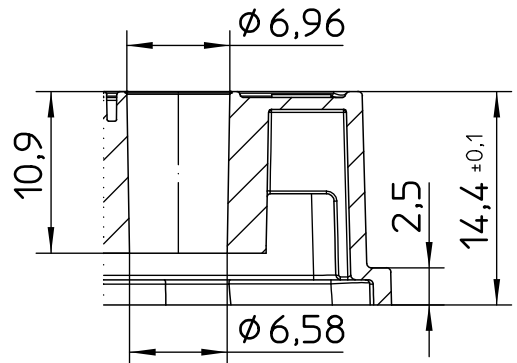
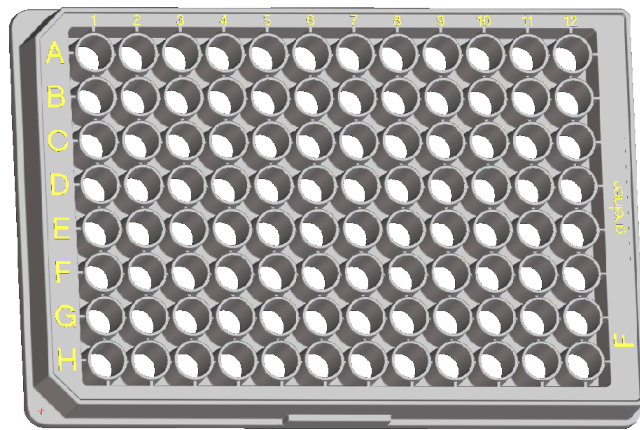
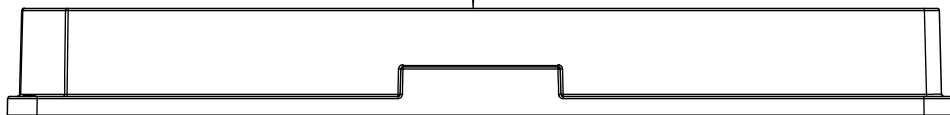


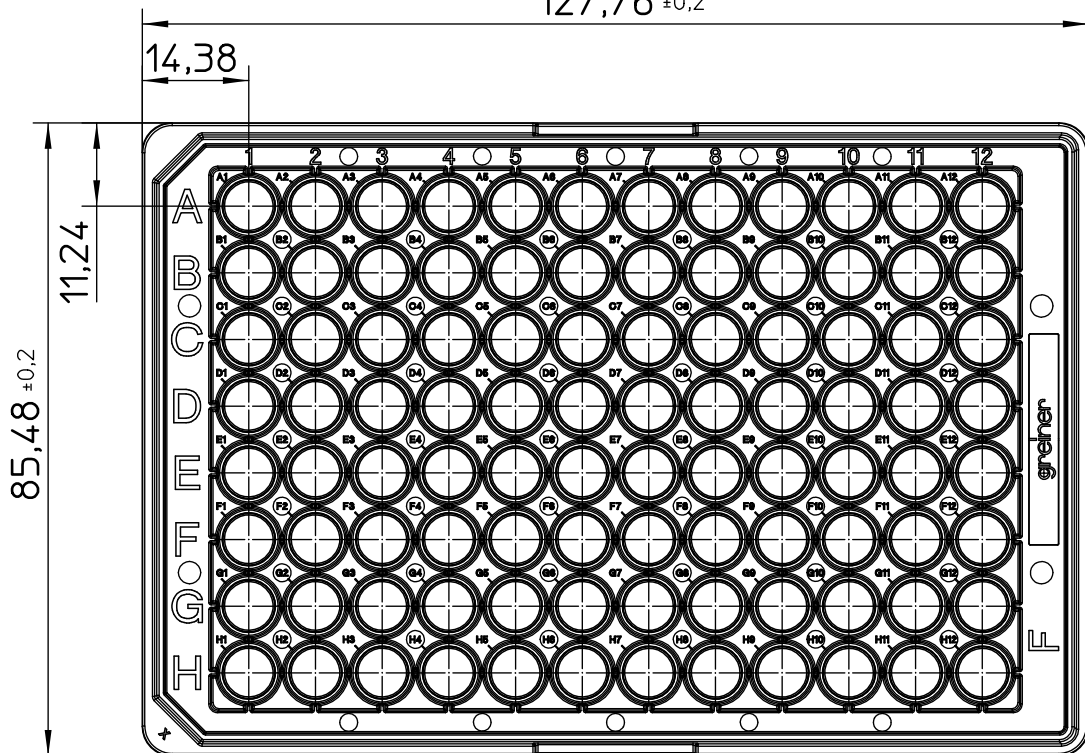
Valid for Item-No.: 655090, 655094, 655095, 655096, 655097, 655098



Curvature max.0,2



127,76 ± 0,2



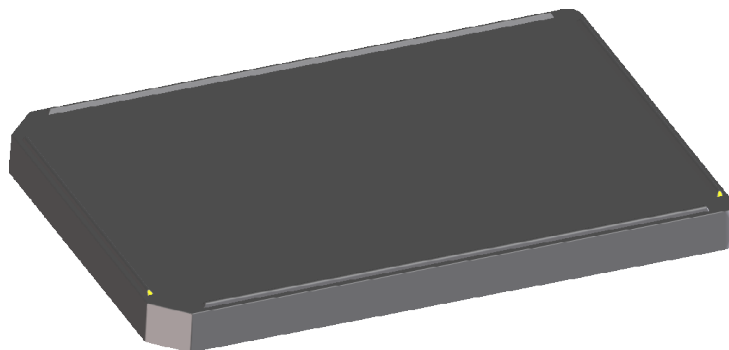
"All dimensions in mm"

Customer drawing subject to change without notice!

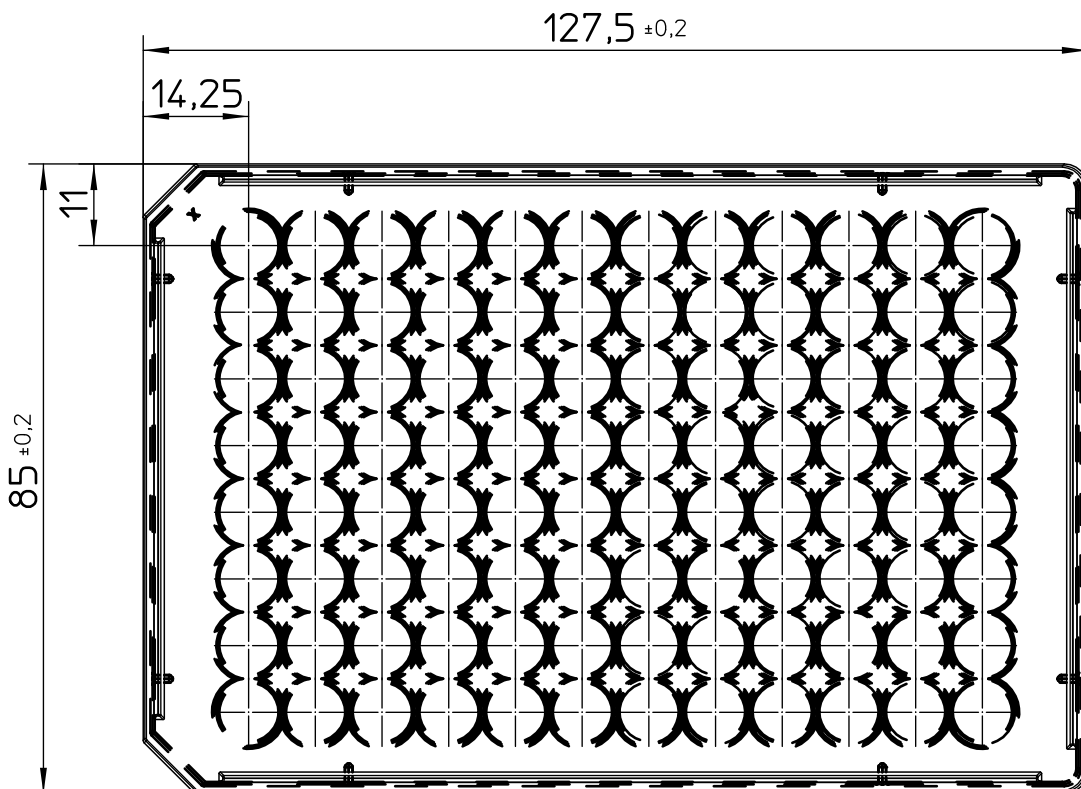
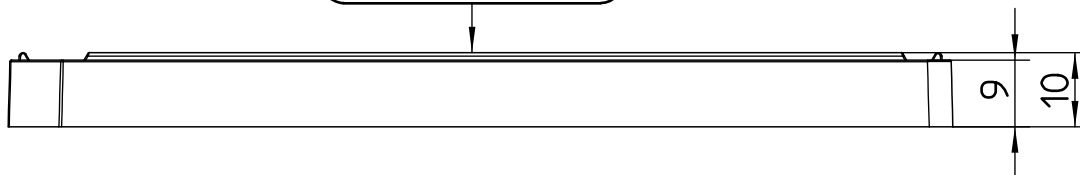
Uncontrolled Copy

Prior Issue	Drawn	Approved	Released	CONFIDENTIAL: Information contained in this document or drawing is confidential and proprietary to Greiner Bio-One GmbH. This document may not be reproduced for any reason without written permission from Greiner Bio-One GmbH. All rights of design, invention, and copyright are reserved.
Revision	Date	Date	Date	
2	2011/03/24	2021/09/27	2021/09/27	
Date	Name	Name	Name	
2015/01/22	forb	forb	schwarzj	

Valid for Item-No.: 655090, 655094, 655095, 655096, 655097, 655098



Curvature $+0,3$
 $-0,3$



"All dimensions in mm"

Customer drawing subject to change without notice!

Uncontrolled Copy

Prior Issue	Drawn	Approved	Released	CONFIDENTIAL: Information contained in this document or drawing is confidential and proprietary to Greiner Bio-One GmbH. This document may not be reproduced for any reason without written permission from Greiner Bio-One GmbH. All rights of design, invention, and copyright are reserved.
Revision 2	Date 2011/03/24	Date 2021/09/27	Date 2021/09/27	
Date 2015/01/22	Name forb	Name forb	Name schwarzj	