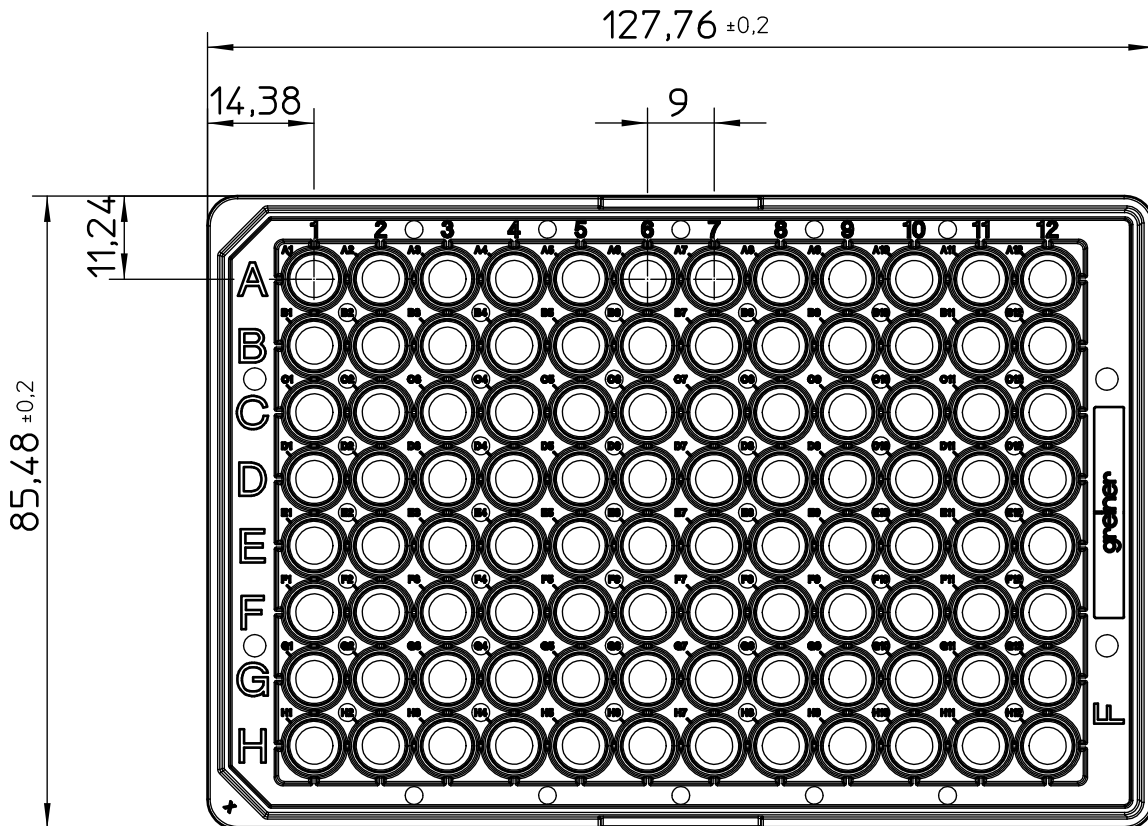
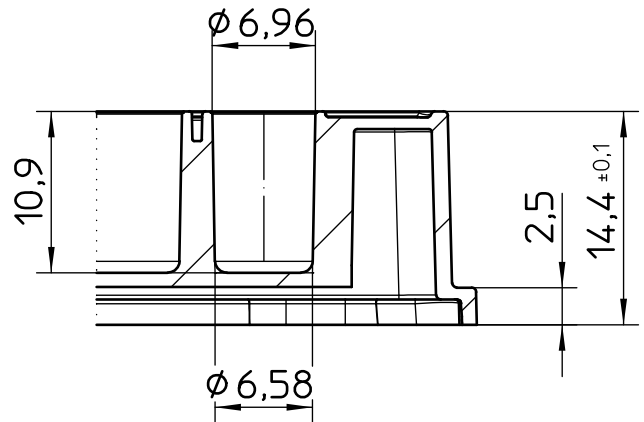


Valid for Item-No.: 655009, 655010, 655084, 655085



"All dimensions in mm"

Customer drawing subject to change without notice!

Uncontrolled Copy

| Prior Issue | Drawn | Approved | Released | CONFIDENTIAL: Information contained in this document or drawing is confidential and proprietary to Greiner Bio-One GmbH. This document may not be reproduced for any reason without written permission from Greiner Bio-One GmbH. All rights of design, invention, and copyright are reserved. |
|-----------------|-----------------|-----------------|-----------------|--|
| Revision 4 | Date 2011/03/22 | Date 2024/07/11 | Date 2024/07/11 | |
| Date 2022/11/14 | Name forb | Name kleber | Name ziegler | |