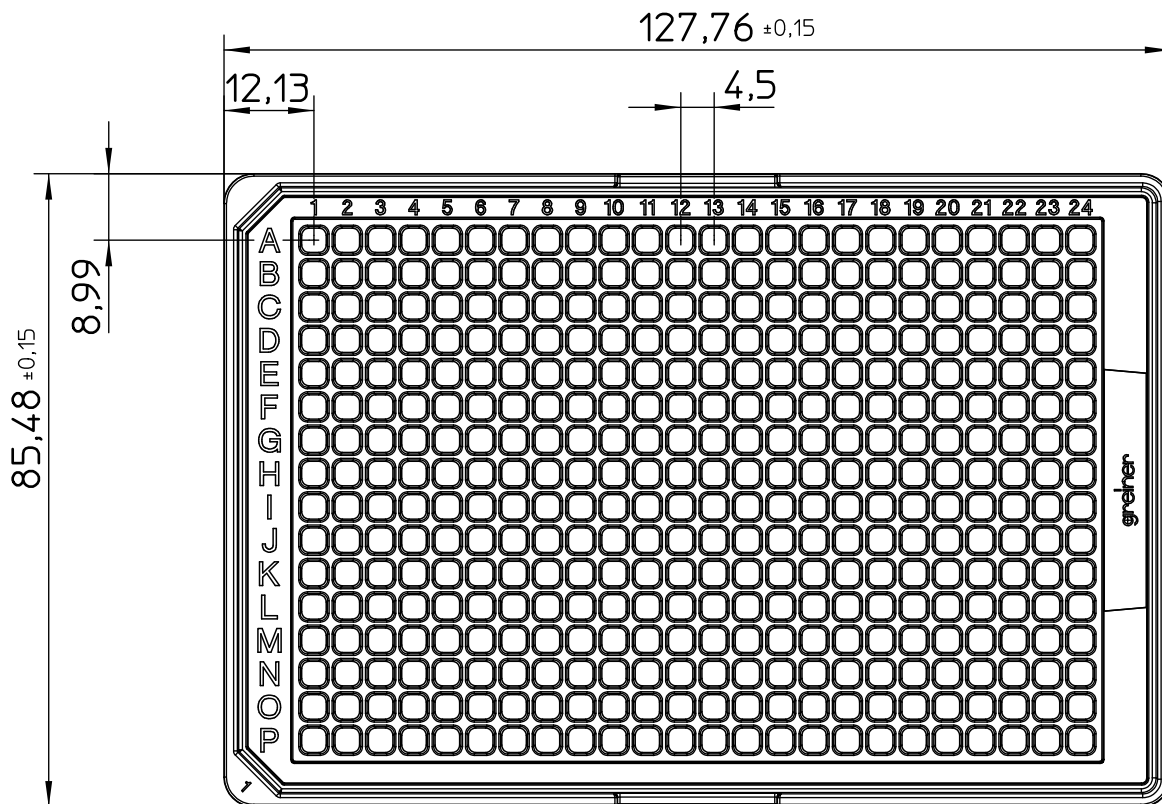
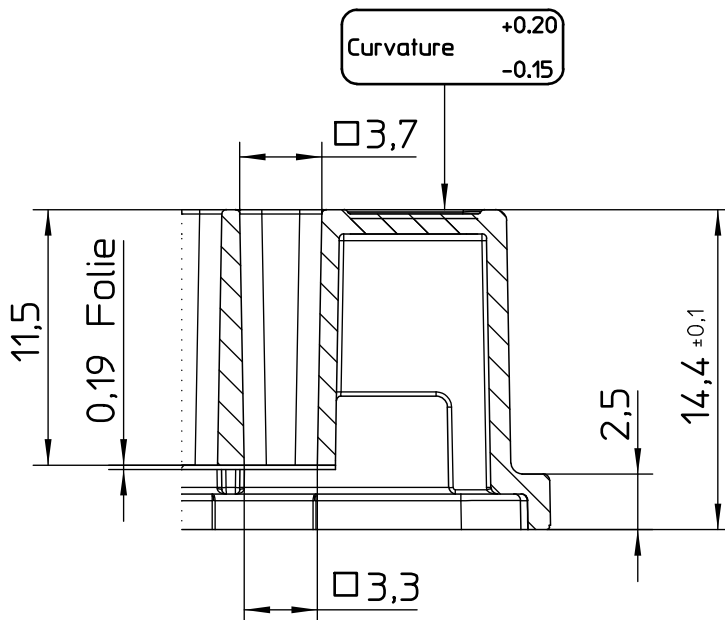
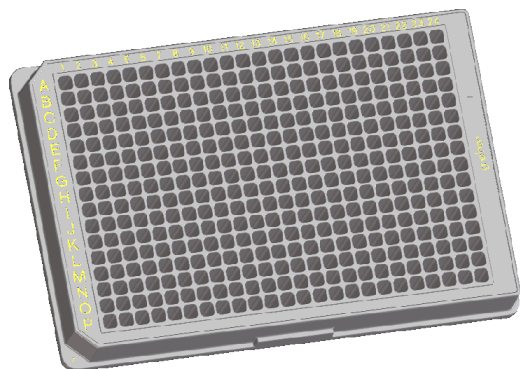


Valid for Item-No.: 781974, 781976, 781976-SIN



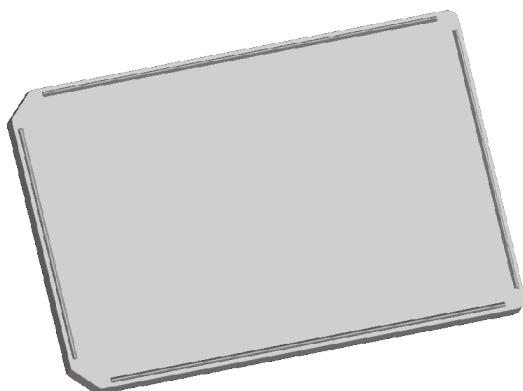
"All dimensions in mm"

Customer drawing subject to change without notice!

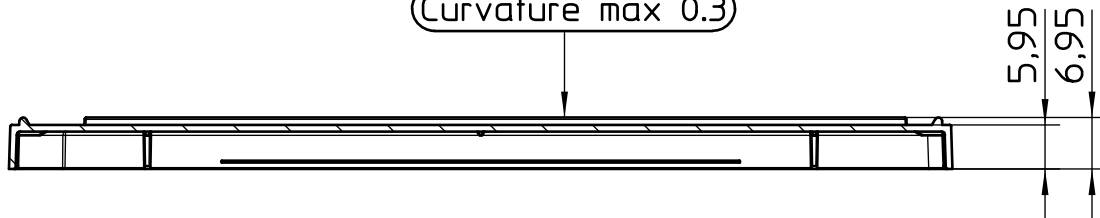
Uncontrolled Copy

Prior Issue	Drawn	Approved	Released	CONFIDENTIAL: Information contained in this document or drawing is confidential and proprietary to Greiner Bio-One GmbH. This document may not be reproduced for any reason without written permission from Greiner Bio-One GmbH. All rights of design, invention, and copyright are reserved.
Revision 5	Date 2015/07/06	Date 2021/09/29	Date 2021/09/29	
Date 2021/06/07	Name forb	Name schwarzj	Name forb	

Valid for Item-No.: 781974, 781976, 781976-SIN

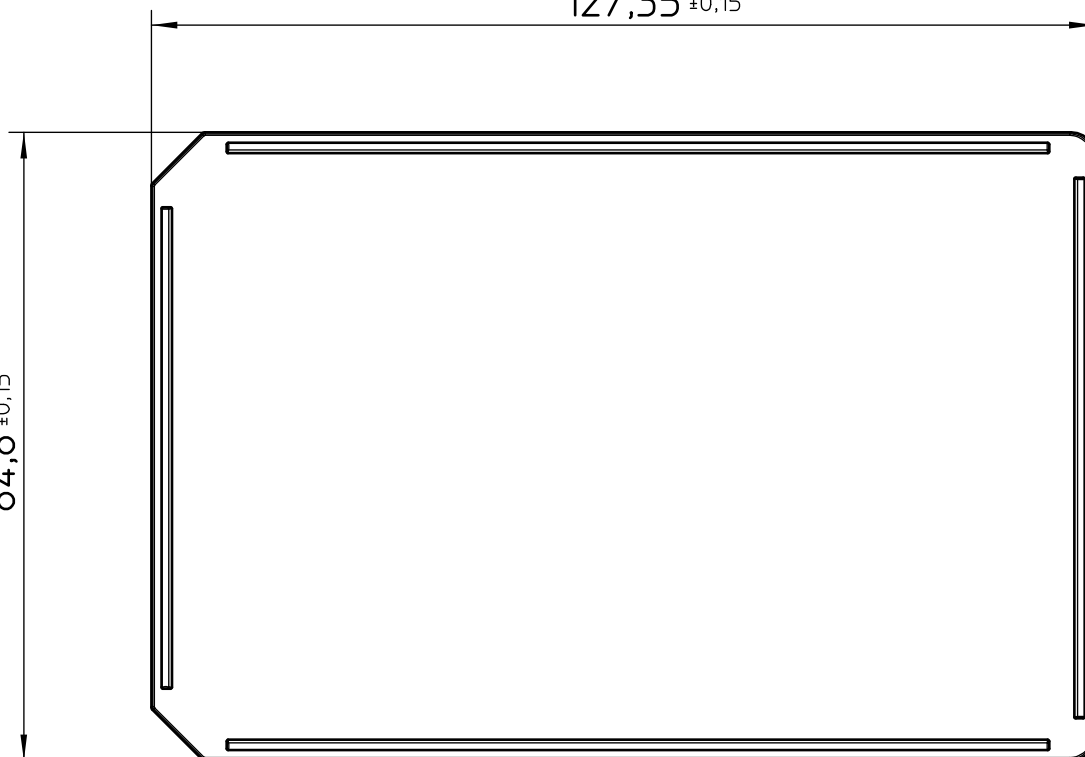


Curvature max 0.3



127,35 ±0,15

84,8 ±0,15



"All dimensions in mm"

Customer drawing subject to change without notice!

Uncontrolled Copy

Prior Issue	Drawn	Approved	Released	CONFIDENTIAL: Information contained in this document or drawing is confidential and proprietary to Greiner Bio-One GmbH. This document may not be reproduced for any reason without written permission from Greiner Bio-One GmbH. All rights of design, invention, and copyright are reserved.
Revision	Date	Date	Date	
5	2015/07/06	2021/09/29	2021/09/29	
Date	Name	Name	Name	
2021/06/07	forb	schwarzj	forb	