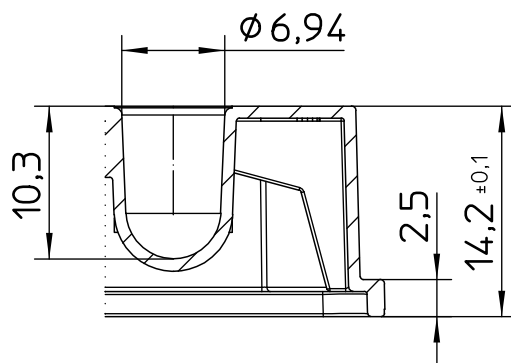
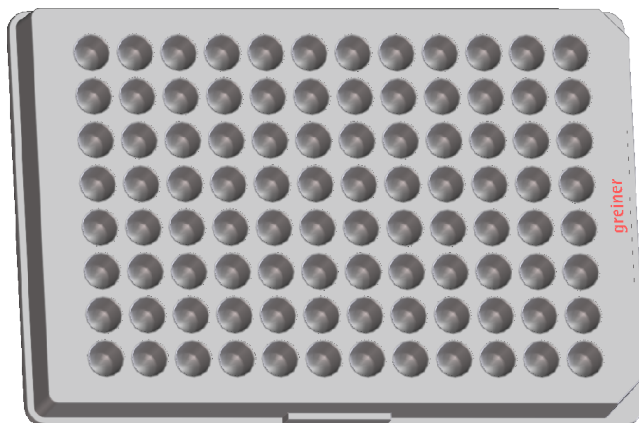
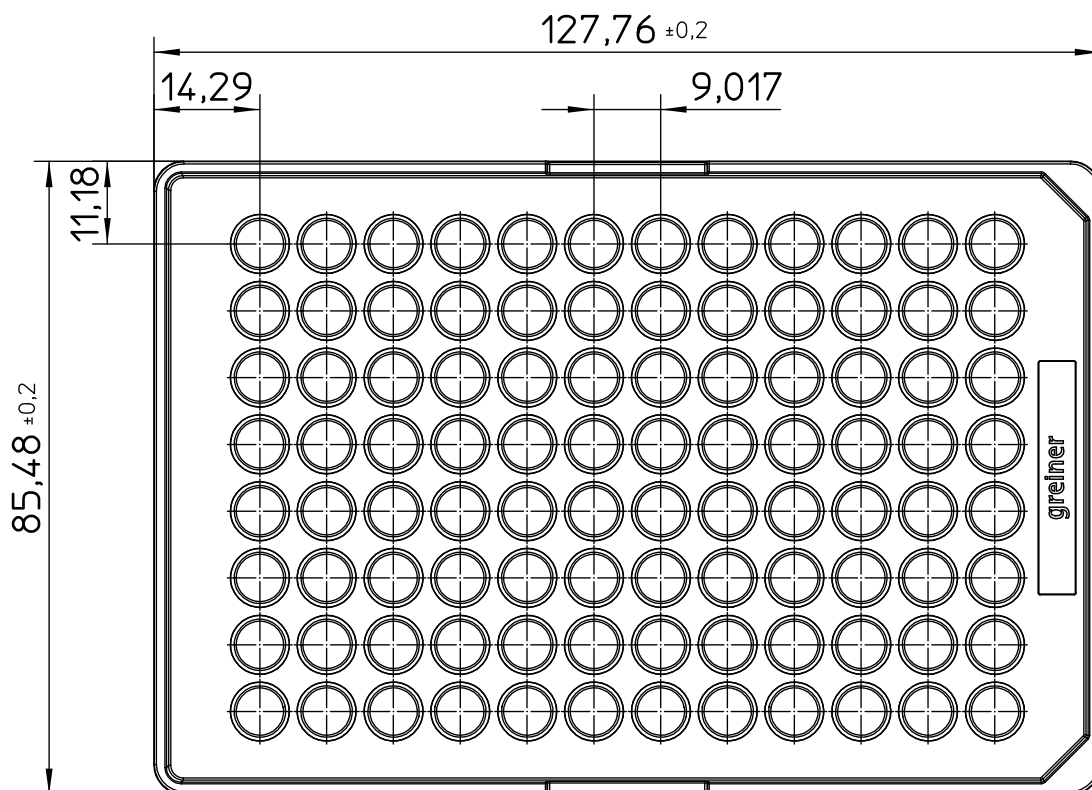
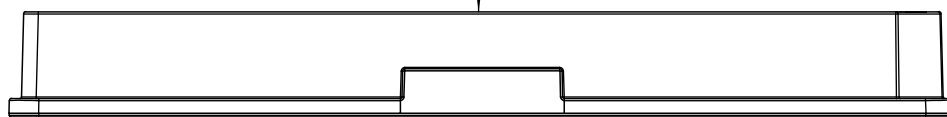


Valid for Item-No.: 650970, 650979



Curvature max.0,2



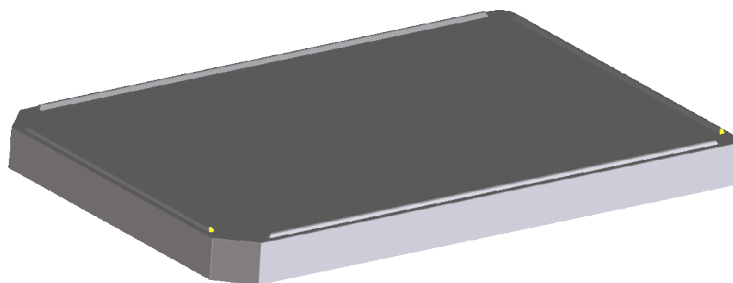
"All dimensions in mm"

Customer drawing subject to change without notice!

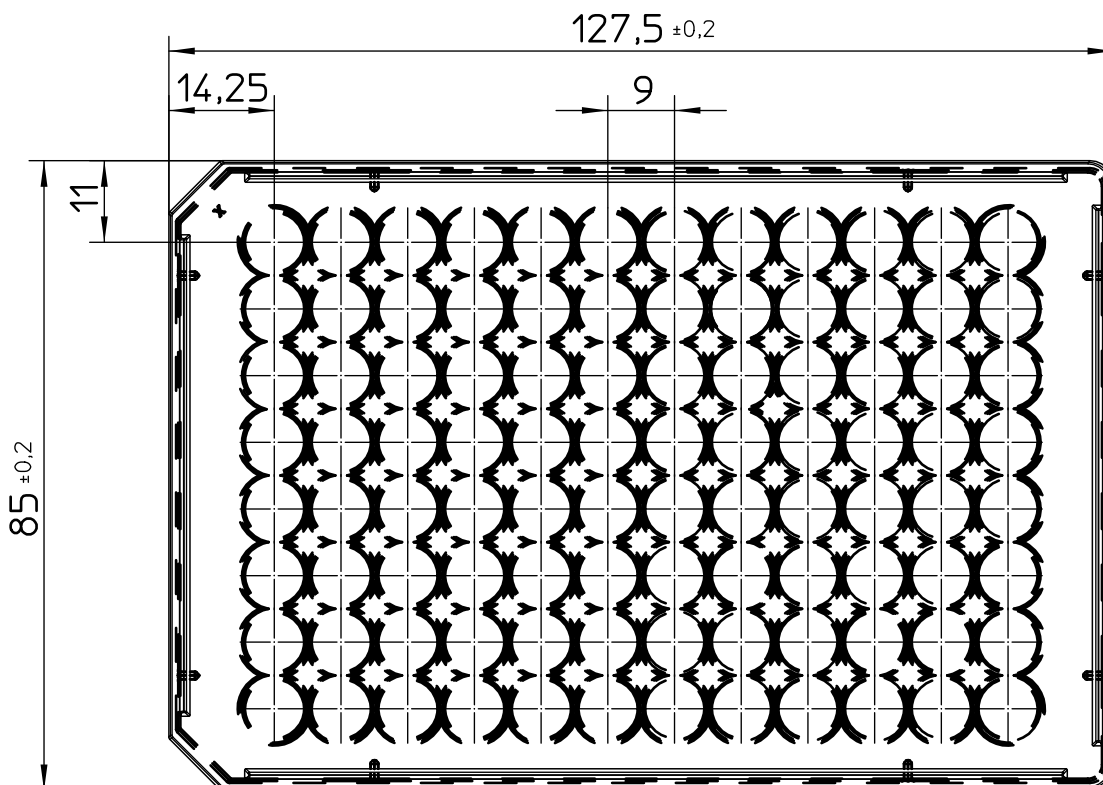
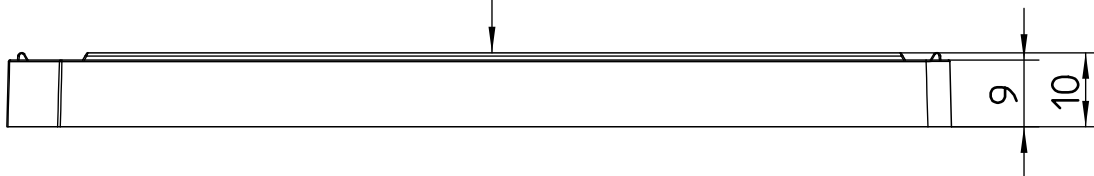
Uncontrolled Copy

Prior Issue	Drawn	Approved	Released	CONFIDENTIAL: Information contained in this document or drawing is confidential and proprietary to Greiner Bio-One GmbH. This document may not be reproduced for any reason without written permission from Greiner Bio-One GmbH. All rights of design, invention, and copyright are reserved.
Revision 3	Date 2015/03/16	Date 2021/06/15	Date 2021/09/10	
Date 2018/03/19	Name schwarzj	Name forb	Name schwarzj	

Valid for Item-No.: 650970, 650979



Curvature +0,3
-0,3



"All dimensions in mm"

Customer drawing subject to change without notice!

Uncontrolled Copy

Prior Issue	Drawn	Approved	Released	CONFIDENTIAL: Information contained in this document or drawing is confidential and proprietary to Greiner Bio-One GmbH. This document may not be reproduced for any reason without written permission from Greiner Bio-One GmbH. All rights of design, invention, and copyright are reserved.
Revision 3	Date 2015/03/16	Date 2021/06/15	Date 2021/09/10	
Date 2018/03/19	Name schwarzj	Name forb	Name schwarzj	