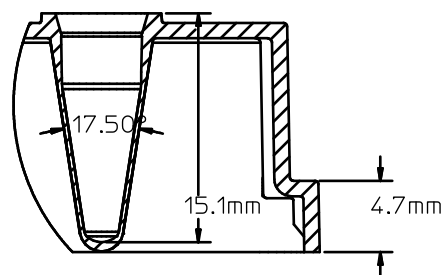
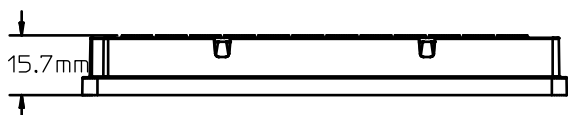
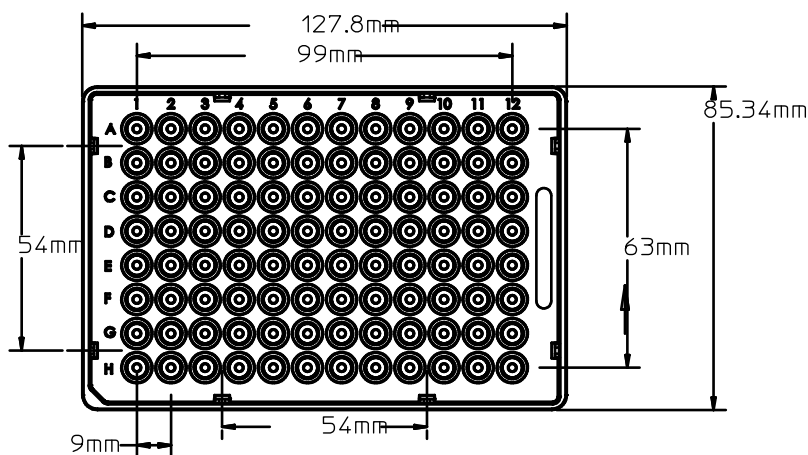
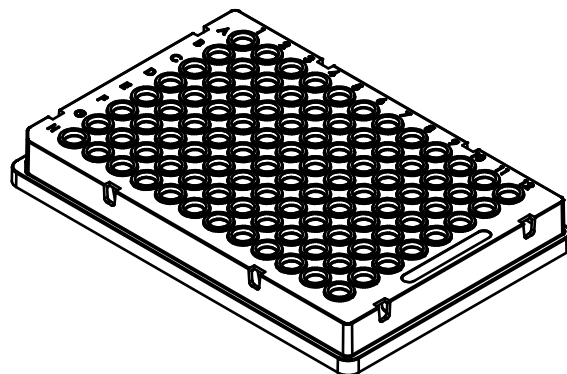


Valid for Item-No.: 652230, 652230P



"All dimensions in mm"

Customer drawing subject to change without notice!

Uncontrolled Copy

| Prior Issue | Drawn | Approved | Released | CONFIDENTIAL: Information contained in this document or drawing is confidential and proprietary to Greiner Bio-One GmbH. This document may not be reproduced for any reason without written permission from Greiner Bio-One GmbH. All rights of design, invention, and copyright are reserved. |
|-------------|------------|------------|------------|--|
| Revision | Date | Date | Date | |
| 2 | 2017/01/30 | 2021/09/30 | 2021/09/30 | |
| Date | Name | Name | Name | |
| 2021/06/08 | forb | forb | schwarzj | |