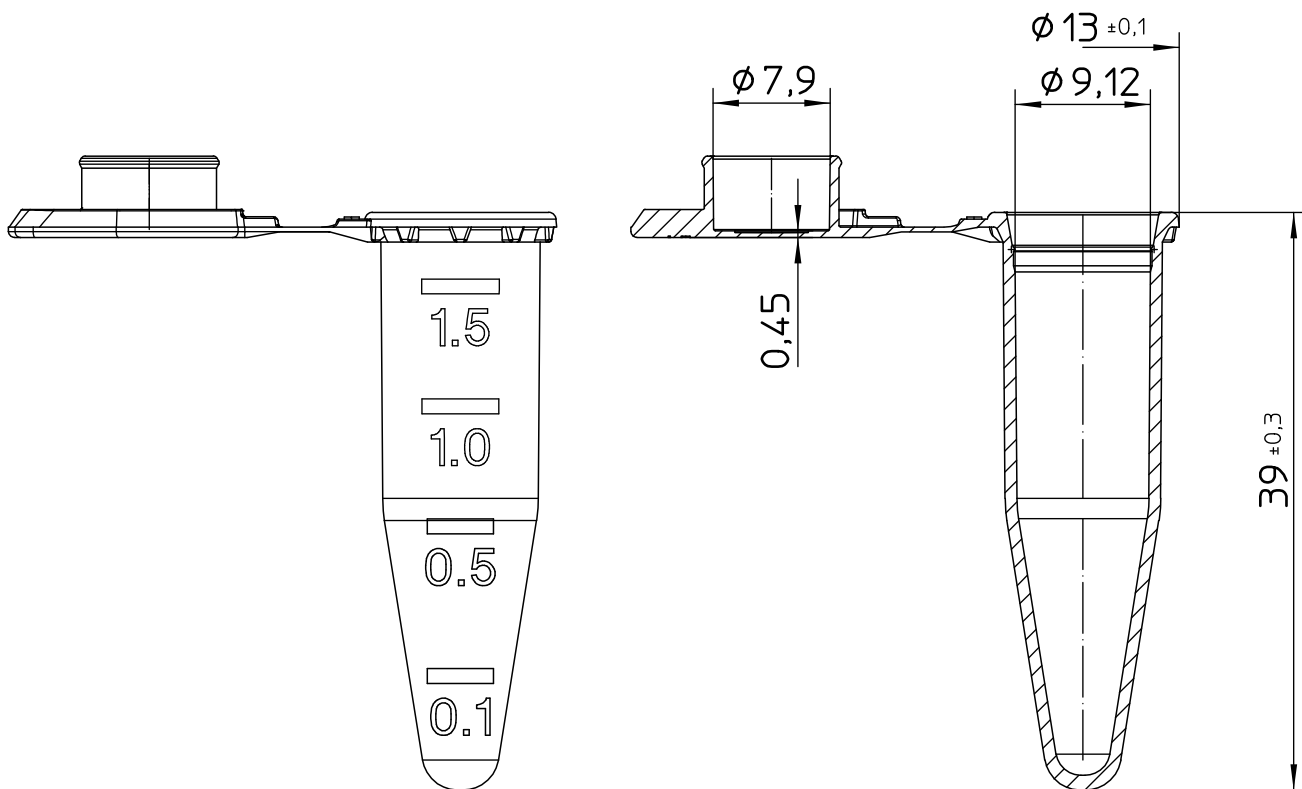


Valid for Item-No.: 616201, 616261, 616283



"All dimensions in mm"

Customer drawing subject to change without notice!

Uncontrolled Copy

Prior Issue	Drawn	Approved	Released	CONFIDENTIAL: Information contained in this document or drawing is confidential and proprietary to Greiner Bio-One GmbH. This document may not be reproduced for any reason without written permission from Greiner Bio-One GmbH. All rights of design, invention, and copyright are reserved.
Revision 3	Date 2011/05/16	Date 2023/12/08	Date 2023/12/08	
Date 2022/11/16	Name forb	Name kleber	Name sigel	