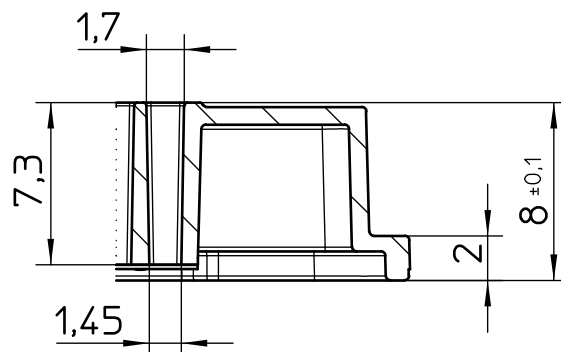
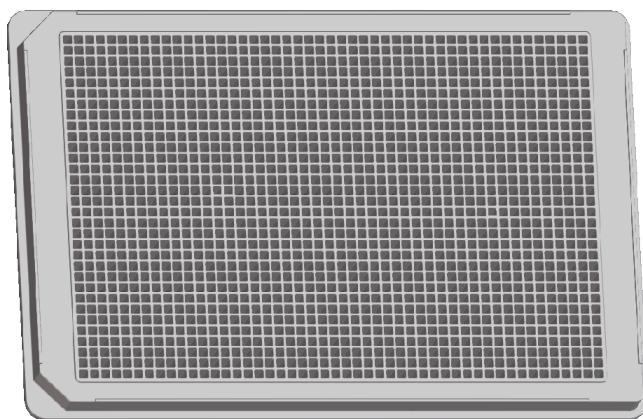
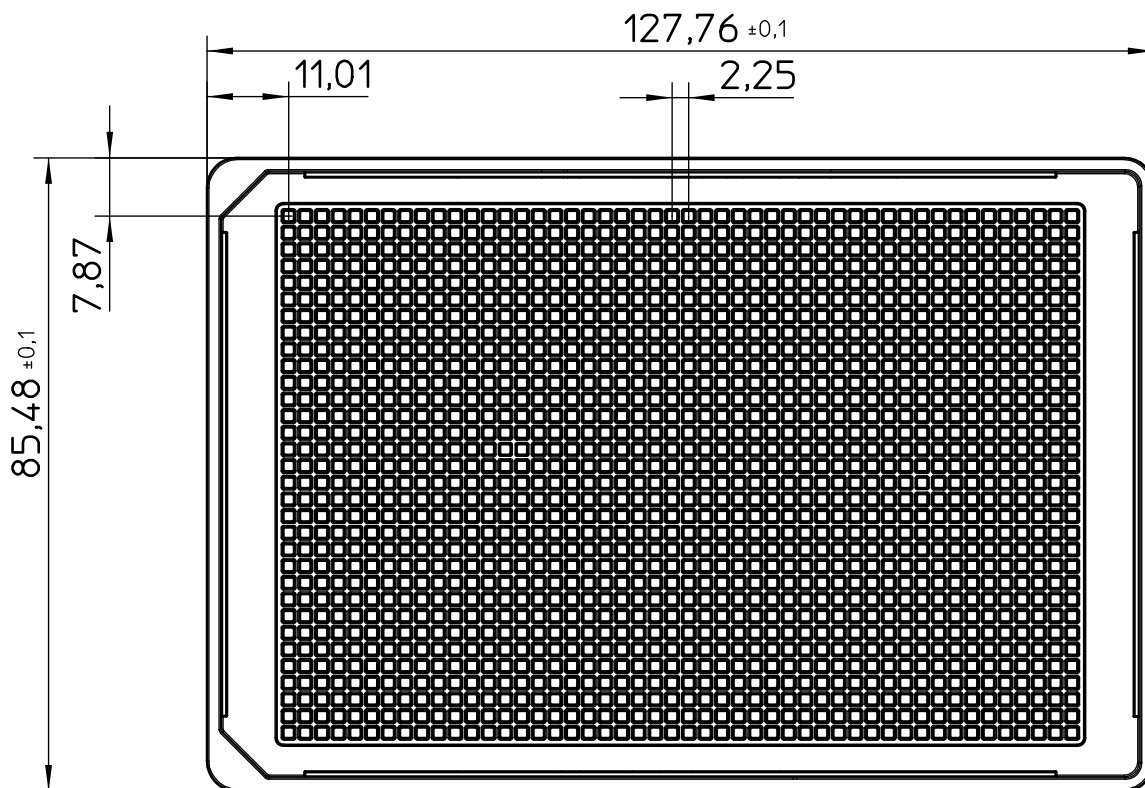
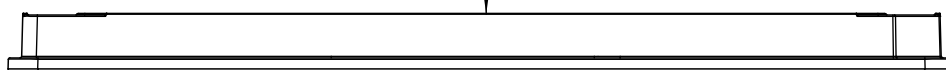


Valid for Item-No.: 789866, 789899, 789716, 789726, 789736, 789741, 789743, 789745, 789746, 789752, 789756, 789757, 789766



Curvature max.0,15



"All dimensions in mm"

Customer drawing subject to change without notice!

Uncontrolled Copy

| Prior Issue        | Drawn              | Approved           | Released           | CONFIDENTIAL: Information contained in this document or drawing is confidential and proprietary to Greiner Bio-One GmbH. This document may not be reproduced for any reason without written permission from Greiner Bio-One GmbH. All rights of design, invention, and copyright are reserved. |
|--------------------|--------------------|--------------------|--------------------|--|
| Revision<br>5      | Date<br>2011/04/15 | Date<br>2024/03/15 | Date<br>2024/03/15 |  |
| Date<br>2021/10/13 | Name<br>forb       | Name<br>ziegler    | Name<br>kleber     |  |