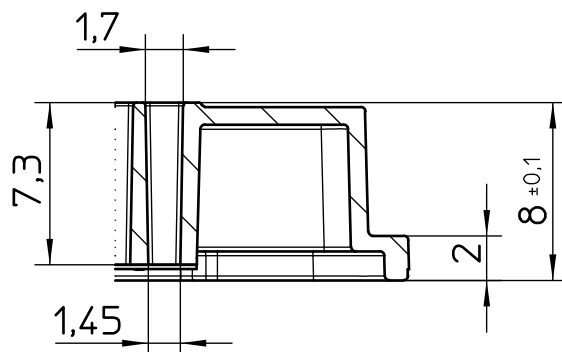
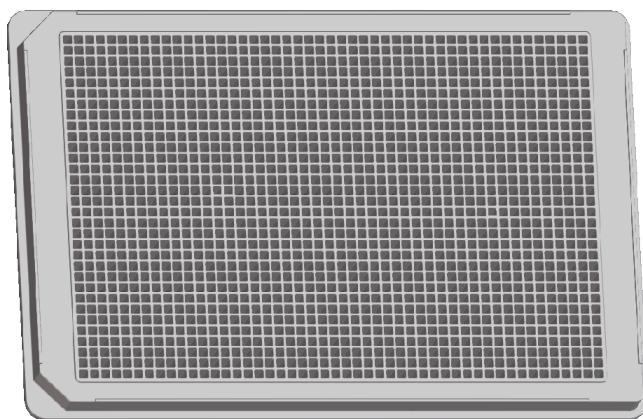
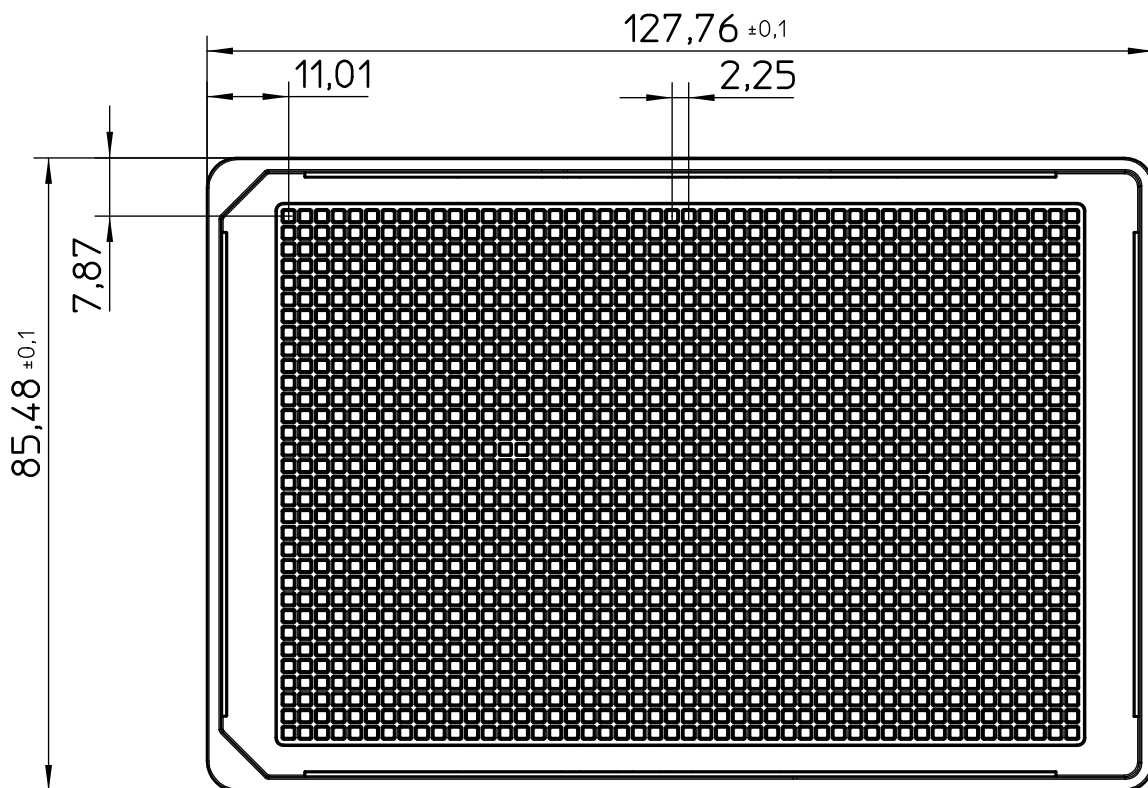
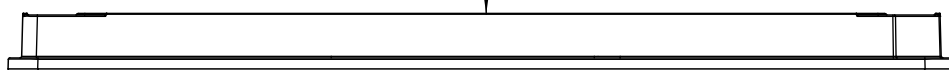


Valid for Item-No.: 789866, 789899, 789716, 789726, 789736, 789741, 789743, 789745, 789746, 789752, 789756, 789757, 789766



Curvature max.0,15



"All dimensions in mm"

Customer drawing subject to change without notice!

Uncontrolled Copy

Prior Issue	Drawn	Approved	Released	CONFIDENTIAL: Information contained in this document or drawing is confidential and proprietary to Greiner Bio-One GmbH. This document may not be reproduced for any reason without written permission from Greiner Bio-One GmbH. All rights of design, invention, and copyright are reserved.
Revision 5	Date 2011/04/15	Date 2024/03/15	Date 2024/03/15	
Date 2021/10/13	Name forb	Name ziegler	Name kleber	