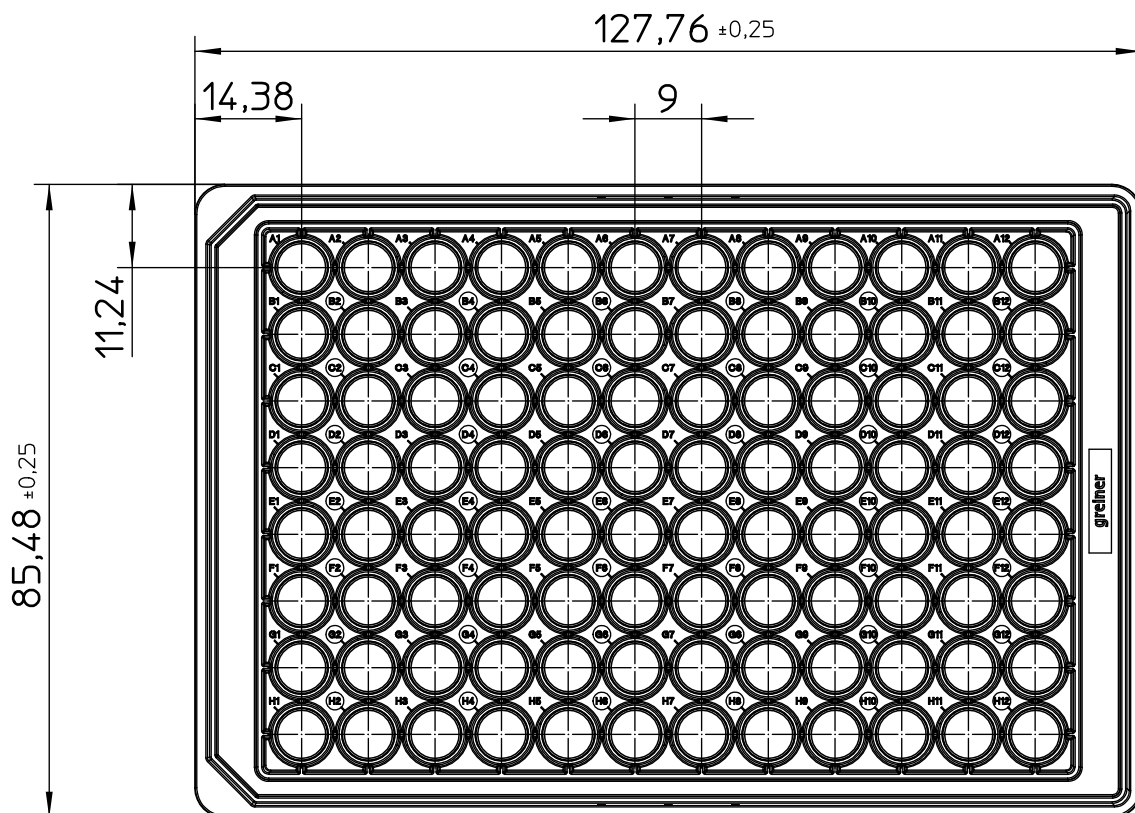
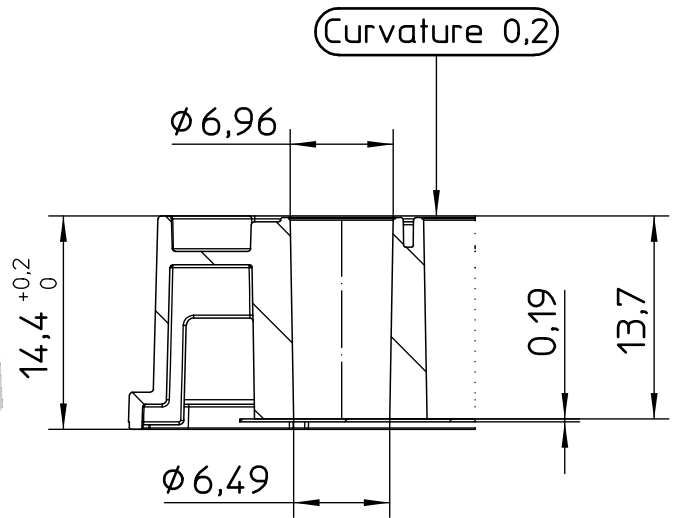
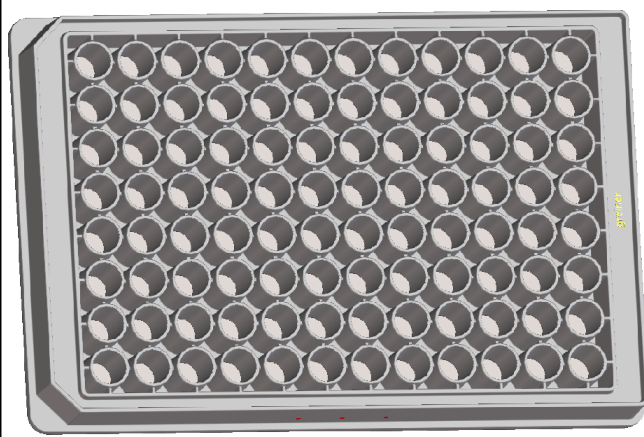


Valid for Item-No.: 655866, 655716, 655726, 655736, 655741, 655743, 655745, 655746, 655752, 655756, 655757, 655766, 655866-128



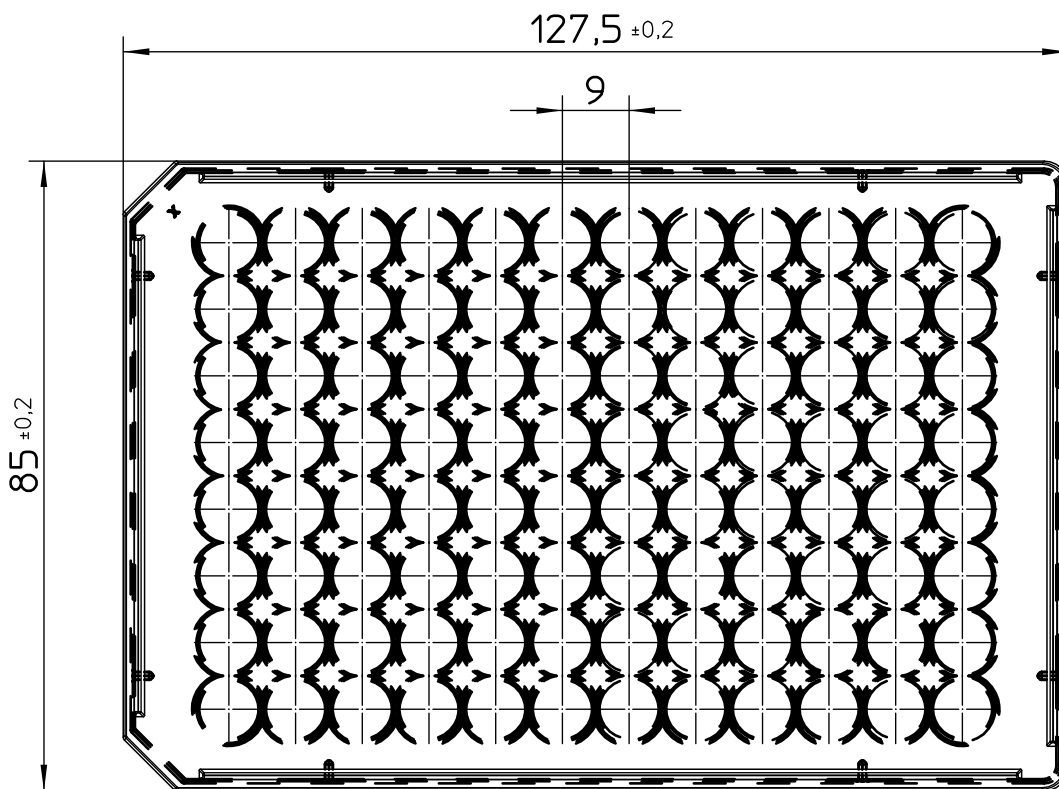
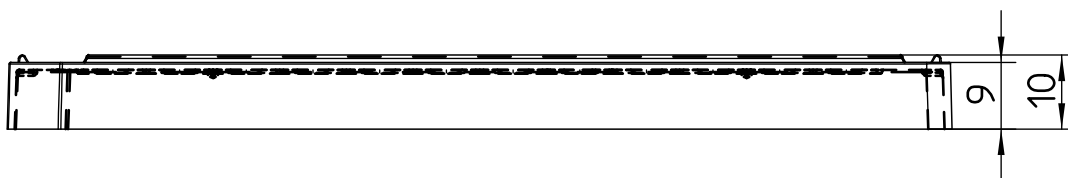
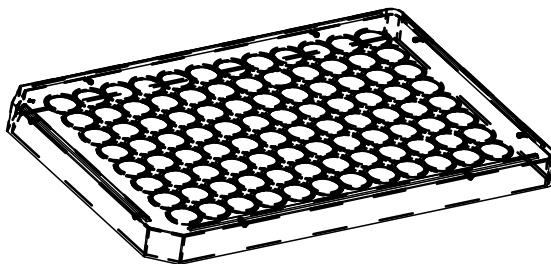
"All dimensions in mm"

Customer drawing subject to change without notice!

Uncontrolled Copy

Prior Issue	Drawn	Approved	Released	CONFIDENTIAL: Information contained in this document or drawing is confidential and proprietary to Greiner Bio-One GmbH. This document may not be reproduced for any reason without written permission from Greiner Bio-One GmbH. All rights of design, invention, and copyright are reserved.
Revision 10	Date 2012/08/22	Date 2024/04/10	Date 2024/04/10	
Date 2024/02/14	Name forb	Name ziegler	Name kleber	

Valid for Item-No.: 655866, 655716, 655726, 655736, 655741, 655743, 655745, 655746, 655752, 655756, 655757, 655766, 655866-128



"All dimensions in mm"

Customer drawing subject to change without notice!

Uncontrolled Copy

Prior Issue	Drawn	Approved	Released	CONFIDENTIAL: Information contained in this document or drawing is confidential and proprietary to Greiner Bio-One GmbH. This document may not be reproduced for any reason without written permission from Greiner Bio-One GmbH. All rights of design, invention, and copyright are reserved.
Revision 10	Date 2012/08/22	Date 2024/04/10	Date 2024/04/10	
Date 2024/02/14	Name forb	Name ziegler	Name kleber	