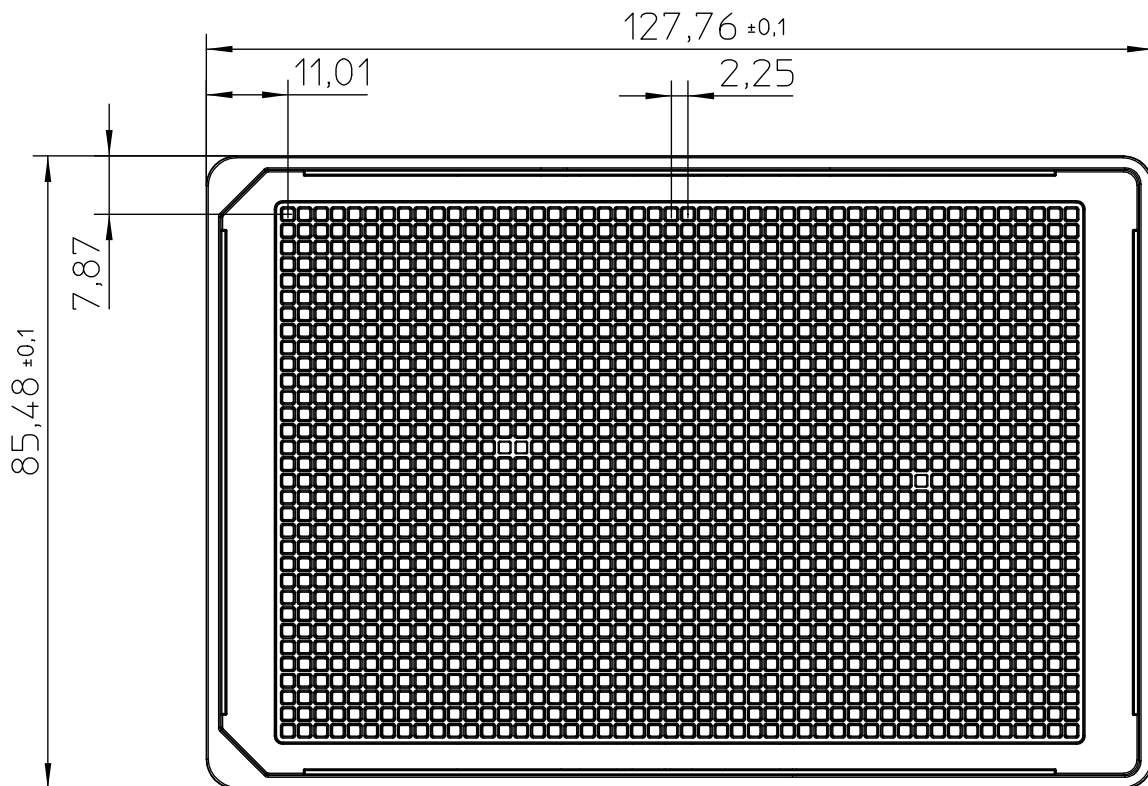
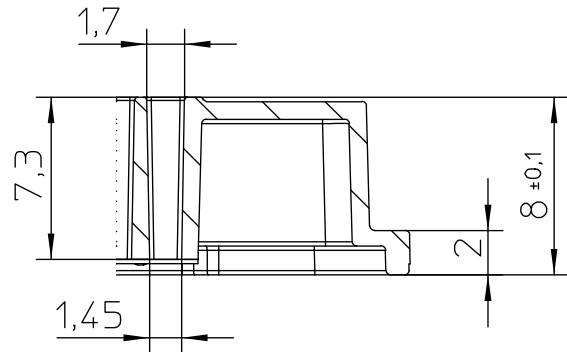
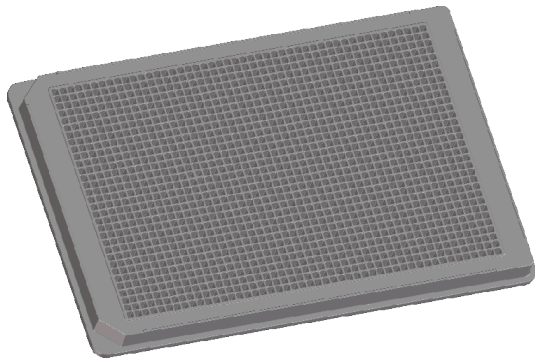


Valid for Item-No.: 789866, 789896, 789899



"All dimensions in mm"

Customer drawing subject to change without notice!

Uncontrolled Copy

Prior Issue	Drawn	Approved	Released	CONFIDENTIAL: Information contained in this document or drawing is confidential and proprietary to Greiner Bio-One GmbH. This document may not be reproduced for any reason without written permission from Greiner Bio-One GmbH. All rights of design, invention, and copyright are reserved.
Revision 1	Date 2011/04/15	Date 2011/12/09	Date 2011/12/09	
Date 2011/04/15	Name falter	Name falter	Name sonntag	