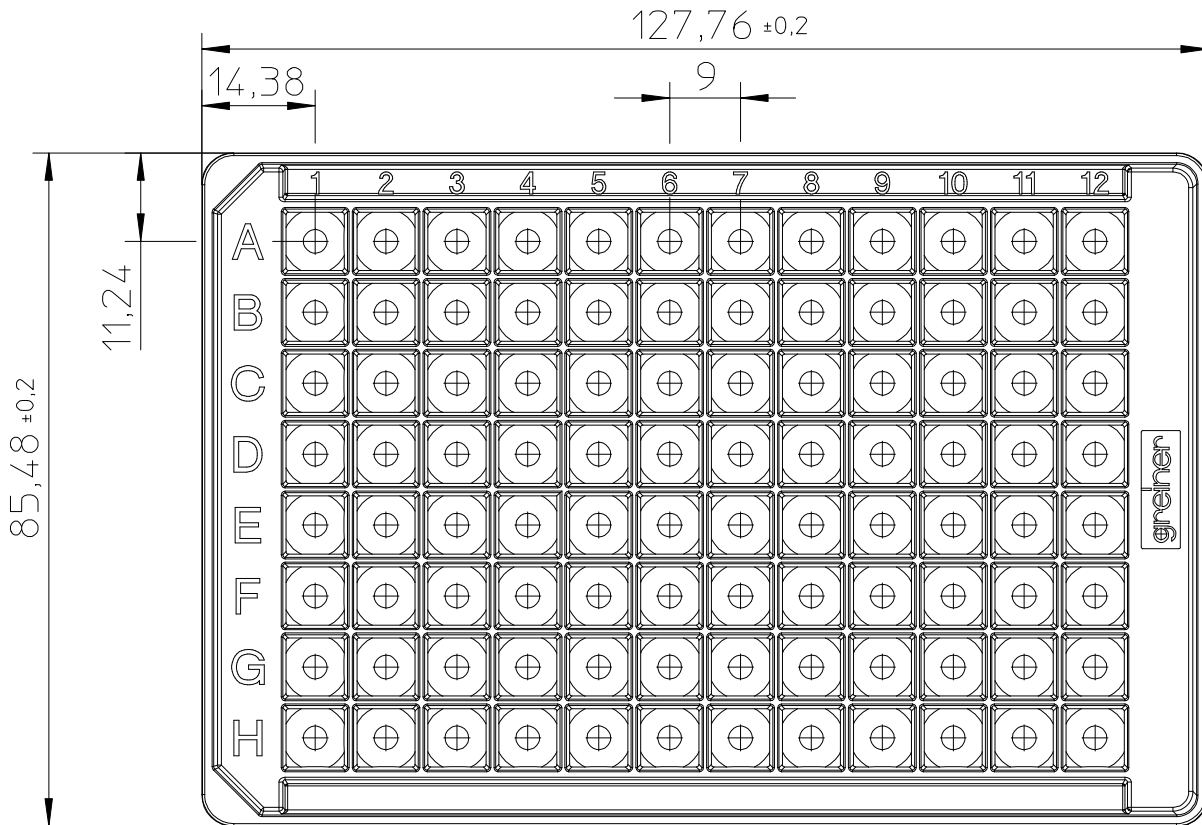
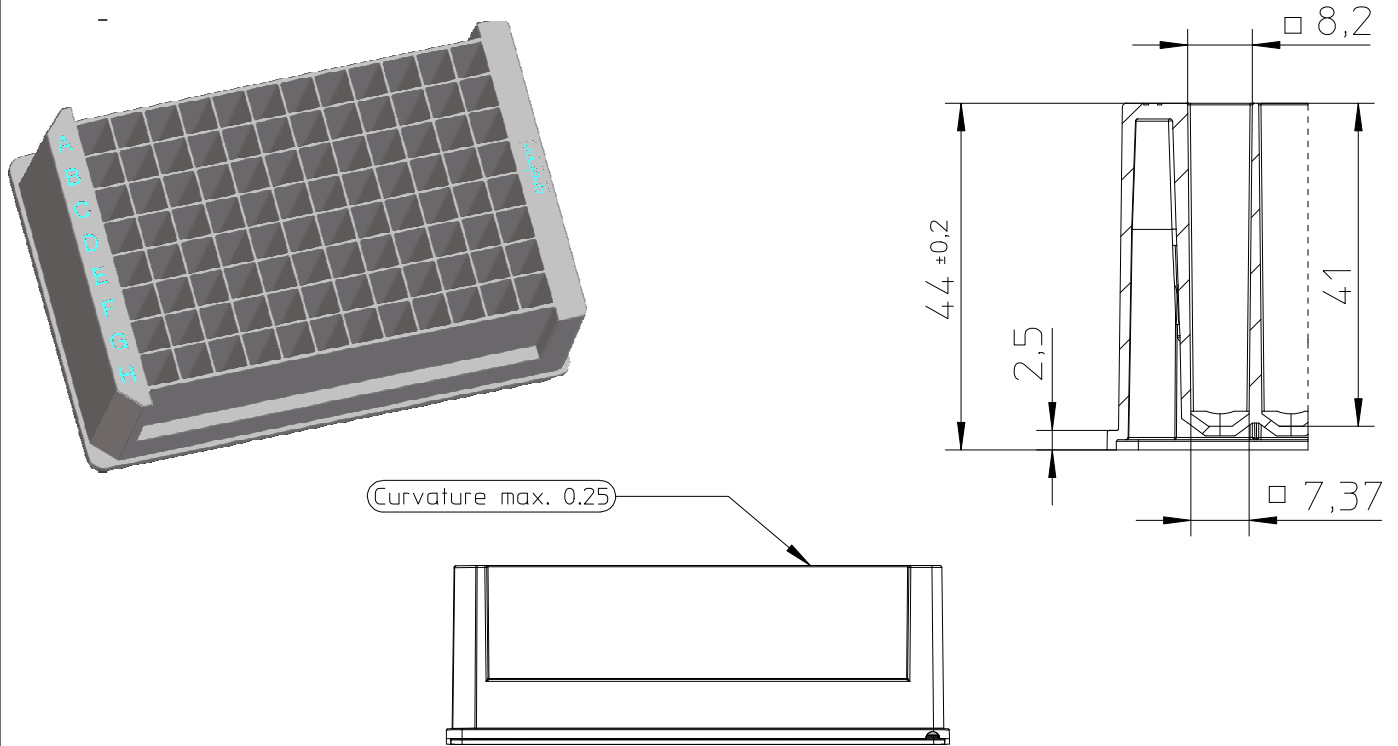


Valid for Item-No.: 780270-FD, 780271-FD, 780275-FD, 780276-FD, 780280-FD, 780285-FD, 780286-FD



"All dimensions in mm"

Customer drawing subject to change without notice!

Uncontrolled Copy

| | | | | |
|--------------------|--------------------|--------------------|--------------------|--|
| Prior Issue | Drawn | Approved | Released | CONFIDENTIAL: Information contained in this document or drawing is confidential and proprietary to Greiner Bio-One GmbH. This document may not be reproduced for any reason without written permission from Greiner Bio-One GmbH. All rights of design, invention, and copyright are reserved. |
| Revision | Date 2010/12/17 | Date 2020/05/20 | Date 2020/05/20 | |
| Date | Name forb | Name forb | Name sonntag | |