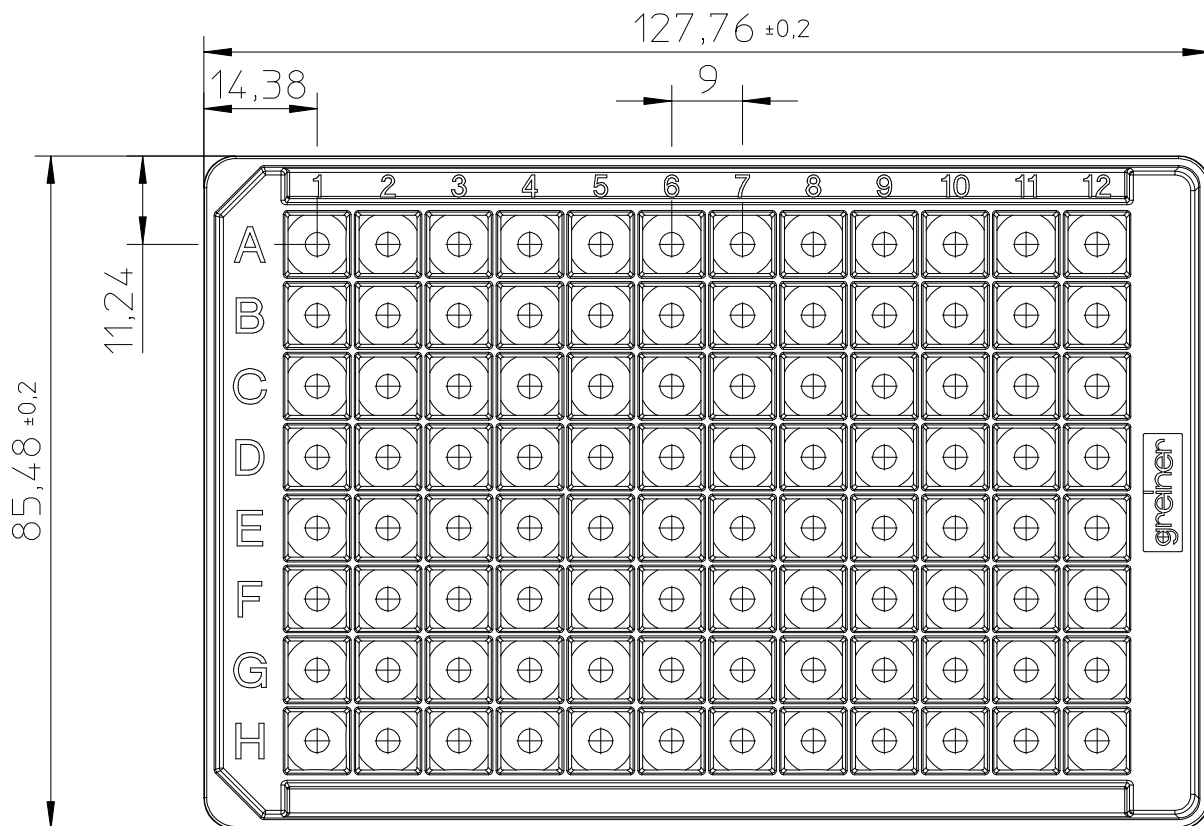
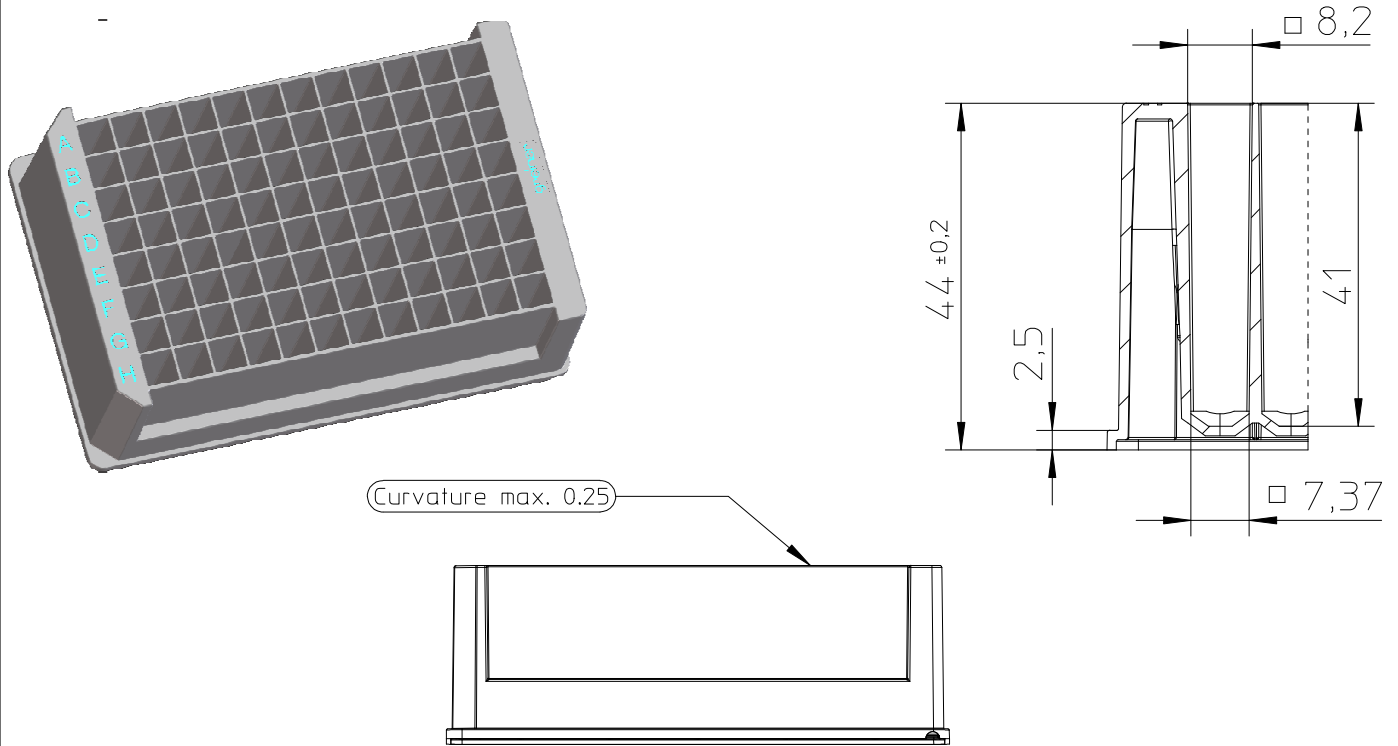


Valid for Item-No.: 780270-FD, 780271-FD, 780275-FD, 780276-FD, 780280-FD, 780285-FD, 780286-FD



"All dimensions in mm"

Customer drawing subject to change without notice!

Uncontrolled Copy

Prior Issue	Drawn	Approved	Released	CONFIDENTIAL: Information contained in this document or drawing is confidential and proprietary to Greiner Bio-One GmbH. This document may not be reproduced for any reason without written permission from Greiner Bio-One GmbH. All rights of design, invention, and copyright are reserved.
Revision	Date 2010/12/17	Date 2020/05/20	Date 2020/05/20	
Date	Name forb	Name forb	Name sonntag	