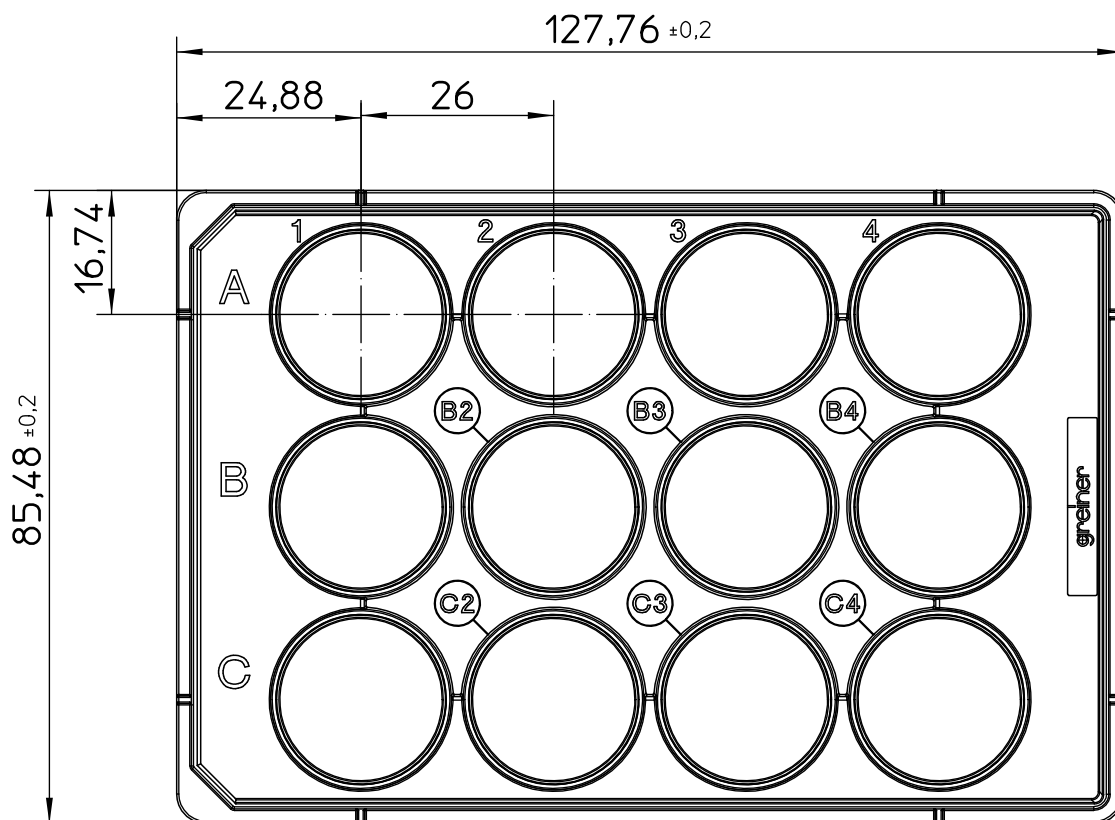
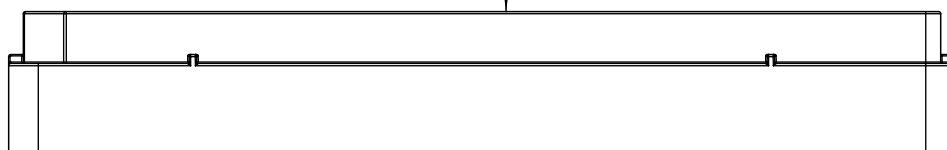


Curvature +0,2  
-0,1



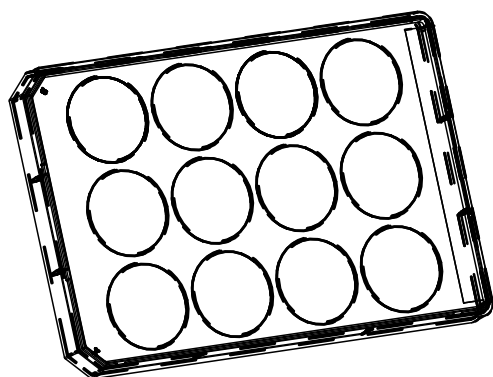
"All dimensions in mm"

Customer drawing subject to change without notice!

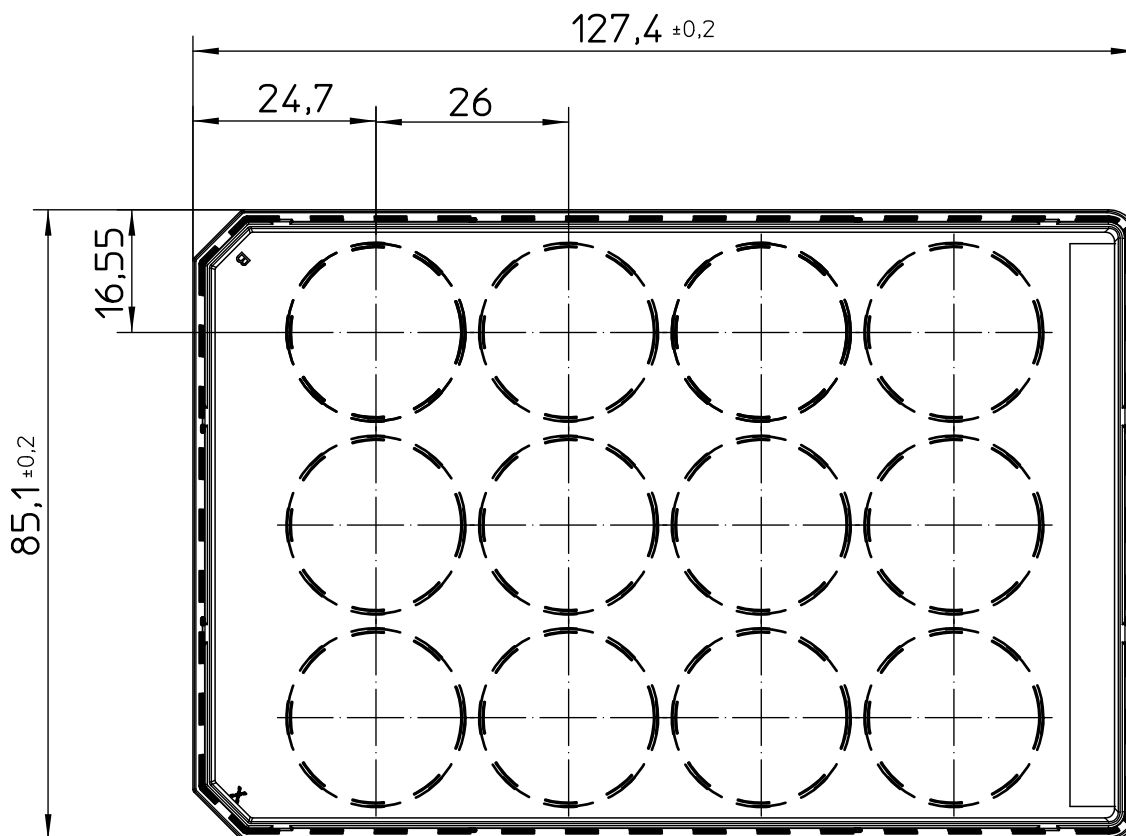
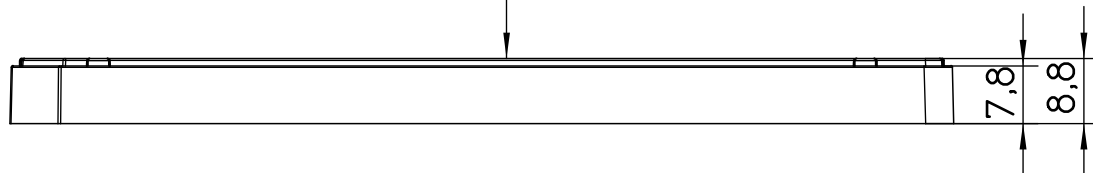
Uncontrolled Copy

Prior Issue	Drawn	Approved	Released	CONFIDENTIAL: Information contained in this document or drawing is confidential and proprietary to Greiner Bio-One GmbH. This document may not be reproduced for any reason without written permission from Greiner Bio-One GmbH. All rights of design, invention, and copyright are reserved.
Revision	Date 2023/11/14	Date 2023/11/14	Date 2023/11/14	
Date	Name forb	Name forb	Name kleber	

Valid for Item-No.: 665940-005, 665950-005



Curvature +0,3  
-0,1



"All dimensions in mm"

Customer drawing subject to change without notice!

Uncontrolled Copy

Prior Issue	Drawn	Approved	Released	CONFIDENTIAL: Information contained in this document or drawing is confidential and proprietary to Greiner Bio-One GmbH. This document may not be reproduced for any reason without written permission from Greiner Bio-One GmbH. All rights of design, invention, and copyright are reserved.
Revision	Date 2023/11/14	Date 2023/11/14	Date 2023/11/14	
Date	Name forb	Name forb	Name kleber	