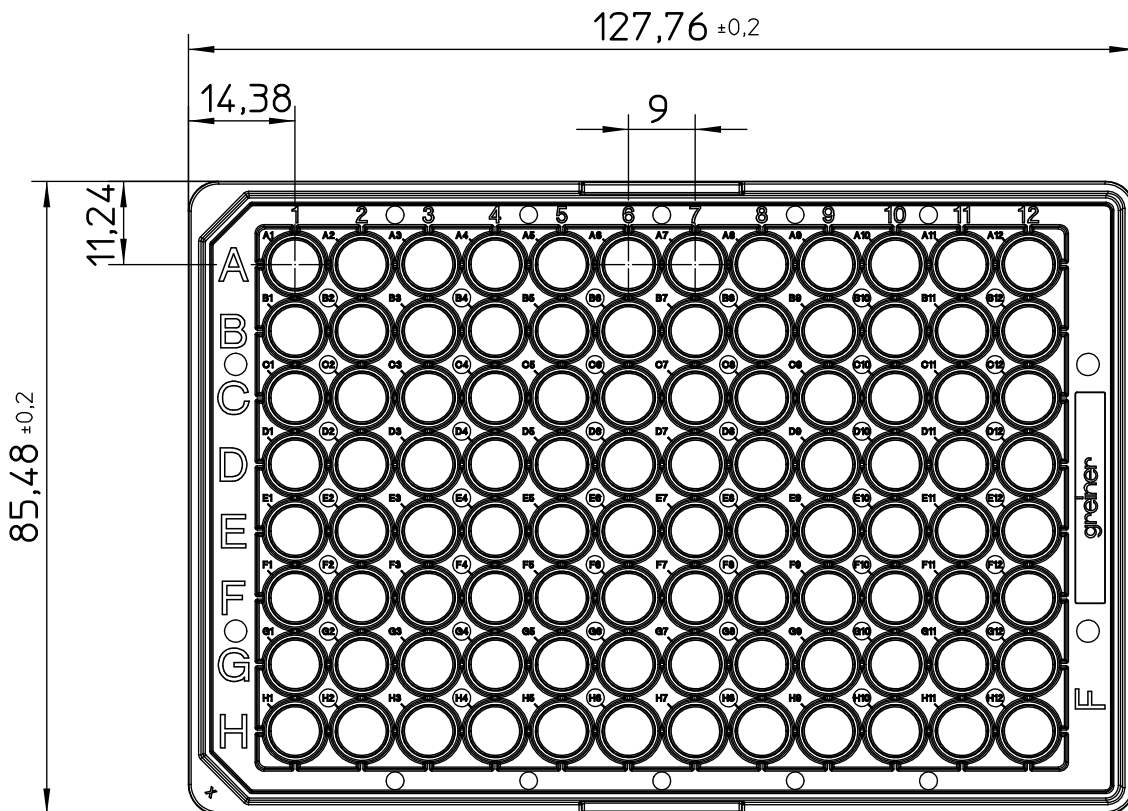
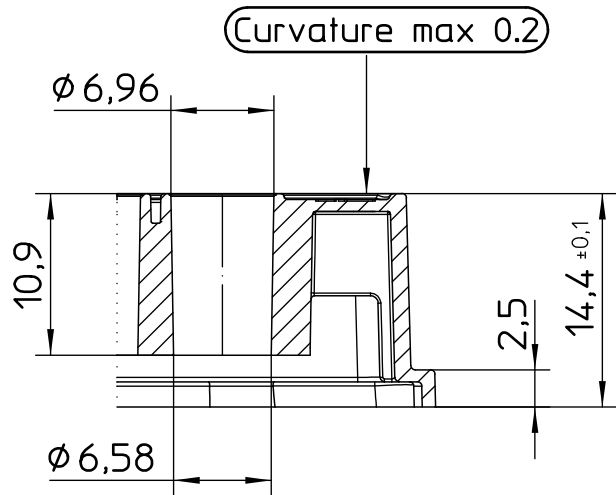
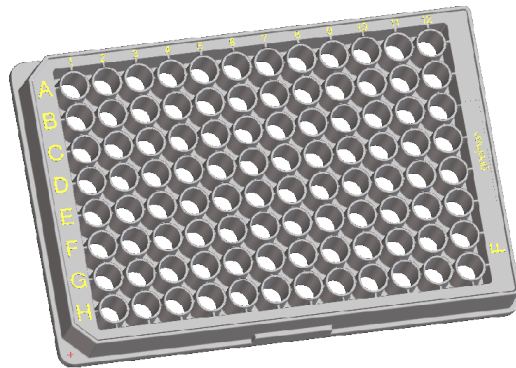


Valid for Item-No.: 655976, 655976-SIN



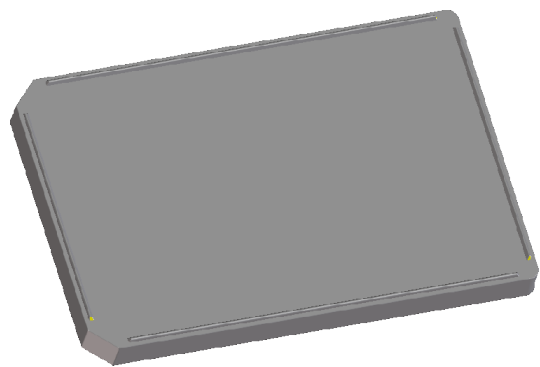
"All dimensions in mm"

Customer drawing subject to change without notice!

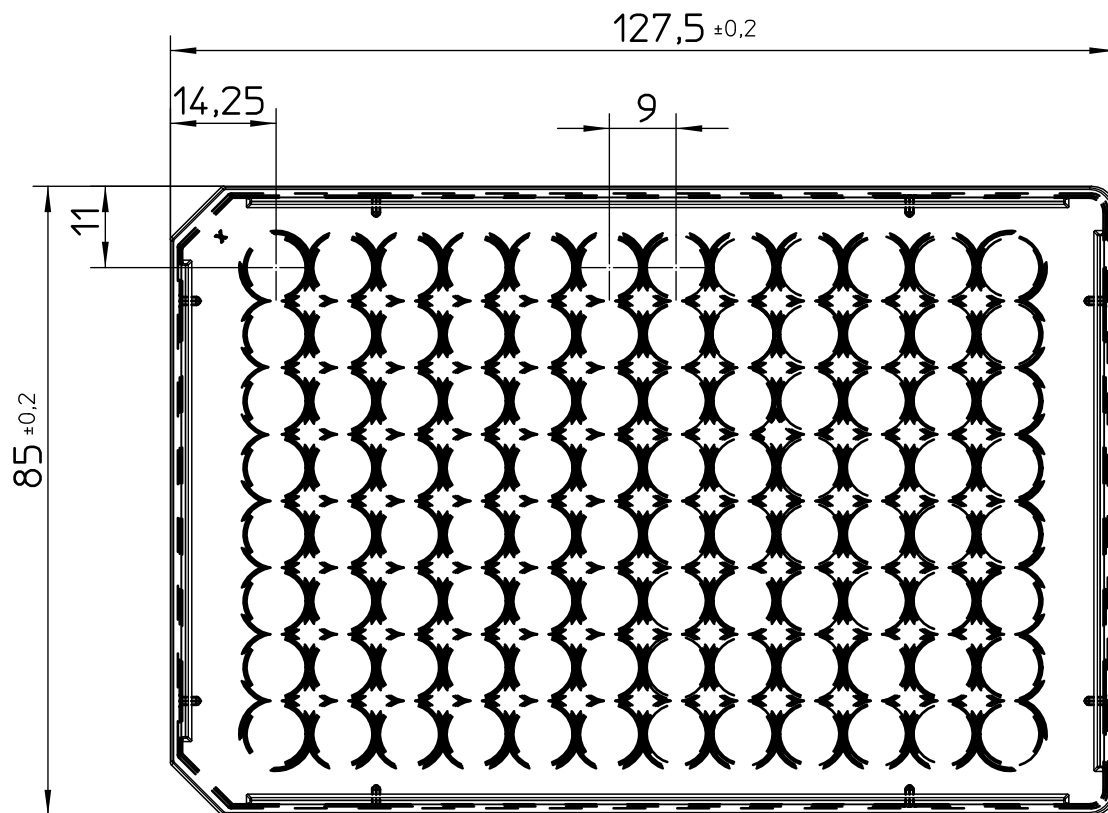
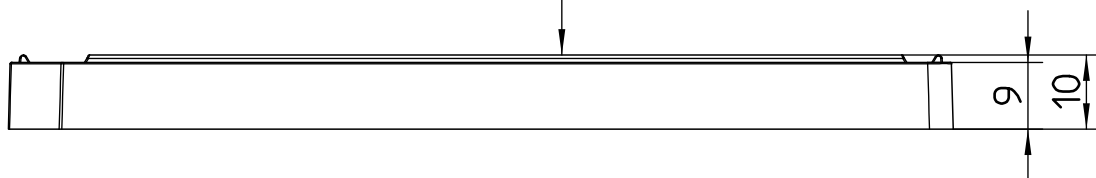
Uncontrolled Copy

Prior Issue	Drawn	Approved	Released	CONFIDENTIAL: Information contained in this document or drawing is confidential and proprietary to Greiner Bio-One GmbH. This document may not be reproduced for any reason without written permission from Greiner Bio-One GmbH. All rights of design, invention, and copyright are reserved.
Revision 3	Date 2015/07/23	Date 2021/09/27	Date 2021/09/27	
Date 2017/05/11	Name forb	Name forb	Name schwarzj	

Valid for Item-No.: 655976, 655976-SIN



Curvature +0.30
-0.30



"All dimensions in mm"

Customer drawing subject to change without notice!

Uncontrolled Copy

Prior Issue	Drawn	Approved	Released	CONFIDENTIAL: Information contained in this document or drawing is confidential and proprietary to Greiner Bio-One GmbH. This document may not be reproduced for any reason without written permission from Greiner Bio-One GmbH. All rights of design, invention, and copyright are reserved.
Revision 3	Date 2015/07/23	Date 2021/09/27	Date 2021/09/27	
Date 2017/05/11	Name forb	Name forb	Name schwarzj	