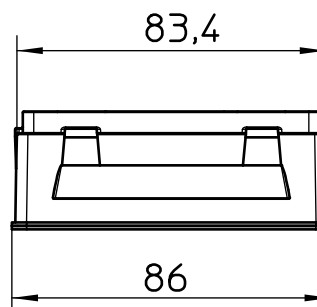
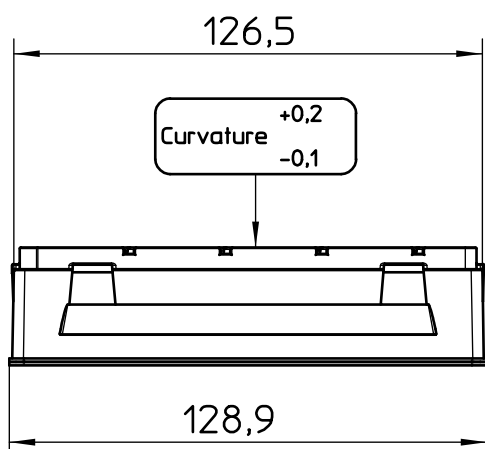
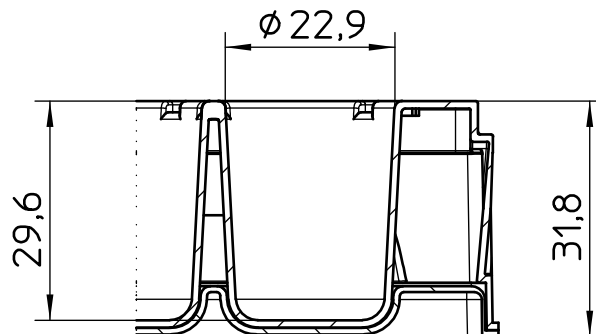
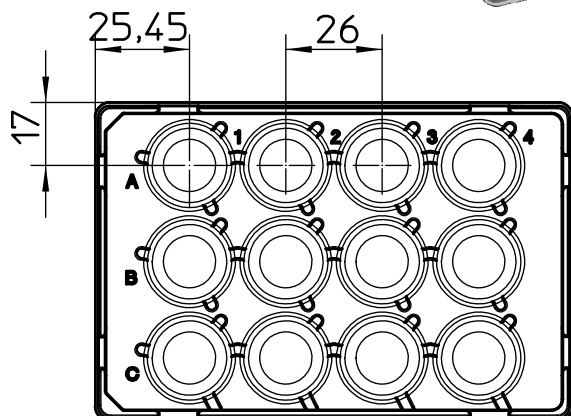
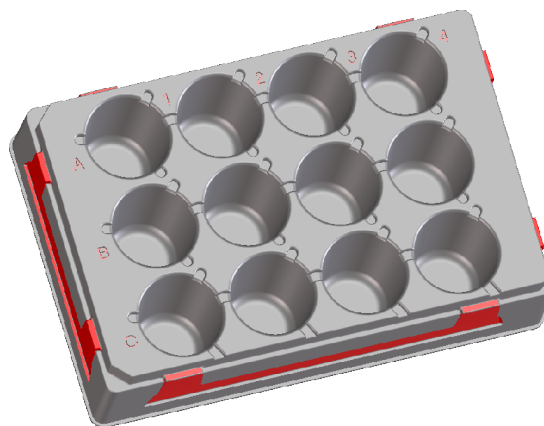


Valid for Item-No.: 665110



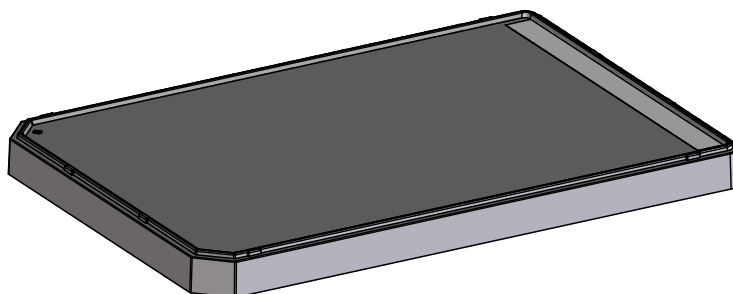
"All dimensions in mm"

Customer drawing subject to change without notice!

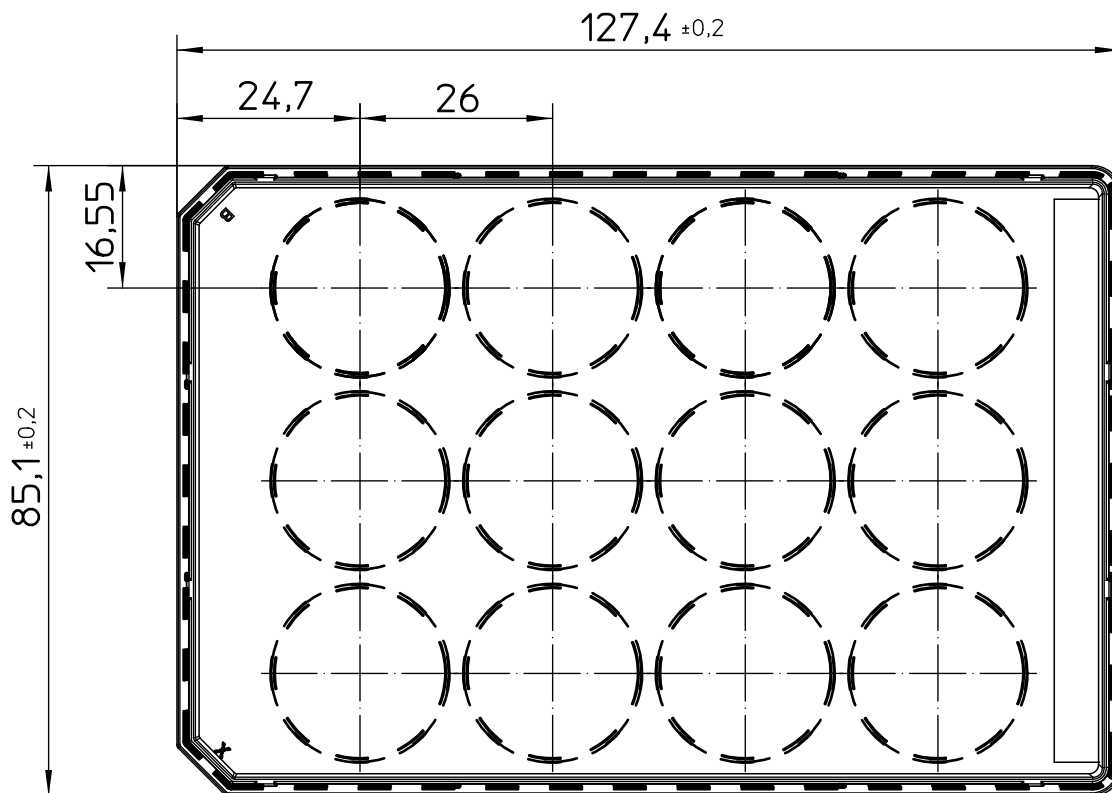
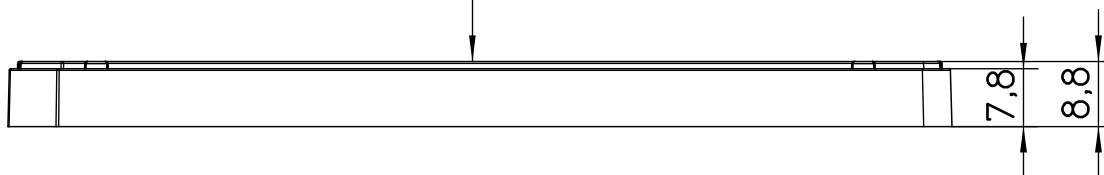
Uncontrolled Copy

Prior Issue	Drawn	Approved	Released	CONFIDENTIAL: Information contained in this document or drawing is confidential and proprietary to Greiner Bio-One GmbH. This document may not be reproduced for any reason without written permission from Greiner Bio-One GmbH. All rights of design, invention, and copyright are reserved.
Revision 4	Date 2011/04/28	Date 2022/11/11	Date 2022/11/14	
Date 2020/04/07	Name forb	Name forb	Name kleber	

Valid for Item-No.: 665110



Curvature $+0,2$
0



"All dimensions in mm"

Customer drawing subject to change without notice!

Uncontrolled Copy

Prior Issue	Drawn	Approved	Released	CONFIDENTIAL: Information contained in this document or drawing is confidential and proprietary to Greiner Bio-One GmbH. This document may not be reproduced for any reason without written permission from Greiner Bio-One GmbH. All rights of design, invention, and copyright are reserved.
Revision 4	Date 2011/04/28	Date 2022/11/11	Date 2022/11/14	
Date 2020/04/07	Name forb	Name forb	Name kleber	