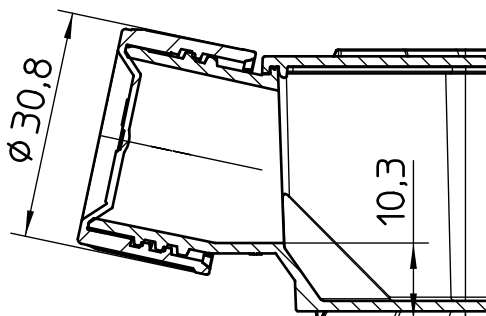
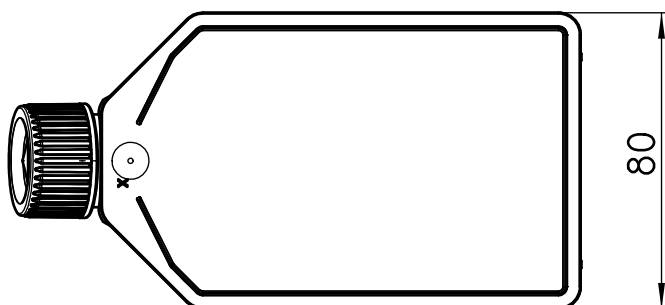
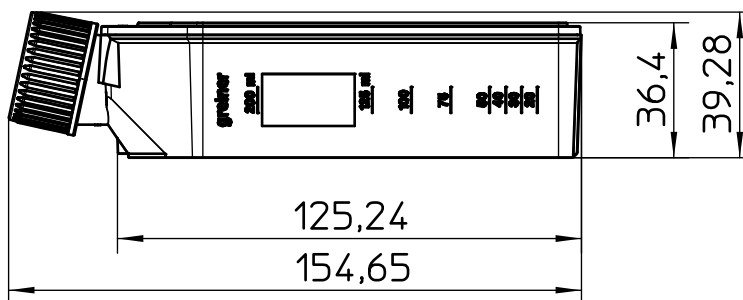


Valid for Item-No.: 658910, 658920, 658930, 658940, 658950



Curvature +0,6
-0,1



"All dimensions in mm"

Customer drawing subject to change without notice!

Uncontrolled Copy

Prior Issue	Drawn	Approved	Released	CONFIDENTIAL: Information contained in this document or drawing is confidential and proprietary to Greiner Bio-One GmbH. This document may not be reproduced for any reason without written permission from Greiner Bio-One GmbH. All rights of design, invention, and copyright are reserved.
Revision 7	Date 2011/03/04	Date 2023/09/27	Date 2023/09/27	
Date 2022/11/10	Name forb	Name forb	Name kessler	