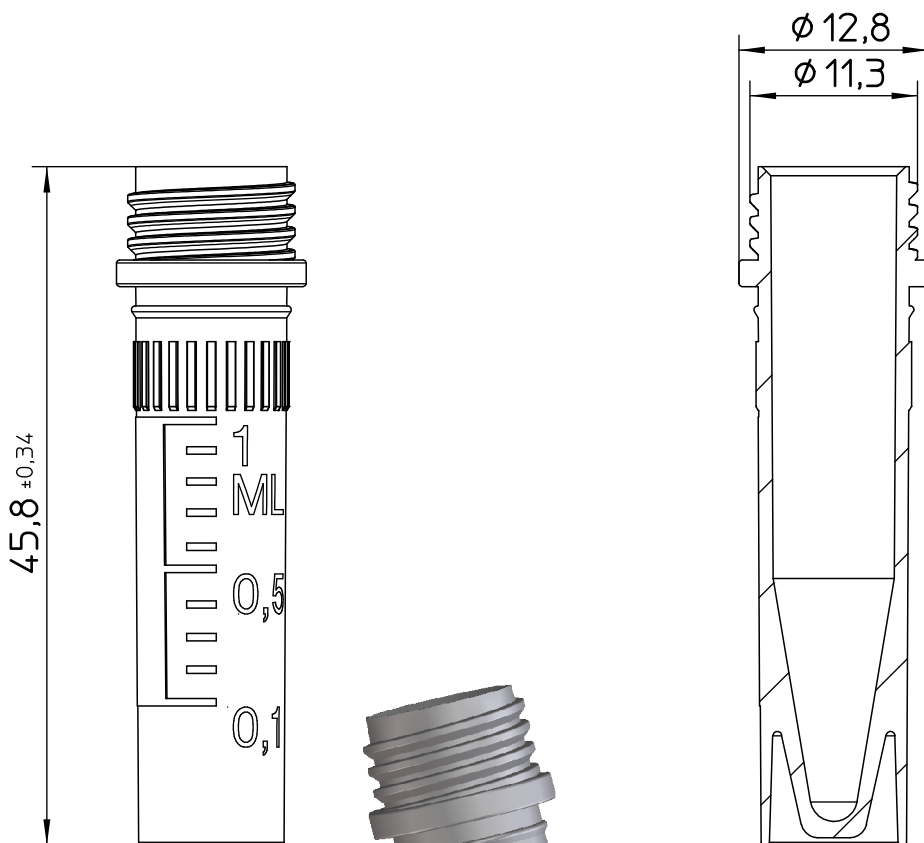


Valid for Item-No.: 717201, 717261, 717263, 717264, 717265, 717266, 717270



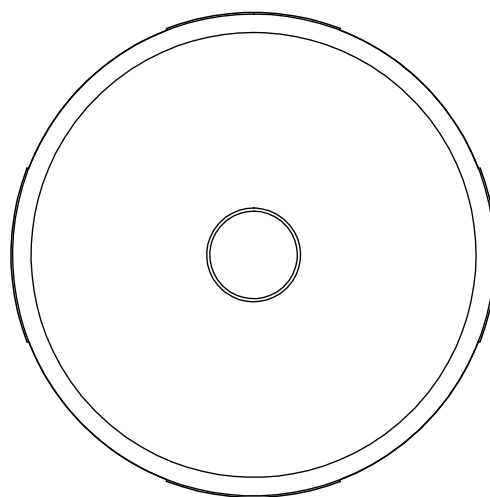
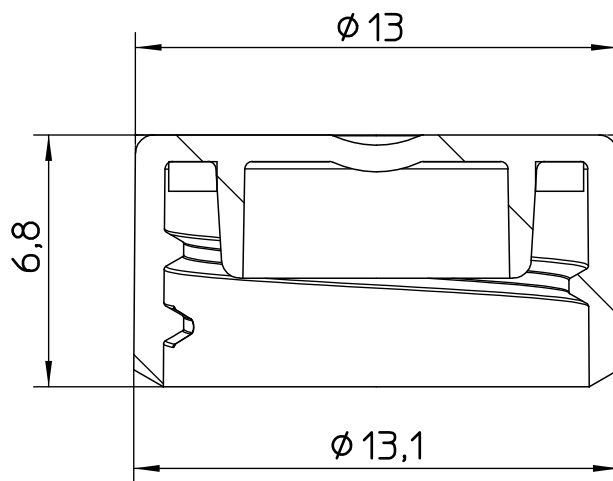
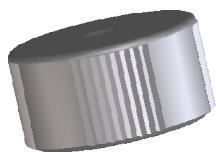
"All dimensions in mm"

Customer drawing subject to change without notice!

Uncontrolled Copy

Prior Issue	Drawn	Approved	Released	CONFIDENTIAL: Information contained in this document or drawing is confidential and proprietary to Greiner Bio-One GmbH. This document may not be reproduced for any reason without written permission from Greiner Bio-One GmbH. All rights of design, invention, and copyright are reserved.
Revision	Date	Date	Date	
5	2012/05/09	2022/01/24	2022/02/17	
Date	Name	Name	Name	
2017/03/01	forb	forb	schwarzj	

Valid for Item-No.: 717201, 717261, 717263, 717264, 717265, 717266, 717270



"All dimensions in mm"

Customer drawing subject to change without notice!

Uncontrolled Copy

Prior Issue	Drawn	Approved	Released	CONFIDENTIAL: Information contained in this document or drawing is confidential and proprietary to Greiner Bio-One GmbH. This document may not be reproduced for any reason without written permission from Greiner Bio-One GmbH. All rights of design, invention, and copyright are reserved.
Revision	Date	Date	Date	
5	2012/05/09	2022/01/24	2022/02/17	
Date	Name	Name	Name	
2017/03/01	forb	forb	schwarzj	